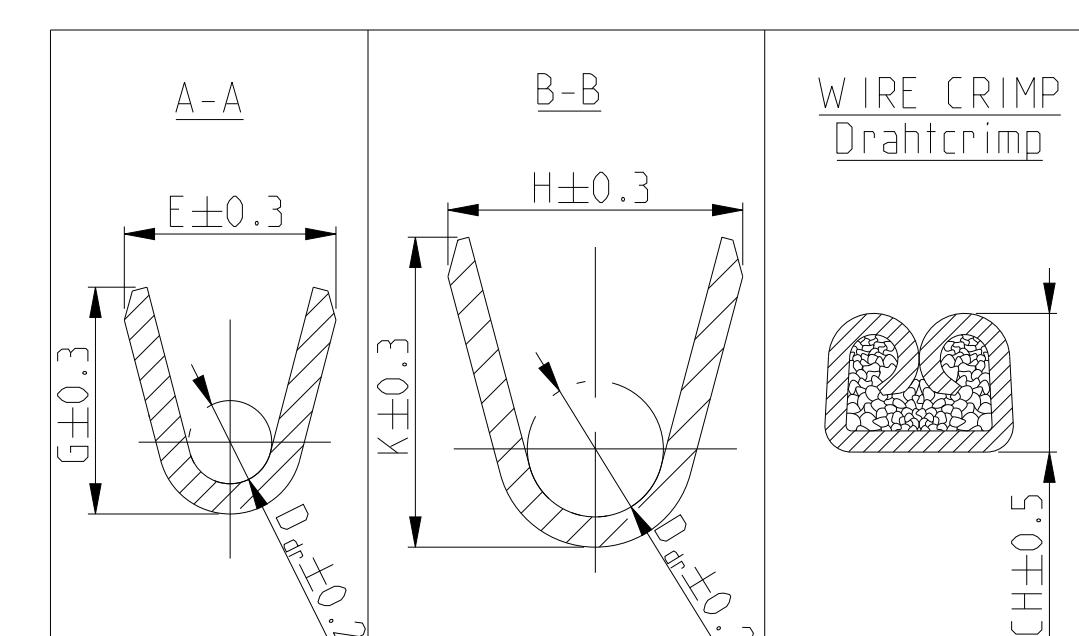
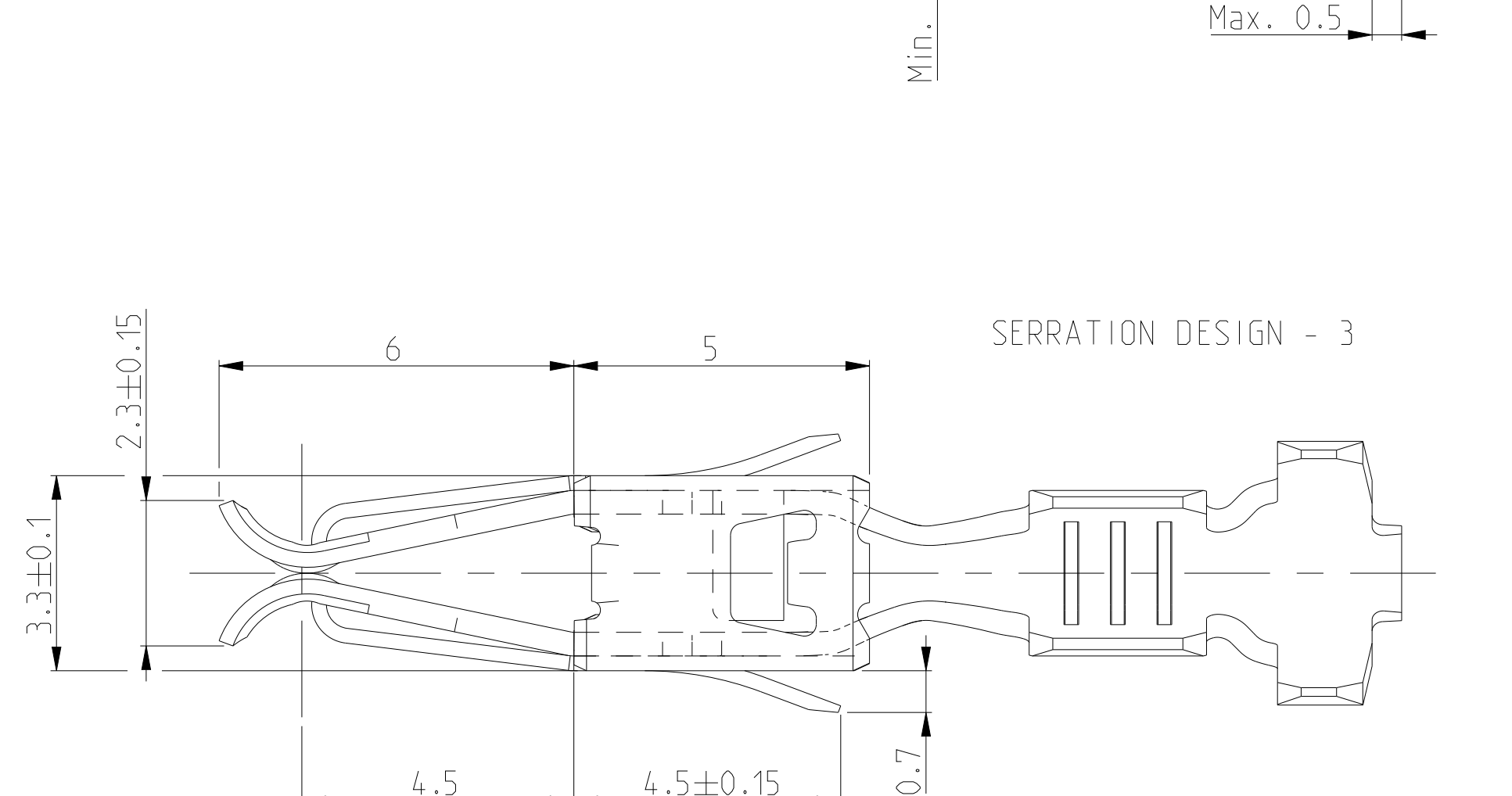
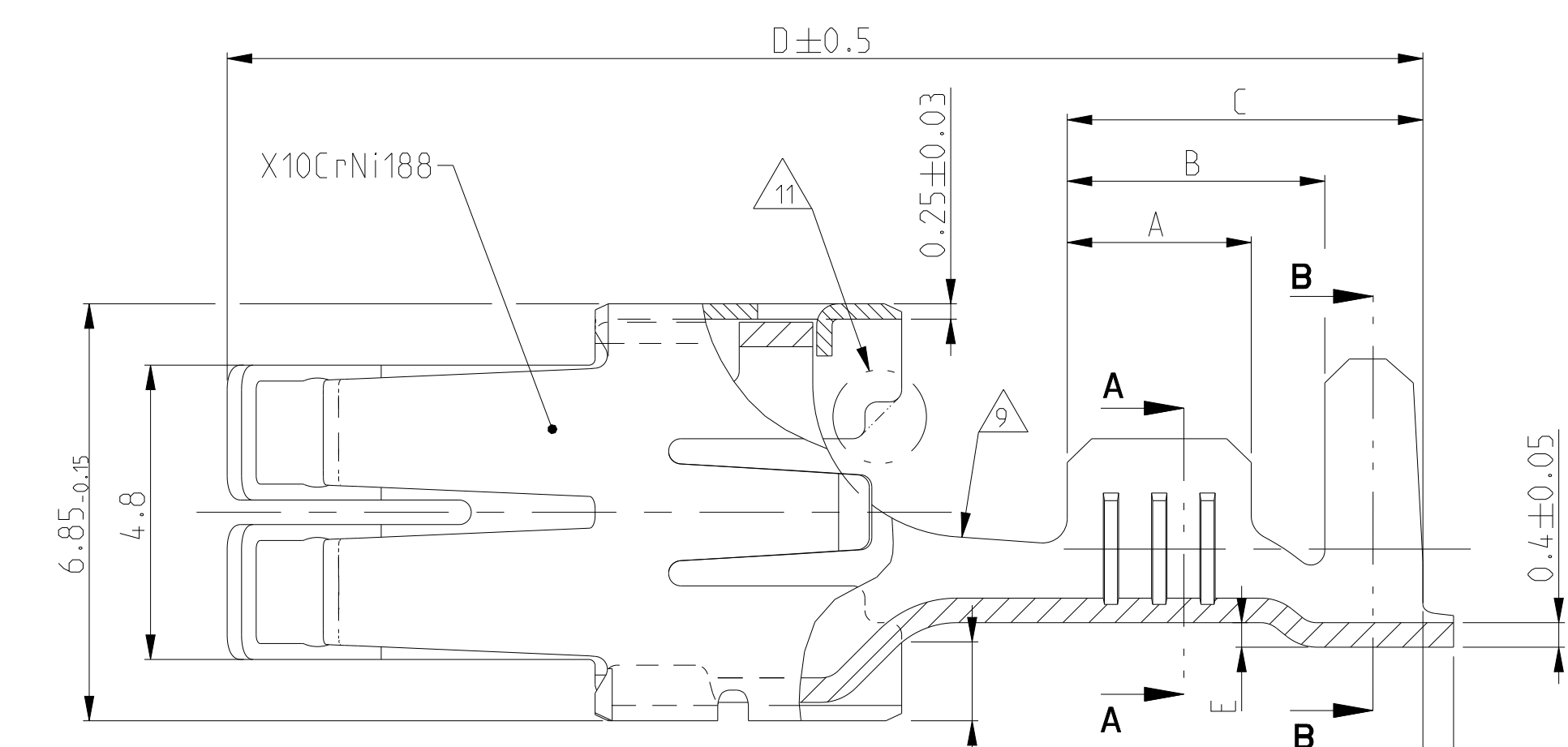


REV	DATE	APPD	DESCRIPTION
B10	26FEB2021	JJM	ADDED NEW PN 1862029-5 DETAILS IN BOM
B11	19MAY2021	JJM	REFER PCN: E-21-005125
B12	27MAY2021	JJM	CORRECTION INSUL-HEIGHT FOR PN 1862029-5
B13	08SEP2021	KMD	REVISION MISMATCH RESOLVED

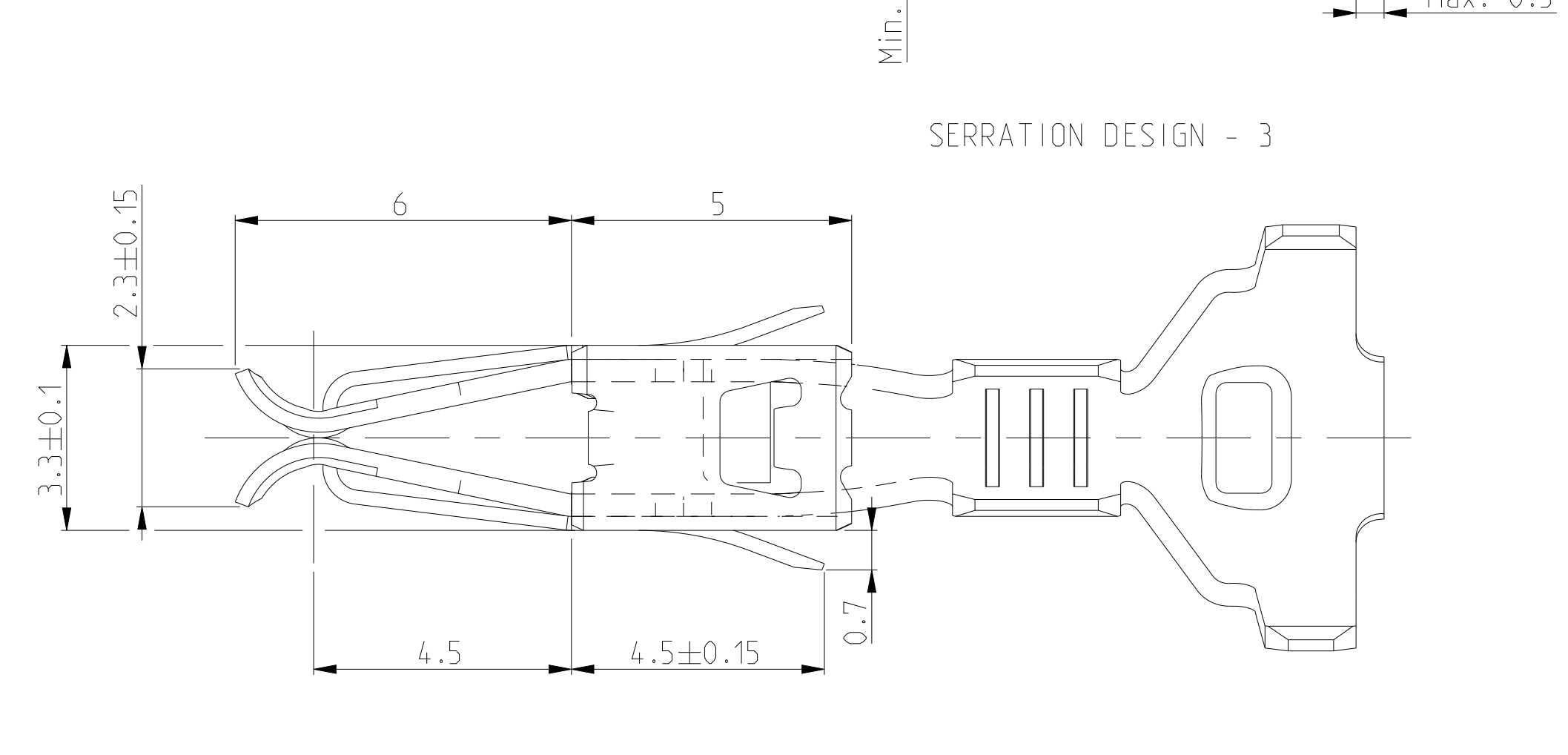
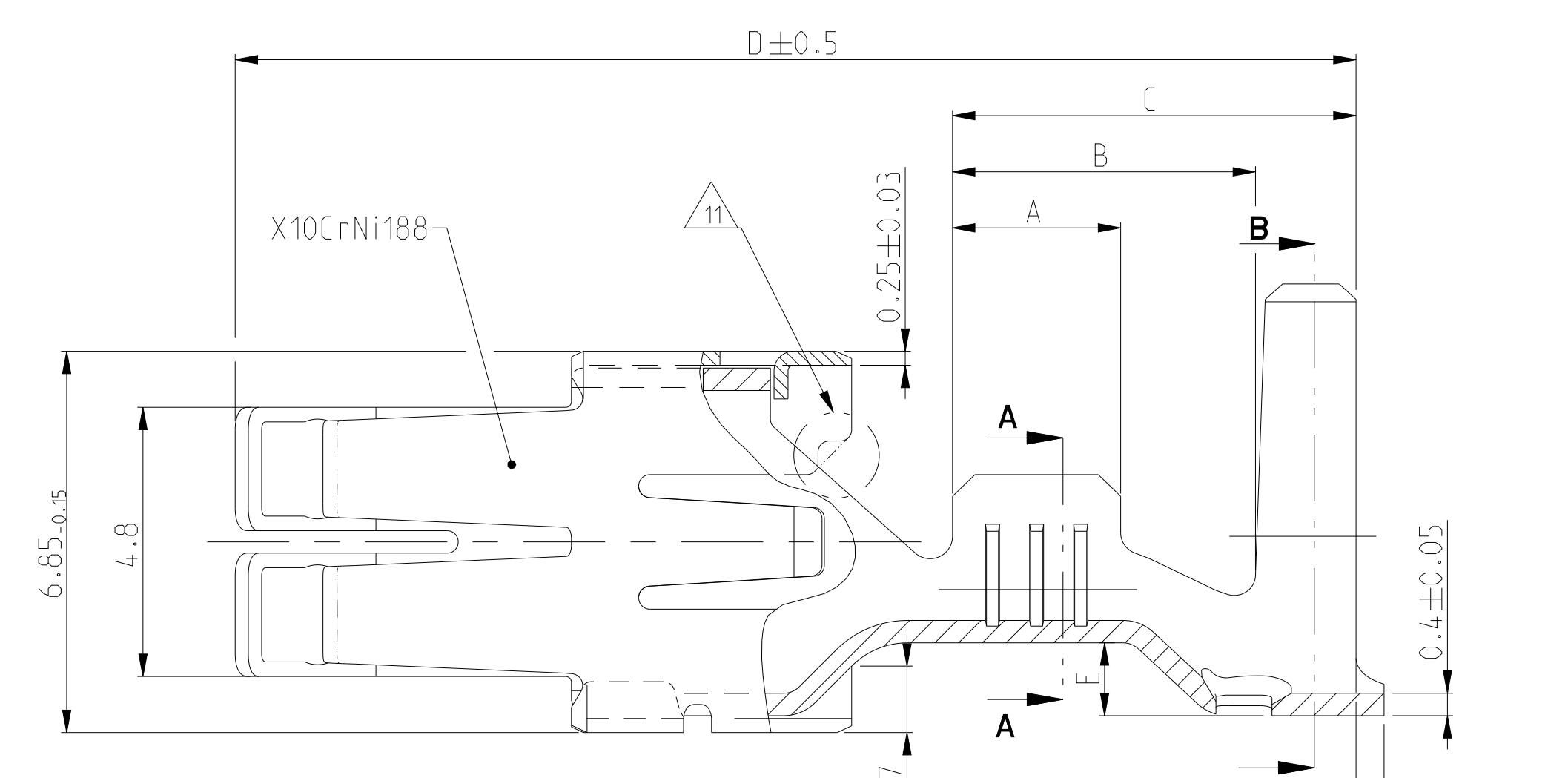


TE ORDER NO.	TE ORDER NO.	TE ORDER NO.	TE ORDER NO.	TE ORDER NO.	TE ORDER NO.	TE ORDER NO.	TE ORDER NO.	MATERIAL	SURFACE	VERSION A	CRIMP DIMENSIONS (mm)	EXTRACTION TOOL	HAND TOOL	TE CONNECTIVITY ORDER NO.						
-	-	-	-	-	-	-	-	CuFe2	PRESILVERED vorversilbert	0.35 - 0.5 FLR	E = 2.37 G = 2.45	H = 2.8 K = 3.1	0.5mm² = 1.14 0.35mm² = 1.09	MQC- Applicator 2837770-2	2.5	3.8	6.6	19.5	0.3	
-	-	-	-	-	-	-	-	-	-		0.35 - 0.5 FLU	D _W = 0.8	D _W = 1.4	0.5mm² = 1.14 0.35mm² = 1.09	-	-	-	-	-	-
-	-	-	-	-	-	-	-	-	-		0.2 - 0.5 FLK	E = 2.2 G = 2.2	H = 3.7 K = 3.8	0.20mm² = 1.15 0.35mm² = 1.19	MQC- Applicator 878426-2	2.5	3.8	6.6	19.5	0.3
927839-2	927839-1	927827-2	927827-1	927833-5	927833-2	927833-1	927833-1	CuSn4 CuFe2	PRETINNED vorverzint	0.5 - 1.0 FLK	E = 2.8 G = 3.0 D _W = 1.1	H = 4.5 K = 4.7 D _W = 2.4	0.5mm² = 1.38 0.75mm² = 1.47 1.0mm² = 1.56	MQC- Applicator 2-541689-2	3	4.2	5.8	19.5	0.4	
-	-	-	-	-	-	-	-	-	-		>1.0 - 2.5 FLK	E = 3.8 G = 4.1 D _W = 1.6	H = 5.7 K = 5.8 D _W = 3.6	1.5mm² = 1.76 2.0mm² = 1.90 2.5mm² = 2.04	MQC- Applicator 878367-2	3.5	4.7	6.3	19.5	0.4
927824-2	927824-1	927837-5	927837-5	927837-5	927837-4	927837-4	927837-2	CuSn4 CuFe2	PRETINNED vorverzint		>2.5 - 4.0 FLK	E = 4.6 G = 4.8 D _W = 2.4	H = 6.3 K = 6.6 D _W = 4.0	3.0mm² = 2.13 3.5mm² = 2.24 4.0mm² = 2.35	MQC- Applicator 2-878314-2	4	5.2	6.8	19.5	0.6
927824-1	927824-1	927837-5	927837-5	927837-5	927837-4	927837-4	927837-2	CuSn4 CuFe2	PRETINNED vorverzint		4.0 - 6.0 FLK	E = 5.2 G = 5.5	H = 7.3 K = 7.6	4.0mm² = 2.17 5.0mm² = 2.36 6.0mm² = 2.55	MQC- Applicator 2-878738-2	4.2	5.6	7.7	20	0.6
1241818-5	1241818-1	927840-5	927840-4	927840-2	927840-1	927840-1	927831-5 927831-4	CuFe2 CuFe2 CuSn4	vorverzint PRETINNED vorversilbert PRESILVERED	0.2 - 0.5 FLR	E = 2.2 G = 2.2	H = 2.8 K = 2.8	0.2mm² = 1.13 0.35mm² = 1.19	MQC- Applicator 878427-2	2.5	3.8	6.6	19.5	0.3	
1241818-5	1241818-1	927840-5	927840-4	927840-2	927840-1	927840-1	927831-5 927831-4	CuFe2 CuFe2 CuSn4	vorverzint PRETINNED vorversilbert PRESILVERED	0.5 - 1.0 FLR	E = 2.8 G = 3.0	H = 3.9 K = 4.1	0.5mm² = 1.43 0.75mm² = 1.52	MQC- Applicator 878328-2	3	4.2	5.8	19.5	0.4	
927829-5	927829-5	927837-6	927837-6	927837-5	927837-4	927837-4	927837-2	CuSn4 CuFe2	vorverzint PRETINNED		>1.0 - 2.5 FLR	E = 3.8 G = 4.1	H = 4.8 K = 4.9	1.25mm² = 1.69 1.5mm² = 1.76 2.0mm² = 1.90 2.5mm² = 2.04	MQC- Applicator 878356-2	3.5	4.7	6.3	19.5	0.4
927829-5	927829-2	927837-2	927837-1	927837-1	927837-1	927837-1	927837-1	CuSn4 CuFe2	vorverzint PRETINNED	>2.5 - 4.0 FLR	E = 4.6 G = 4.8	H = 5.5 K = 5.7	3.0mm² = 2.13 3.5mm² = 2.24 4.0mm² = 2.35	MQC- Applicator 2-878384-2	4	5.2	6.8	19.5	0.6	

VERSION A (UNSEALED / ungedichtet)



VERSION B (SINGLE WIRE SEAL / Einzel-Dichtungs-System)



TE ORDER NO.	TE ORDER NO.	TE ORDER NO.	TE ORDER NO.	TE ORDER NO.	TE ORDER NO.	TE ORDER NO.	TE ORDER NO.	MATERIAL	SURFACE	VERSION B	CRIMP DIMENSIONS (mm)	EXTRACTION TOOL	HAND TOOL	TE CONNECTIVITY ORDER NO.								
2-927836-2	927836-2	927836-1	927836-1	2-927835-2	2-927835-1	1-927835-3	927835-2	CuSn4 CuFe2	vorverzint PRETINNED	0.5 - 1.0 FLR	E = 2.8 G = 3.0 D _W = 1.1	H = 7.6 K = 7.7 D _W = 5.6	0.5mm² = 1.43 0.75mm² = 1.52 1.0mm² = 1.61	MQC- Applicator 878337-2	3	5.4	7.2	20	1.25	963243-1 963244-1	100132-1	
-	-	-	-	-	-	-	-	-	-		>1.0 - 2.5 FLR	E = 3.8 G = 4.1 D _W = 1.6	H = 7.6 K = 7.7 D _W = 5.6	1.5mm² = 1.76 2.0mm² = 1.90 2.5mm² = 2.04	MQC- Applicator 878338-2	3.5	5.9	7.7	20	1.25	963244-1 963245-1	100132-1
2-928966-2	2-928966-1	1-928966-3	928966-2	928966-1	928966-1	1241962-1	928966-1	CuSn4 CuFe2	vorverzint PRETINNED		>2.5 - 4.0 FLR	E = 4.6 G = 4.8 D _W = 2.4	H = 7.6 K = 7.7 D _W = 5.6	3.0mm² = 2.13 4.0mm² = 2.35	MQC- Applicator 878441-2	4	5.9	7.7	20	1.25	963245-1	100132-1
-	-	-	-	-	-	-	-	-	-	>3.0 - 5.0 FLR	E = 4.8 G = 5.2 D _W = 2.5	H = 8.15 K = 7.8 D _W = 6.0	3.0mm² = 2.25 4.0mm² = 2.50 5.0mm² = 2.75	MQC- Applicator -	4	5.9	7.7	20	1.25	967011-1 963245-1	100132-1	

CONTACT ZONE SELECTIVE
PRE SILVER PLATED MIN 3-4.5 μm
Kontaktzone selektiv vorversilbert min. 3-4.5 μm

CONTACT ZONE SELECTIVE
PRE SILVER PLATED MIN 1-1.5 μm
Kontaktzone selektiv vorversilbert min. 1-1.5 μm

CONTACT BODY: ELECTRO TIN PLATED OVER NICKEL
CONTACT AREA: GOLD PLATED
Kontaktkoerper: gal. verzint ueber Nickel
Kontaktzone: vergoldet

CONTACT BODY: ELECTRO TIN PLATED OVER NICKEL
CONTACT AREA: SELECTIVE NICKEL PLATED 2-4 μm
Kontaktkoerper: gal. verzint ueber Nickel
Kontaktzone: selektiv vernickelt 2-4 μm

CONTACT BODY: ELECTRO TIN PLATED OVER NICKEL
TOUCHING AREA TO CANTILEVER SPRING AND CONTACT AREA
SELECTIVE AU PLATED OVER NICKEL
CANTILEVER SPRING: COMPLETELY AU PLATED
Kontaktkoerper: gal. verzint ueber Nickel
Anlageflaeche zur Ueberfeder Kontaktzone selektiv Au ueber Ni beschichtet
Ueberfeder: komplett Au beschichtet

PRE-FORM ISO-AREA
ONLY FOR PN: 1241962-1
Isoflanken vorgeformt nur bei PN: 1241962-1

WRAP CRIMP
ONLY FOR PN: 927839, 927840, 928989 AND 928990
Umfassungscrimp nur bei PN: 927839, 927840, 928989 und 928990

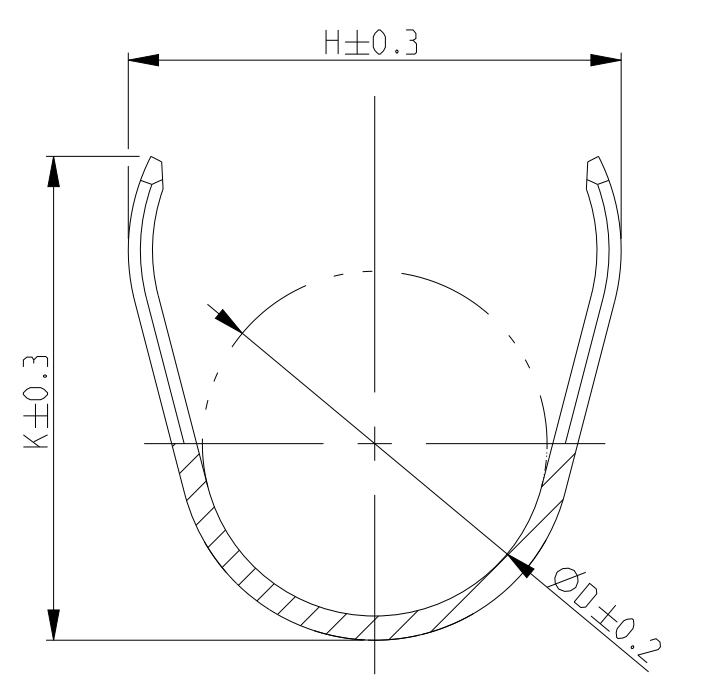
TRANSITION ONLY FOR PN 927827, 927828, 927829, 927830, 927833, 927834, 927837 AND 927838
Uebergang nur fuer PN 927827, 927828, 927829, 927830, 927833, 927834, 927837 und 927838

1-3 μm Sn28M LAYER FOR HIGHER TEMPERATURE REQUIREMENTS
1-3 μm Sn28M Schicht fuer hoehere Temperaturanforderungen

DOTTED LINE IS ALTERNATIVE SHAPE
Gestrichelte Linie alternative Form

OBSELETE

SEE APPLICATION SPEC. FOR PREFERRED STANDARD TO MEET NEW REQUIREMENT
LV214-2 SLOW MOTION BENDING TEST
Siehe Verarbeitungs Spezifikation fuer bevorzugten Standard um den neuen Anforderungen der LV214-2 Slow Motion Pruefung zu genuegen



THIS DRAWING IS A CONTROLLED DOCUMENT. DIMENSIONS AND TOLERANCES PER ISO STANDARDS.	DATE: 20210706 REV: 01	TE CONNECTIVITY STANDARD POWER TIMER CONTACT Standard Power Timer Kontakt	SIZE: 10.1 SCALE: 1:1	RESTRICTION: 13
----------------------------------------------------------------------------------------	---------------------------	---------------------------------------------------------------------------------	--------------------------	-----------------

X-ON Electronics

Largest Supplier of Electrical and Electronic Components

Click to view similar products for [Automotive Connectors](#) category:

Click to view products by [TE Connectivity](#) manufacturer:

Other Similar products are found below :

[003-018-000](#) [60403001](#) [60993906-B](#) [M902-2131](#) [M902-2161](#) [M902-2344](#) [72.330.1035.1](#) [73.353.4028.0](#) [F119300-B](#) [F166900](#) [F258300-B](#)
[F358300-B](#) [F407400](#) [F444110](#) [F487000](#) [F509500B-B](#) [827153-1](#) [8N1515-32-24P](#) [9-1326729-8](#) [925474-1](#) [928905-1](#) [964562-4](#) [968782-1](#)
[GT17SA-8DS-HU](#) [98891-1012](#) [98947-1016](#) [12004147](#) [12004475-L](#) [12010290](#) [12010309-B](#) [12015454](#) [12020219-B](#) [12041318-B](#) [12052225-](#)
[L](#) [12052466](#) [12064869](#) [12004327-B](#) [12015308](#) [12015384](#) [12015909](#) [1-21030-1](#) [12041254](#) [12041318](#) [12047946-B](#) [12047957](#) [12047957-L](#)
[12059473](#) [12066261](#) [12110546](#) [12110546-B](#)