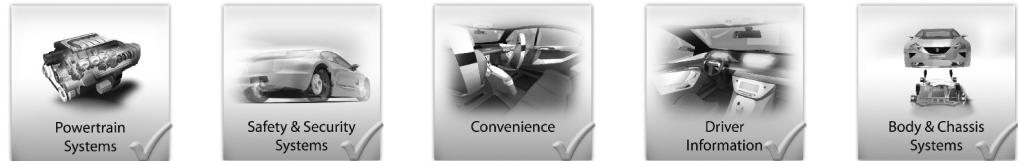
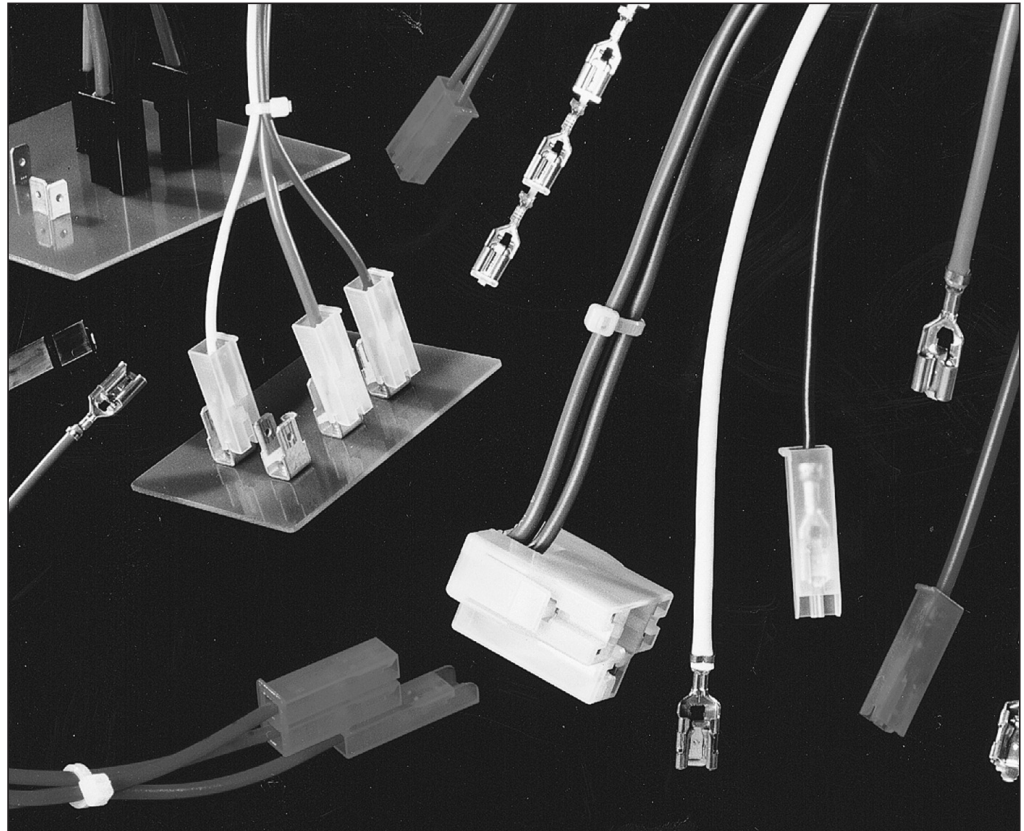


Introduction



**Designed to Meet  
Strong Vibration and  
Mechanical Strain**



Originally designed to meet the requirements of automobile production, this connector finds applications in any product where strong vibration and mechanical strain are present.

The contact can be mated easily, simultaneously creating a good mechanical locking force. The contact will not separate by a pull on the wire.

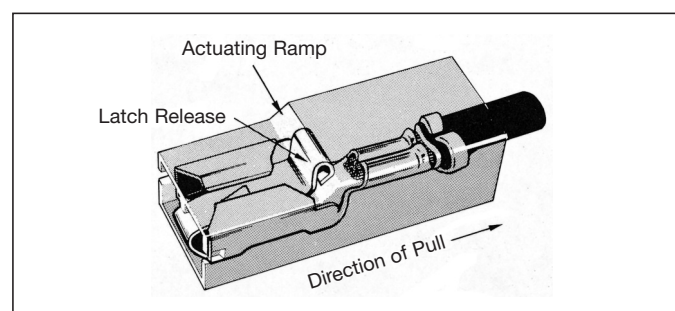
When the receptacle housing is pulled deliberately, an internal ramp designed into the housing engages with the spring member, depressing it, thus releasing the lock. The tabs must be in accordance with DIN 46244.

The simple construction of the single housings allow them to be adapted to multi-position housings with almost all contact arrangements in the mating area according to DIN.

Positive Lock receptacles are specifically designed to provide ease of assembly and secure retention to mating tabs.

These unique features are attainable by the reduced insertion force of the product and the locking dimple.

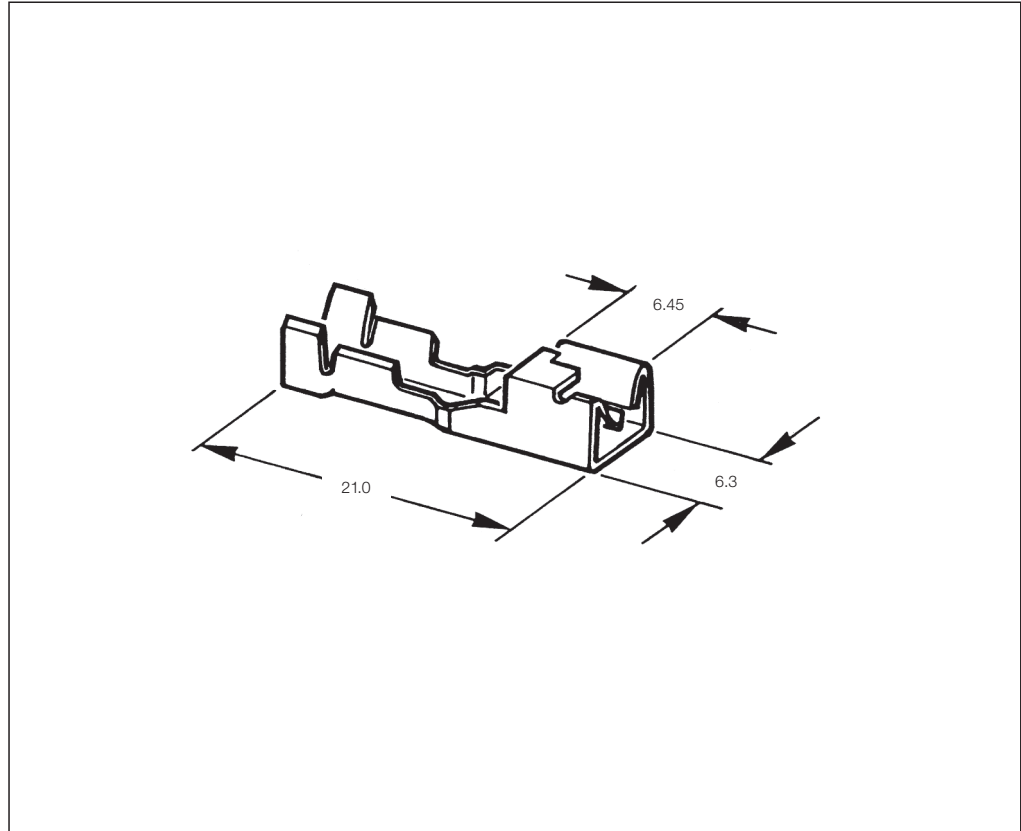
The receptacle locks onto mating tabs containing holes and is removable only by deflecting an integrally designed depressor prior to withdrawal.



Receptacle Contacts

**Receptacle Contact,  
Mates with Tab Contacts**

Extraction Tool:  
Part No. 484127-1



**Receptacle Contacts**

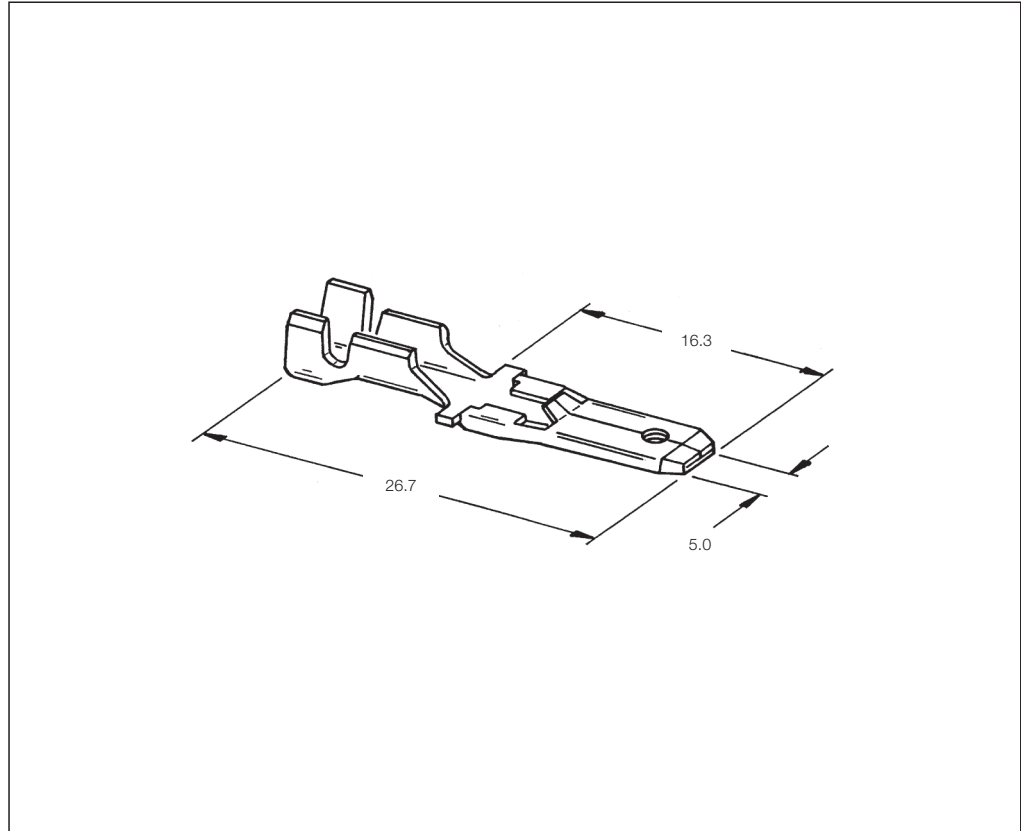
Wire Size Range	Insulation Diameter		Material and Finish	Part Numbers				Applicator*	Hand Tool
	FLK	FLR		Strip Form	Package Quantity	Loose-Piece	Package Quantity		
mm <sup>2</sup> (AWG)	mm (Inch)	mm (Inch)							
0.35-1.00 (22-17)	1.3-2.0 (.051-.079)	-	CuZn, plain	141991-1	10,000			1529066	825514-1
			CuZn, post tinned	141991-2	5,000	-	-		
			CuZn, pre-tin plated	141991-3	5,000				
1.0-3.0 (17-12)	2.0-3.2 (.079-.126)	-	CuZn, plain	141992-1	15,000	-	-	1529037	825514-1
			CuZn, post tinned	141992-2	15,000	-	-		
			CuZn, pre-tin plated	141992-3	4,000	737314-3	-		
3.0-5.0 (12-10)	4.9 max. (.193 max.)	-	CuZn, post tinned	141993-2	10,500			on request	825514-1
			CuZn, pre-tin plated	141993-3	2,500				

\* Applicators are application specific, consult TE Connectivity for details.

Tab Contacts

**Tab Contact,  
Mates with  
Receptacle Contacts**

**Extraction Tool:  
Part No. 484127-1**



**Tab Contacts**

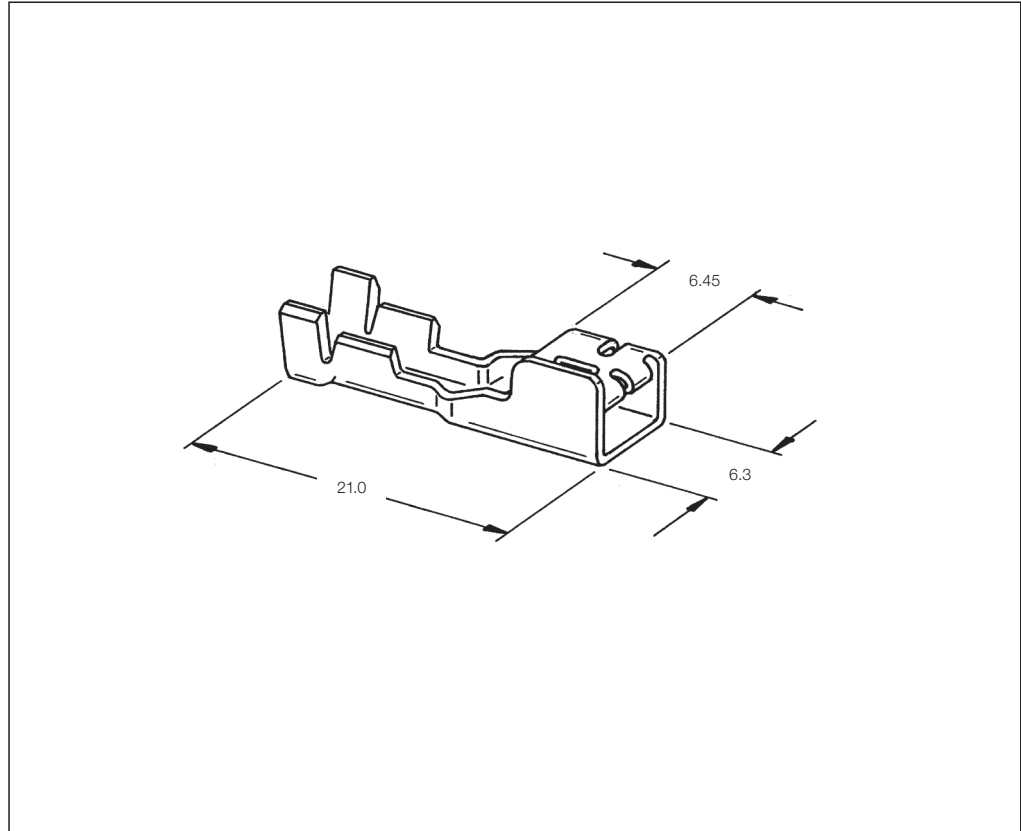
Wire Size Range	Insulation Diameter		Material and Finish	Part Numbers				Applicator ♦	Hand Tool
	FLK	FLR		Strip Form	Package Quantity	Loose-Piece	Package Quantity		
mm <sup>2</sup> (AWG)	mm (Inch)	mm (Inch)							
0.35–1.00 (22–17)	1.2–2.1 (.047–.083)	–	CuZn, pre-tin plated	142087-2	5,500	142218-1	500	1339508	
1.0–3.0 (17–12)	2.1–3.1 (.083–.122)	–	CuZn, plain	142089-1	–	–	–	1529004	825514-1
			CuZn, pre-tin plated	142089-2	5,000	142219-1	500		
3.0–5.0 (12–10)	4.9 max. (.193 max.)	–	CuZn, pre-tin plated	142091-2	10,500	737316-2	–	on request	

♦) Applicators are application specific, consult TE Connectivity for details.

Receptacle Contacts

**Receptacle Contact,  
Mates with Tab Contacts**

Extraction Tool:  
Part No. 484127-1



**Receptacle Contacts**

Wire Size Range	Insulation Diameter		Material and Finish	Part Numbers				Applicator ♦	Hand Tool
	FLK	FLR		Strip Form	Package Quantity	Loose-Piece	Package Quantity		
mm <sup>2</sup> (AWG)	mm (Inch)	mm (Inch)							
0.35–1.00 (22–17)	1.0–2.0 (.039–.079)	–	CuSn, plain	142685-1	12,000	–	–	1529066	–
			CuSn, pre-tin plated	142685-2	–				
1.0–3.0 (17–12)	2.0–3.2 (.079–.126)	–	CuSn, plain	142686-1	10,500	–	–	1529037	–
			CuSn, pre-tin plated	142686-2	10,000				

♦) Applicators are application specific, consult TE Connectivity for details.

90° Receptacle Contacts (Flag Type)

**Technical Features**

**Wire Size Range:**

0.5 to 1.5 mm<sup>2</sup>  
1.0 to 2.5 mm<sup>2</sup>

**Current Carrying Capacity:**

up to 25 A

**Insertion Force:**

approx. 27 N

**Extraction Force,  
Latch Release Ineffective:**

approx. 7 N

**Material Thickness:**

0.4 mm

**Extraction Force,  
Latch Release Effective:**

≥ 100 N (without vibration)

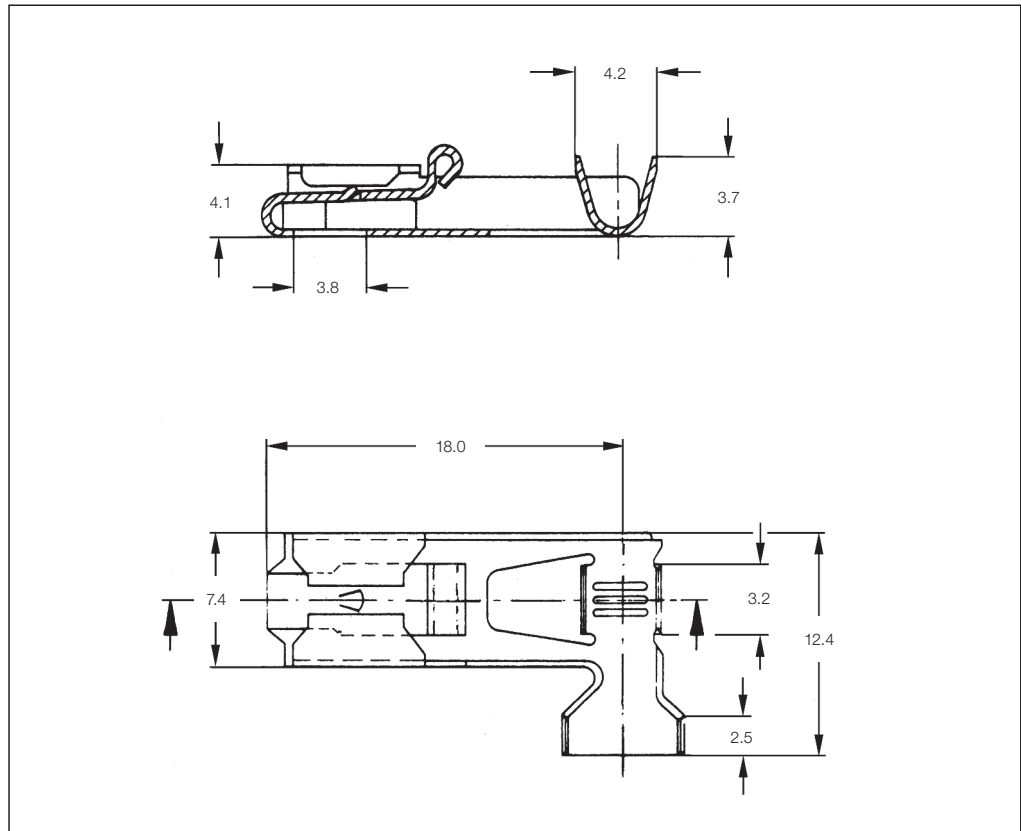
**Contact Material:**

Brass or phosphor bronze

**Contact Finish:**

plain, tin plated or silver plated

**Special Materials and Finishes  
available on request.**



**90° Receptacle Contacts (Flag Type)**

Wire Size Range	Insulation Diameter		Material and Finish	Part Numbers				Applicator*	Hand Tool
	FLK	FLR		Strip Form	Package Quantity	Loose-Piece	Package Quantity		
mm <sup>2</sup> (AWG)	mm (Inch)	mm (Inch)							
0.5–1.5 (20–15)	2.2–3.1 (.087–.122)	–	CuSn, pre-tin plated	926820-1	2,000				
			CuSn, plain	926820-2	2,000				
			CuSn, tin plated	926820-3	2,000				
			CuZn, pre-tin plated	926820-4	2,000	–	–	on request	–
			CuZn, plain	926820-5	2,000				
			CuZn, tin plated	926820-6	8,000				
			CuSn, silver plated	926820-8	2,000				
1.0–2.5 (17–13)	3.1–4.3 (.122–.170)	–	CuSn, pre-tin plated	926790-1	2,000				
			CuSn, plain	926790-2	–				
			CuSn, tin plated	926790-3	2,000				
			CuZn, pre-tin plated	926790-4	2,000	–	–	on request	734187-1
			CuZn, plain	926790-5	2,000				
			CuZn, tin plated	926790-6	8,000				

\* Applicators are application specific, consult TE Connectivity for details.

180° Receptacle Contacts

**Technical Features**

**Wire Size Range:**

0.5 to 1.5 mm<sup>2</sup>  
2.5 to 4.0 mm<sup>2</sup>  
4.0 to 6.0 mm<sup>2</sup>

**Current Carrying Capacity:**

up to 25 A

**Insertion Force:**

approx. 27 N

**Extraction Force,  
Latch Release Ineffective:**

approx. 7 N

**Material Thickness:**

0.4 mm

**Extraction Force,  
Latch Release Effective:**

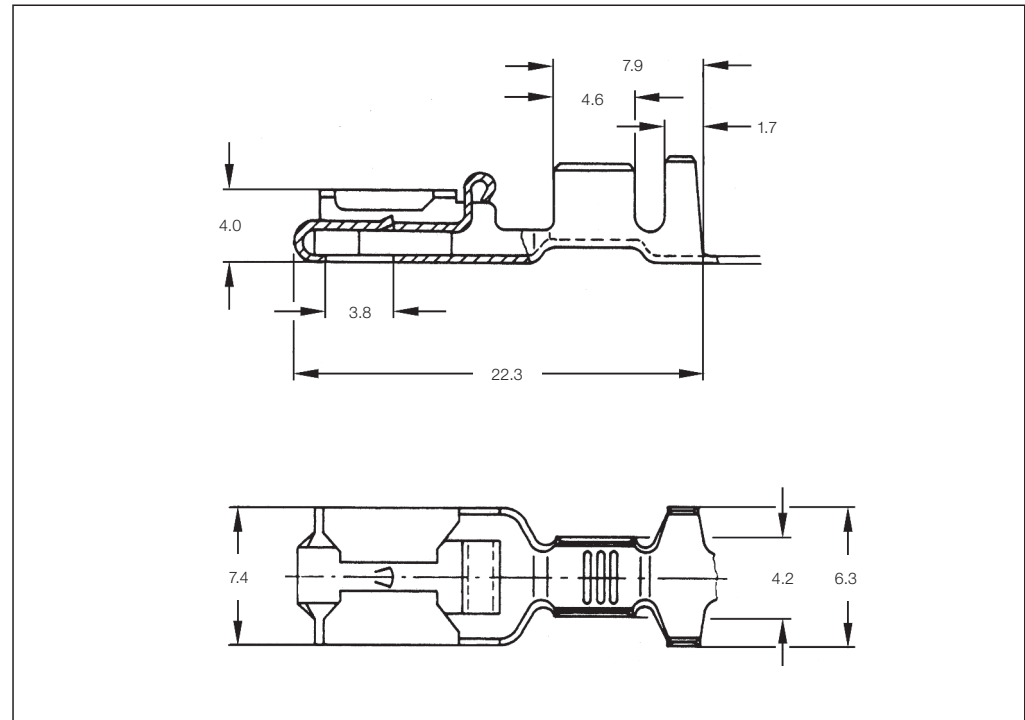
≥ 100 N (without vibration)

**Contact Material:**

Brass or phosphor bronze

**Contact Finish:**

plain, tin plated, nickel plated or  
silver plated



**Special Materials and Finishes**  
available on request.

**Pneumatic Tooling Machine:**  
Part No. **656055-1**

**Crimping Head:**  
Part No. **656080-1** (for Wire Size Range 0.5–1.5 and 2.5–4.0 mm<sup>2</sup>)

**180° Receptacle Contacts**

Wire Size Range	Insulation Diameter		Material and Finish	Part Numbers			Applicator *	Hand Tool	
	FLK	FLR		Strip Form	Package Quantity	Loose-Piece			Package Quantity
mm <sup>2</sup> (AWG)	mm (Inch)	mm (Inch)							
0.5–1.0 (20–17)	2.0–3.3 (.079–.130)	–	CuZn, plain	927867-1	1,500	927868-1	–	on request	734372-1 with Die
			CuSn, plain	927867-2	1,500	927868-2	–		
			CuZn, pre-tin plated	927867-6	1,500	927868-6	500		
			CuSn, pre-tin plated	927867-7	1,500	927868-7	–		
			CuSn, silver plated	927867-8	1,500	927868-8	–		
			CuZn, silver plated	927867-9	1,500	927868-9	–		
0.5–1.0 (20–17)	–	1.4–2.3 (.055–.091)	CuZn, plain	927852-1	1,500	927853-1	1,300	1528098	2063527-1
			CuSn, plain	927852-2	1,500	927853-2	1,300		
			CuZn, pre-tin plated	927852-6	1,500	927853-6	500		
			CuSn, pre-tin plated	927852-7	1,500	927853-7	1,300		
			CuSn, silver plated	927852-8	1,500	927853-8	1,500		
			CuZn, silver plated	927852-9	1,500	927853-9	–		
0.5–1.5 (20–15)	2.3–3.3 (.091–.130)	–	CuZn, plain	160759-1	1,500	160773-1	500	1528000	654174-1
			CuSn, plain	160759-2	1,500	160773-2	500		
			CuZn, tin plated	160759-3	1,500	160773-3	500		
			CuSn, tin plated	160759-4	1,500	160773-4	500		
			CuZn, pre-tin plated	1-160759-1	1,500	160773-6	500		
			CuSn, pre-tin plated	1-160759-2	1,500	160773-7	500		

\* Applicators are application specific, consult TE Connectivity for details.

180° Receptacle Contacts (continued)

**180° Receptacle Contacts**

Wire Size Range	Insulation Diameter		Material and Finish	Part Numbers				Applicator *	Hand Tool
	FLK	FLR		Strip Form	Package Quantity	Loose-Piece	Package Quantity		
mm <sup>2</sup> (AWG)	mm (Inch)	mm (Inch)							
0.7–2.0 (18–14)	2.4–3.2 (.095–.126)	–	CuZn, plain	154718-1	1,500	341002-1	500	1528010	525651-0
			CuSn, plain	154718-2	1,500	341002-2	500		
			CuSn, tin plated	154718-4	1,500	–	–		
			CuZn, pre-tin plated	154718-6	1,500	341002-6	500		
			CuSn, pre-tin plated	154718-7	1,500	341002-7	500		
1.0–2.5 (17–13)	2.7–4.0 (.106–.157)	–	CuZn, plain	927881-1	1,500	927882-1	–	on request	734372-1 with Die
			CuSn, plain	927881-2	1,500	927882-2	–		
			CuZn, tin plated	927881-3	1,500	927882-3	–		
			CuSn, tin plated	927881-4	1,500	927882-4	–		
			CuSn, silver plated	927881-8	1,500	927882-8	1,200		
1.0–2.5 (17–13)	–	2.1–3.1 (.083–.122)	CuZn, plain	927854-1	1,500	927855-1	500	1528099	2063527-1
			CuSn, plain	927854-2	1,500	927855-2	–		
			CuZn, pre-tin plated	927854-6	1,500	927855-6	500		
			CuSn, pre-tin plated	927854-7	1,500	927855-7	500		
			CuSn, silver plated	927854-8	1,500	927855-8	500		
2.5–4.0 (13–11)	3.6–4.3 (.142–.170)	–	CuZn, plain	154717-1	1,500	341001-1	500	1528233	654174-1
			CuSn, plain	154717-2	1,500	341001-2	500		
			CuZn, tin plated	154717-3	1,500	341001-3	500		
			CuSn, tin plated	154717-4	1,500	–	–		
			CuZn, pre-tin plated	154717-6	1,500	–	–		
			CuSn, pre-tin plated	154717-7	1,500	–	–		
			CuSn, silver plated	154717-8	1,500	–	–		
2.5–4.0* (13–11)	3.3–4.7 (.130–.185)	–	CuZn, plain	928958-1	1,000	928959-1	–	1528485	2063571-1
			CuSn, plain	928958-2	1,000	928959-2	–		
			CuZn, pre-tin plated	928958-6	1,000	928959-6	–		
			CuSn, pre-tin plated	928958-7	1,300	928959-7	–		
			CuSn, silver plated	928958-8	1,000	928959-8	500		
4.0–6.0* (11–9)	4.0–5.3 (.157–.197)	–	CuZn, plain	928960-1	1,000	928961-1	–	1530127	2063571-1
			CuSn, plain	928960-2	1,000	928961-2	–		
			CuZn, pre-tin plated	928960-6	1,000	928961-6	500		
			CuSn, pre-tin plated	928960-7	1,000	928961-7	500		
			CuSn, silver plated	928960-8	1,000	928961-8	1,000		
4.0–6.0 (11–9)	3.4–5.1 (.134–.200)	–	CuZn, tin plated	790319-2	5,000	737015-2	–	1528526	525651-0
			CuZn, pre-tin plated	790319-3	1,250	737015-3	1,000		
			CuSn, plain	790319-4	1,250	737015-4	500		

\*) FLR Wire for Double Amplitude

♦) Applicators are application specific, consult TE Connectivity for details.

180° Receptacle Contacts

**Technical Features**

**Wire Size Range:**

0.5–5.63 mm<sup>2</sup> (AWG 20–10)

**Insertion Force:**

xxx-1 (Brass): 5.9–39 N

xxx-2 (Brass/Post Tin): 4.9–44 N

**Extraction Force:**

xxx-1 (Brass): 5.9–39 N

xxx-2 (Brass/Post Tin): 4.9–44 N

**Material Thickness:**

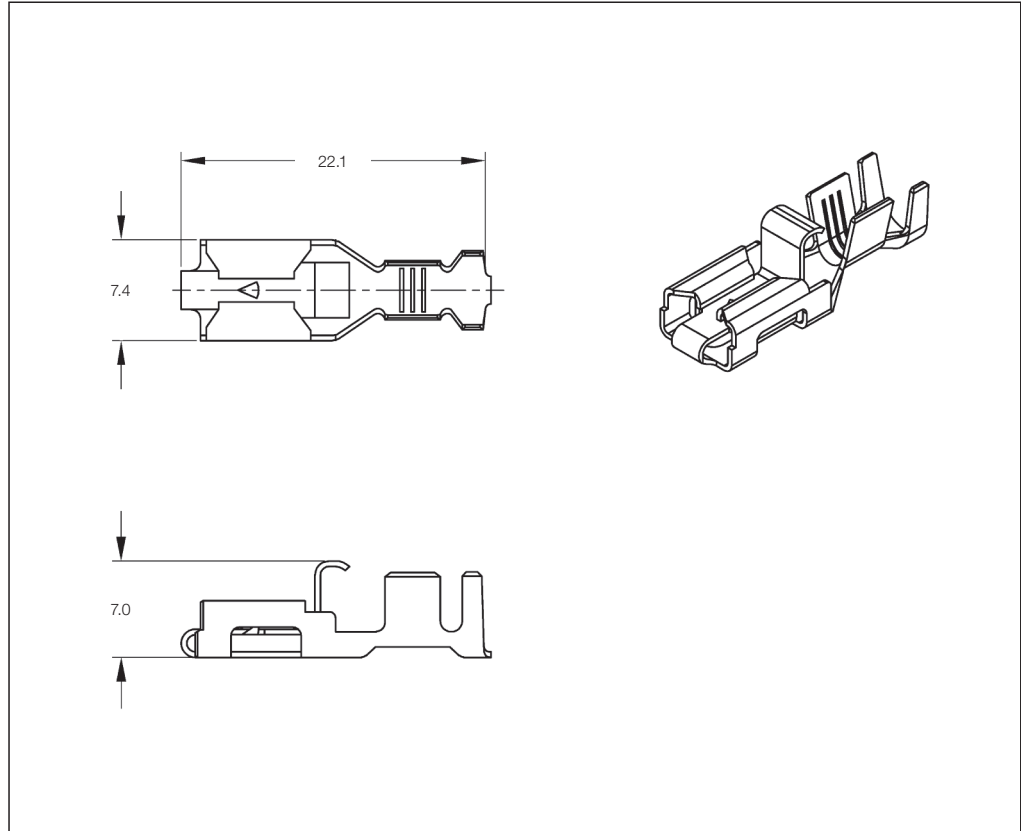
0.32 mm

**Contact Material:**

Brass

**Contact Finish:**

Tin plated



**180° Receptacle Contacts**

Wire Size Range	Insulation Diameter		Material and Finish	Part Numbers				Applicator ♦	Hand Tool
	FLK	FLR		Strip Form	Package Quantity	Loose-Piece	Package Quantity		
mm <sup>2</sup> (AWG)	mm (Inch)	mm (Inch)							
0.50–2.27 (20–14)	2.1–3.4 (.082–.133)	–	Brass	170233-1	12,000	170265-1	5,000	1528746	755342-1
			Brass/Post tin plated	170233-2	8,000	170265-2	5,000		
3.08–5.63 (12–10)	3.8–5.1 (.149–.200)	–	Brass	170234-1	12,000	170266-1	4,000	on request	723712-1
			Brass/Post tin plated	170234-2	8,000	170266-2	4,000		

♦) Applicators are application specific, consult TE Connectivity for details.



180° Receptacle Contacts

**Technical Features**

**Wire Size Range:**

0.5–5.63 mm<sup>2</sup> (AWG 20–10)

**Insertion Force:**

xxx-1 (Brass): 5.9–39 N  
xxx-2 (Brass/Post Tin): 4.9–44 N

**Extraction Force:**

xxx-1 (Brass): 5.9–39 N  
xxx-2 (Brass/Post Tin): 4.9–44 N

**Material Thickness:**

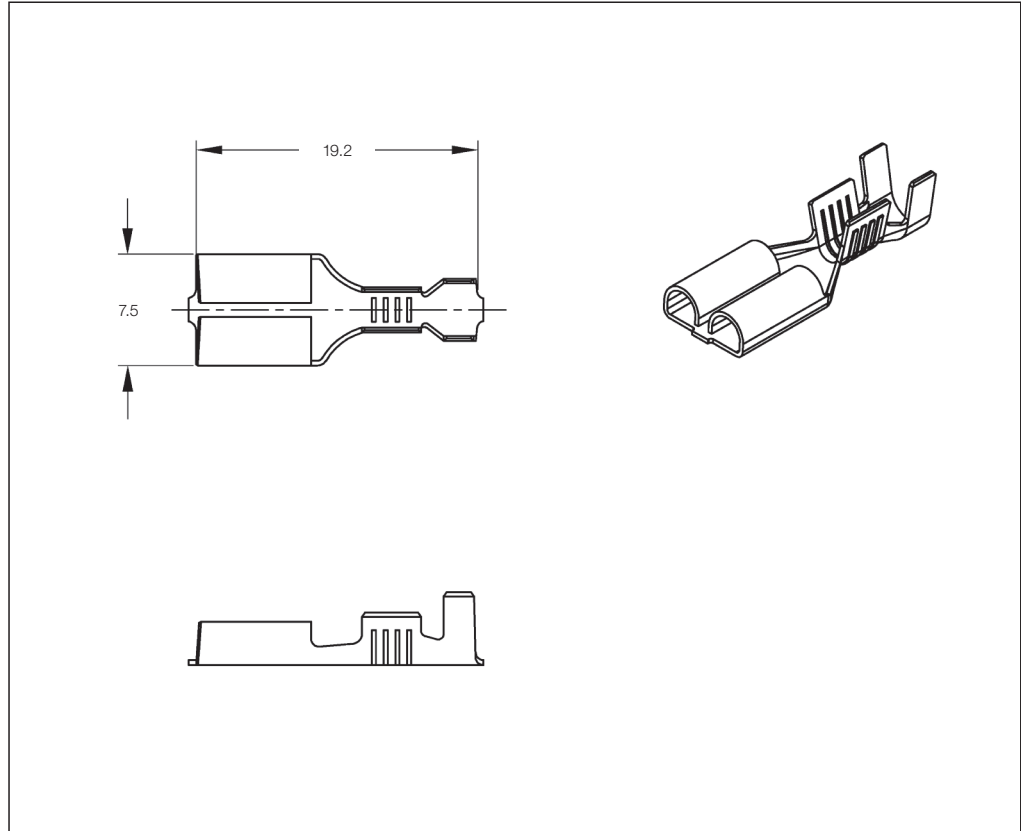
0.32 mm

**Contact Material:**

Brass

**Contact Finish:**

Tin plated



**180° Receptacle Contacts**

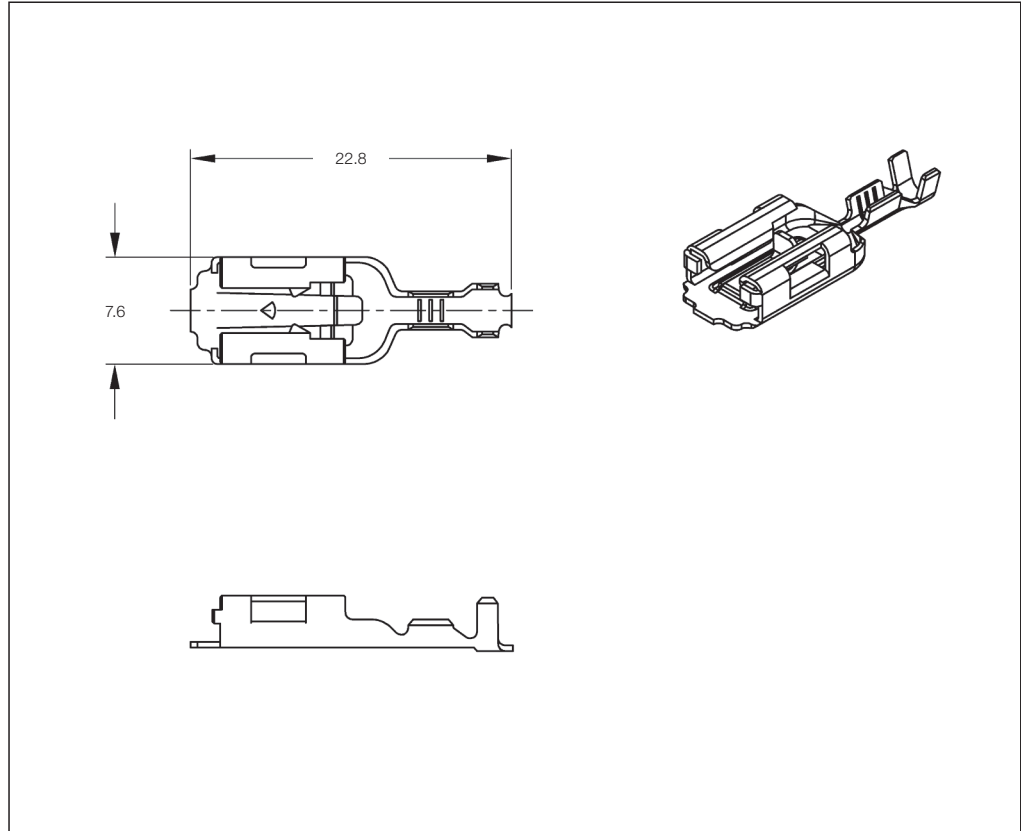
Wire Size Range	Insulation Diameter		Material and Finish	Part Numbers				Applicator ♦	Hand Tool
	FLK	FLR		Strip Form	Package Quantity	Loose-Piece	Package Quantity		
mm <sup>2</sup> (AWG)	mm (Inch)	mm (Inch)							
0.50–2.27 (20–14)	2.16–3.43 (.086–.133)	–	Brass	170032-2	18,000	–	–	1529072	934677-1
			Brass/Post tin plated	170032-5	18,000	179461-5	9,000		
2.00–3.37 (14–12)	2.9–3.8 (.114–.149)	–	Brass	170258-1	15,000	–	–	1529057	–
			Brass/Post tin plated	170258-2	15,000	–	–		

♦) Applicators are application specific, consult TE Connectivity for details.

180° Receptacle Contacts – Mark II, Heavy Duty Type

**Technical Features**

- Wire Size Range:**  
0.3–5.27 mm<sup>2</sup> (AWG 22–10)
- Insertion Force:**  
49 N Max.
- Extraction Force:**  
9.8 N Min.
- Material Thickness:**  
0.406 mm
- Contact Material:**  
Brass
- Contact Finish:**  
See table



**180° Receptacle Contacts**

Wire Size Range	Insulation Diameter		Material and Finish	Part Numbers				Applicator ♦	Hand Tool
	FLK	FLR		Strip Form	Package Quantity	Loose-Piece	Package Quantity		
mm <sup>2</sup> (AWG)	mm (Inch)	mm (Inch)							
0.30–0.56 (22–20)	1.5–2.4 (.058–.094)	–	Brass	170452-1	15,000	–	–	1529158	752872-1
			Brass/Pre-tin plated	170452-2	15,000	–	–		
0.75–2.27 (18–14)	2.2–3.4 (.086–.133)	–	Brass	170454-1	9,000	–	–	1529061	752873-1
			Brass/Pre-tin plated	170454-2	9,000	170455-2	2,500		
3.08–5.27 (12–10)	3.6–5.0 (.140–.195)	–	Brass	170456-1	9,000	–	–	1531064	–
			Brass/Pre-tin plated	170456-2	9,000	–	–		

♦) Applicators are application specific, consult TE Connectivity for details.

90° Receptacle Contacts – Mark II, Heavy Duty Type

**Technical Features**

**Wire Size Range:**  
0.5–2.22 mm<sup>2</sup> (AWG 20–14)

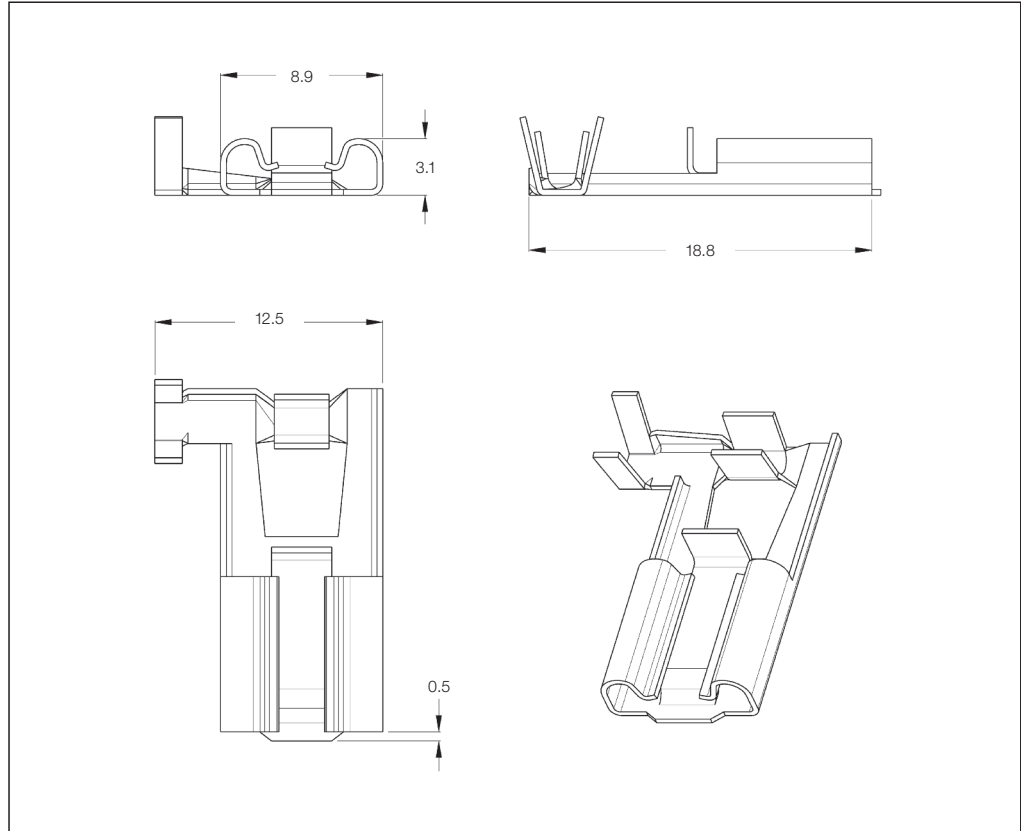
**Insertion Force:**  
59 N Max.

**Extraction Force:**  
49 N Min.

**Material Thickness:**  
0.32 mm

**Contact Material:**  
Brass

**Contact Finish:**  
Pre-tin plated



**90° Receptacle Contacts**

Wire Size Range	Insulation Diameter		Material and Finish	Part Numbers					
	FLK	FLR		Strip Form	Package Quantity	Loose-Piece	Package Quantity	Applicator*	Hand Tool
mm <sup>2</sup> (AWG)	mm (Inch)	mm (Inch)							
0.50–2.22 (20–14)	2.2–3.4 (.086–.133)	–	Brass, pre-tin plated	172796-1	8,000	–	–	1855054	–

\* Applicators are application specific, consult TE Connectivity for details.

90° Receptacle Contacts – Mark II, Heavy Duty Type

**Technical Features**

**Wire Size Range:**  
0.5–2.27 mm<sup>2</sup> (AWG 20–14)

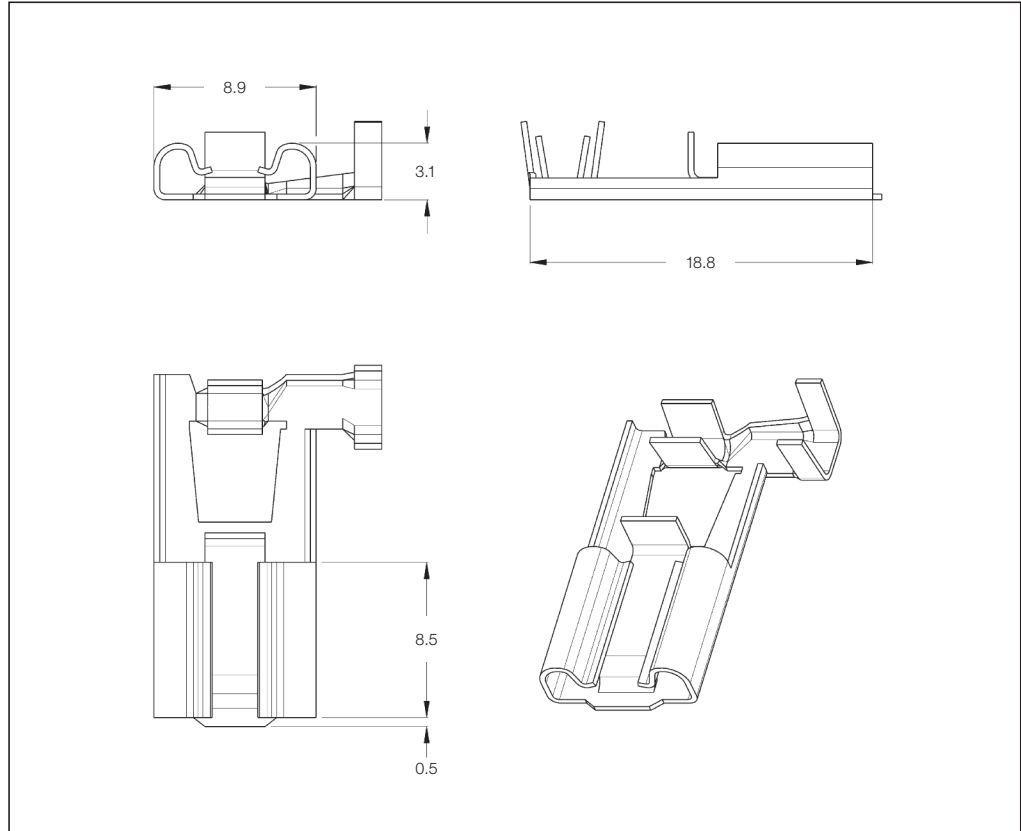
**Insertion Force:**  
59 N Max.

**Extraction Force:**  
49 N Min.

**Material Thickness:**  
0.32 mm

**Contact Material:**  
Brass

**Contact Finish:**  
Pre-tin plated



**90° Receptacle Contacts**

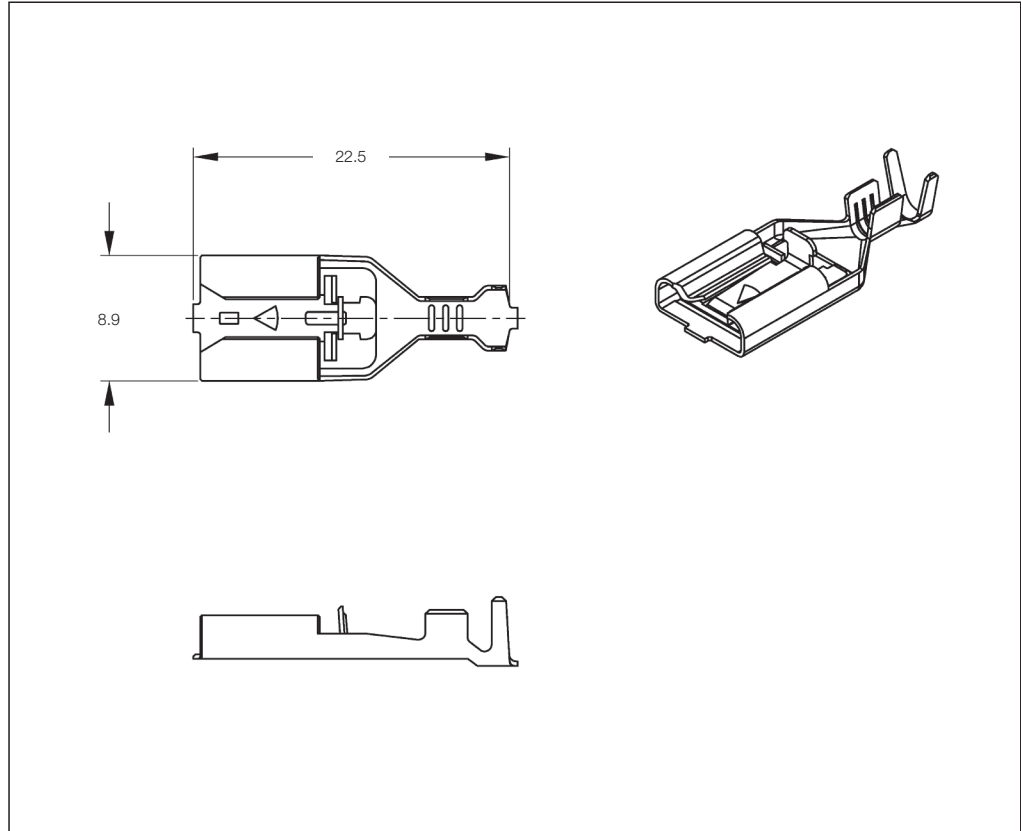
Wire Size Range	Insulation Diameter		Material and Finish	Part Numbers					
	FLK	FLR		Strip Form	Package Quantity	Loose-Piece	Package Quantity	Applicator*	Hand Tool
mm <sup>2</sup> (AWG)	mm (Inch)	mm (Inch)							
0.50–2.27 (20–14)	2.2–3.4 (.086–.133)	–	Brass, pre-tin plated	172795-1	8,000	–	–	1855054	–

\* Applicators are application specific, consult TE Connectivity for details.

180° Receptacle Contacts – Mark II, Heavy Duty Type

**Technical Features**

- Wire Size Range:**  
0.5–2.0 mm<sup>2</sup> (AWG 20–14)
- Insertion Force:**  
59 N Max.
- Extraction Force:**  
49 N Min.
- Material Thickness:**  
0.32 mm
- Contact Material:**  
Brass
- Contact Finish:**  
Brass, pre-tin plated



**180° Receptacle Contacts**

Wire Size Range	Insulation Diameter		Material and Finish	Part Numbers					
	FLK	FLR		Strip Form	Package Quantity	Loose-Piece	Package Quantity	Applicator*	Hand Tool
mm <sup>2</sup> (AWG)	mm (Inch)	mm (Inch)							
0.50–2.27 (20–14)	2.16–3.43 (.086–.133)	–	Brass, pre-tin plated	170381-1	9,000	–	–	1339555	–

\* ) Applicators are application specific, consult TE Connectivity for details.

Engineering Notes

A large grid area for engineering notes, consisting of a uniform grid of small squares. The grid is empty and occupies the majority of the page's vertical space.

Receptacle Housings 5.0 mm (.197 Series)

**Technical Features**

**No. of Positions:**

2 Positions

**Housing Material:**

PA66

**Wire Size Range:**

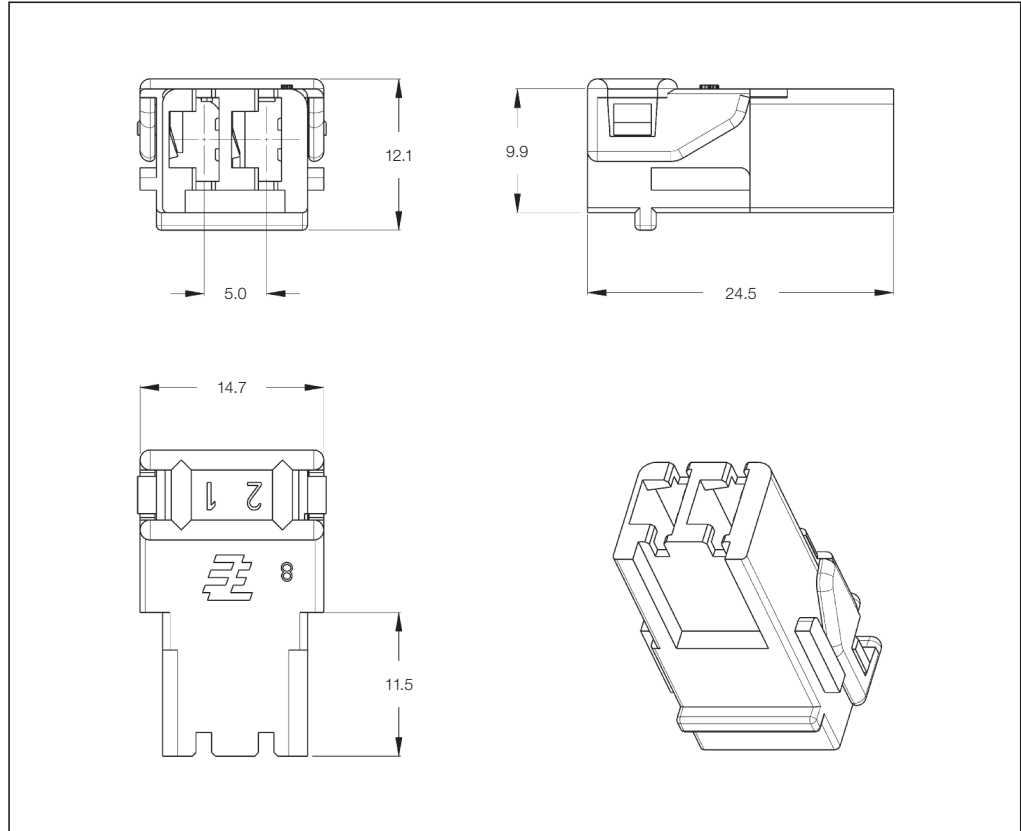
0.35–5.0 mm<sup>2</sup>

**Product Specification:**

108-15036

**Application Specification:**

114-15008



**2 Position Positive Lock Housing**

No. of Positions	Housing Color	Part Numbers			Applicable Terminals
		Receptacle Housing	Package Quantity	Mating Tab Housing	
2	Black	142680-0	3,200	–	<b>Mark III:</b> 141991-2, 141991-3 1-141992-1, 1-141992-2 2-141992-2
	Brown	142680-1	3,200	1-144835-2	
	Red	142680-2	3,200	2-144835-2	
	Yellow	142680-4	3,200	4-144835-2	
	Red	142680-6	3,200	2-144835-2	141992-2, 141992-3
	Yellow	142680-7	3,200	4-144835-2	1-141993-2, 2-141993-2 141993-1, 141993-3
	White	142680-8	3,200	9-144835-2	<b>Mark III-2:</b> 142685-3, 142686-1
	Black	1-142680-0	3,200	–	
	Brown	1-142680-1	2,800	1-144835-2	

Receptacle Housings 5.0 mm (.197 Series)

**Technical Features**

**No. of Positions:**

3 Positions

**Housing Material:**

PA66

**Wire Size Range:**

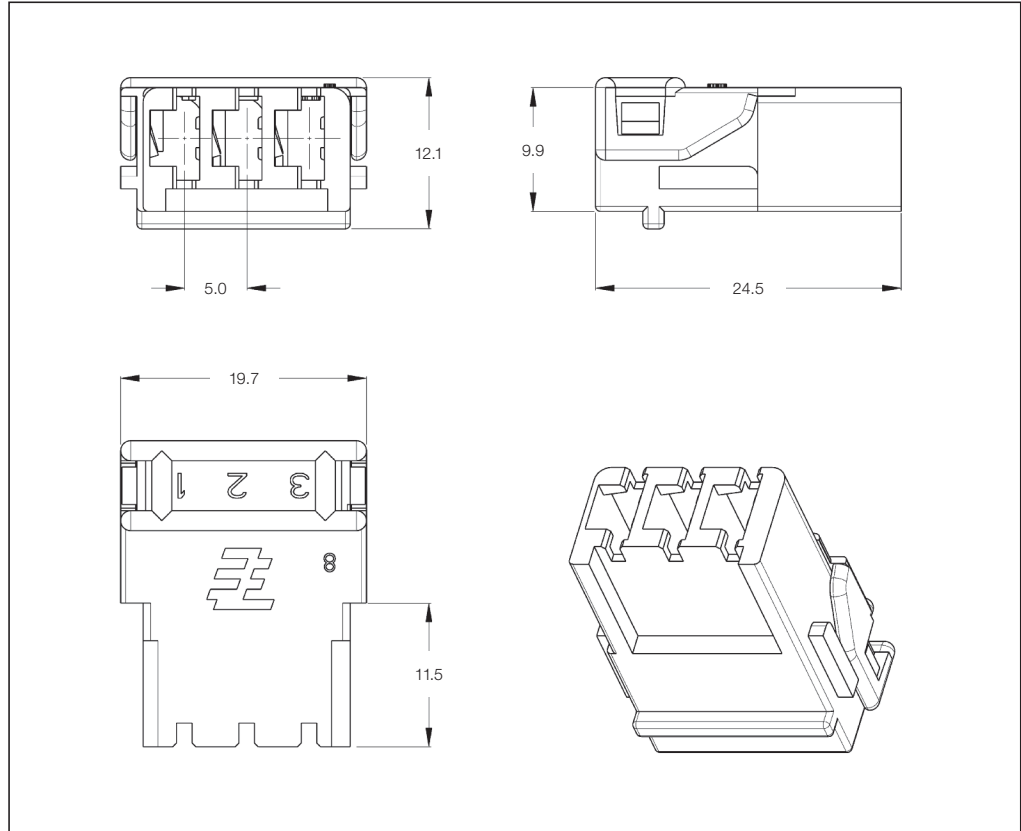
0.35–5.0 mm<sup>2</sup>

**Product Specification:**

108-15036

**Application Specification:**

114-15008



**3 Position Positive Lock Housing**

No. of Positions	Housing Color	Part Numbers			
		Receptacle Housing	Package Quantity	Mating Tab Housing	Applicable Terminals
3	Black	142681-0	2,100	–	<b>Mark III:</b> 141991-2, 141991-3 1-141992-1, 1-141992-2 2-141992-2 141992-2, 141992-3 1-141993-2, 2-141993-2 141993-1, 141993-3
	Brown	142681-1		1-144835-3	
	Red	142681-2		2-144835-3	
	Yellow	142681-4		4-144835-3	
	Violet	142681-7		–	
	Gray	142681-8		–	
	White	142681-9		9-144835-3	
				<b>Mark III-2:</b> 142685-3, 142686-1	



Tab Housings 5.0 mm (.197 Series)

**Technical Features**

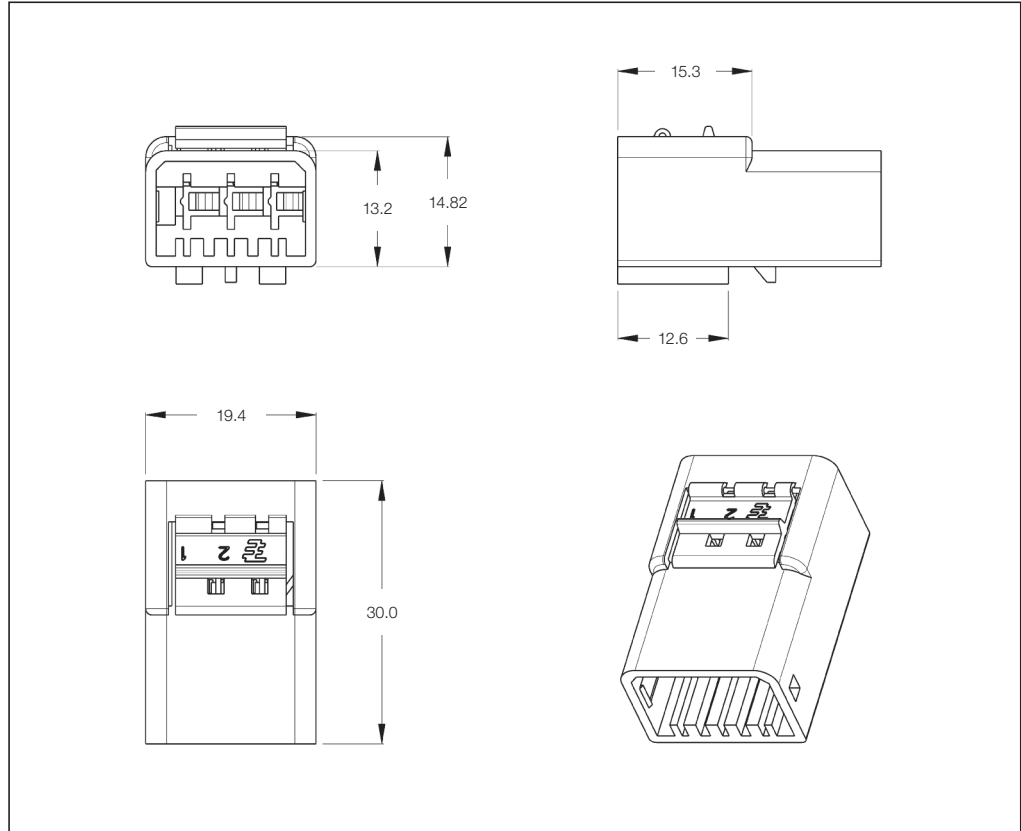
**No. of Positions:**  
2 and 3 Positions

**Housing Material:**  
PA66

**Wire Size Range:**  
0.35–5.0 mm<sup>2</sup>

**Product Specification:**  
—

**Application Specification:**  
—



**2 Position Positive Lock Housing**

No. of Positions	Housing Color	Part Numbers			
		Tab Housing	Package Quantity	Mating Receptacle Housing	Applicable Terminals
2	Brown	1-144835-2	1,500	142680-1 or 1-142680-1	144838-2
	Red	2-144835-2		142680-2 or 142680-6	144839-2
	Yellow	4-144835-2		142680-4 or 142680-7	144840-2
	White	9-144835-2		142680-8	

**3 Position Positive Lock Housing**

No. of Positions	Housing Color	Part Numbers			
		Tab Housing	Package Quantity	Mating Receptacle Housing	Applicable Terminals
3	Brown	1-144835-3	1,500	142681-1	
	Red	2-144835-3		142681-2	144838-2
	Orange	3-144835-3		—	144839-2
	Yellow	4-144835-3		142681-4	144840-2
	Green	5-144835-3		—	
	White	9-144835-3		142681-9	

Tab Housings 5.0 mm (.197 Series)

**Technical Features**

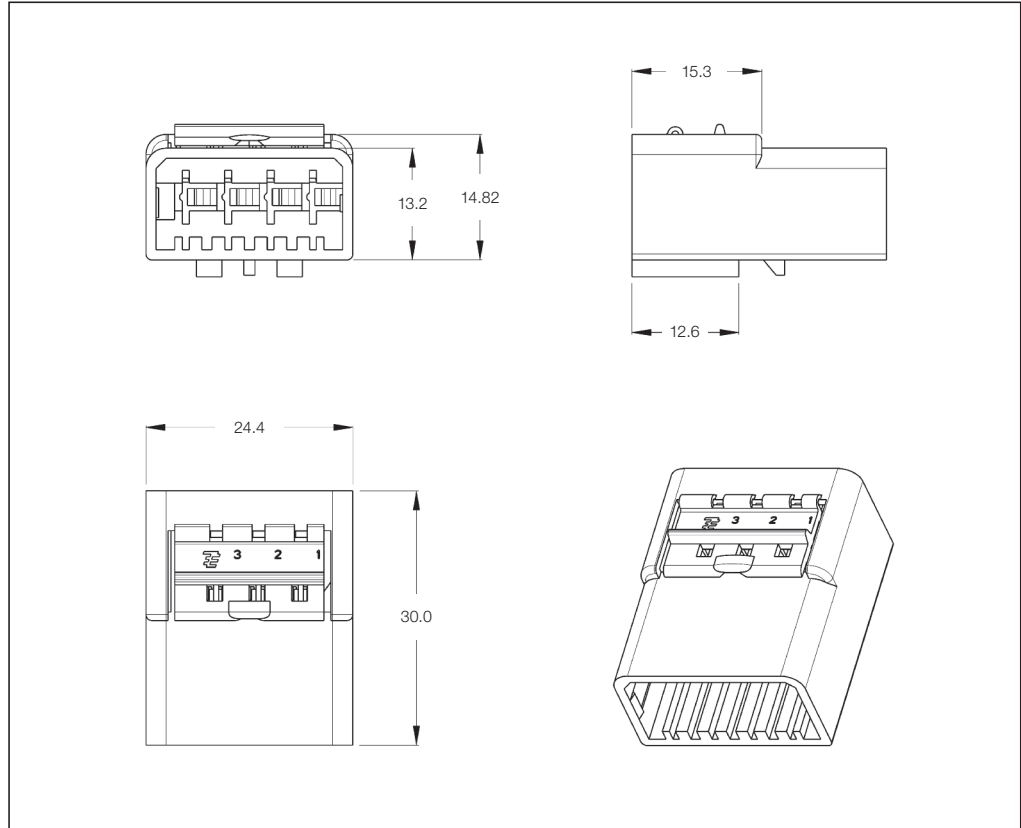
**No. of Positions:**  
4, 5, 6, 7, 9 and 10 Positions

**Housing Material:**  
PA66

**Wire Size Range:**  
0.35–5.0 mm<sup>2</sup>

**Product Specification:**  
—

**Application Specification:**  
—



**Positive Lock Housings**

No. of Positions	Housing Color	Part Numbers			
		Tab Housing	Package Quantity	Mating Receptacle Housing	Applicable Terminals
4	Brown	1-144836-4	1,100	—	144838-2 144839-2 144840-2
	Red	2-144836-4			
	Orange	3-144836-4			
	Blue	6-144836-4			
	White	9-144836-4			
5	Brown	1-144836-5	1,000	—	144838-2 144839-2 144840-2
	White	9-144836-5			
6	Brown	1-144836-6	800	—	144838-2 144839-2 144840-2
	Yellow	4-144836-6			
	White	9-144836-6			
7	Brown	1-144836-7	700	—	144838-2 144839-2 144840-2
9	Brown	1-144836-9	600	—	144838-2 144839-2 144840-2
	White	9-144836-9			
10	Brown	1-144836-0	500	—	144838-2 144839-2 144840-2
	White	9-144836-0			

Receptacle Housings 6.3 mm (.250 Series)

**Technical Features**

**No. of Positions:**

1 Position

**Housing Material:**

PA66

**Wire Size Range:**

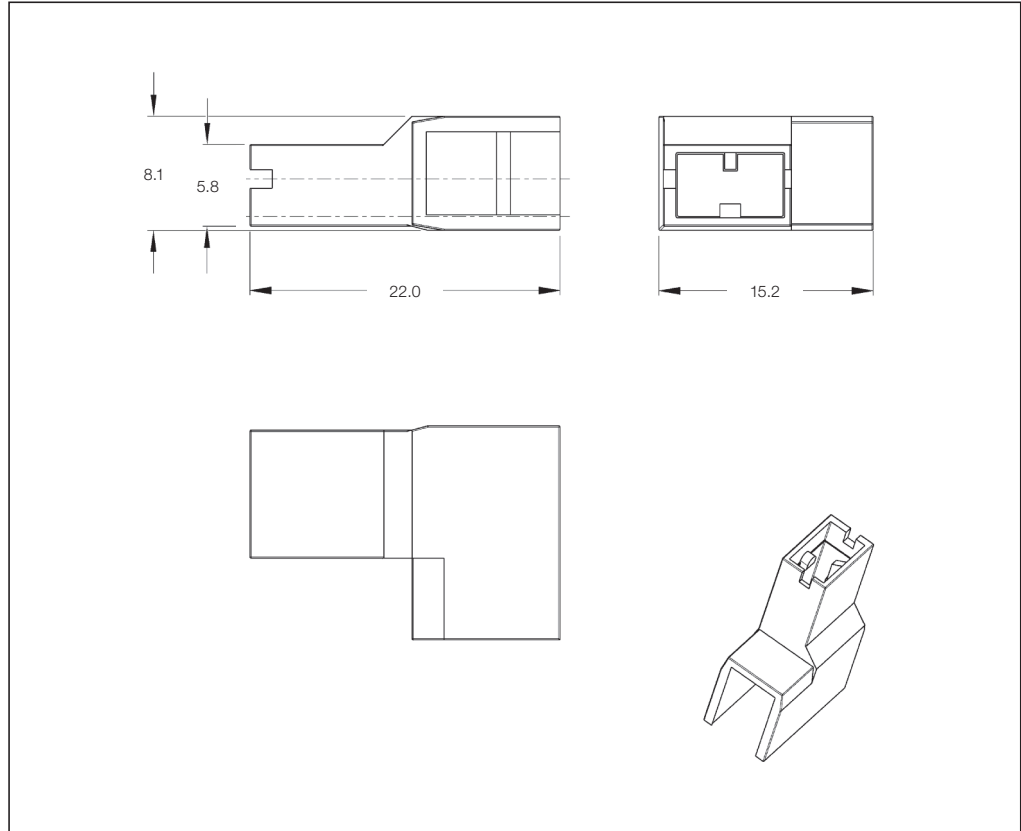
0.5–2.5 mm<sup>2</sup>

**Product Specification:**

—

**Application Specification:**

—



**1 Position Positive Lock Housing**

No. of Positions	Housing Color	Part Numbers			
		Receptacle Housing	Package Quantity	Mating Tab Housing	Applicable Terminals
1	Black	926291-1	11,000	180916-0/-9	160691-1/-5
	Natural	926291-2		2-180916-0/-9	160859-1/-8
				3-180916-0	280081-1/-9
				See customer drawing	1-280081-0/-2
					280080-1/-6
					928947-1/-8
					928962-1/-8

Receptacle Housings 6.3 mm (.250 Series)

**Technical Features**

**No. of Positions:**

2 Positions

**Housing Material:**

PA66

**Wire Size Range:**

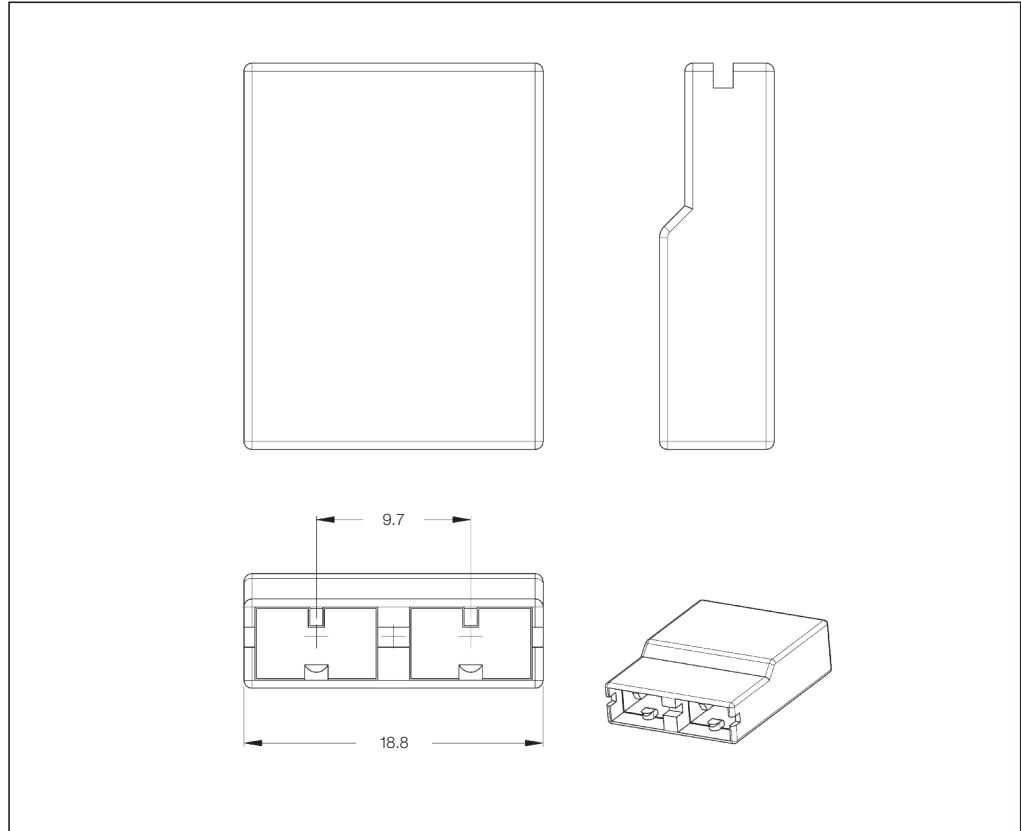
0.5–6.0 mm<sup>2</sup>

**Product Specification:**

—

**Application Specification:**

—



**2 Position Positive Lock Housing**

No. of Positions	Housing Color	Part Numbers			
		Receptacle Housing	Package Quantity	Mating Tab Housing	Applicable Terminals
2	Black	926716-1	3,500	180916-0/-9	160691-1/-5
	Natural	926716-2		2-180916-0/-9	160859-1/-8
				3-180916-0	280081-1/-9
Black	926716-3	See customer drawing	1-280081-0/-2	280080-1/-6	
					928947-1/-8
					928962-1/-8

Receptacle Housings 6.3 mm (.250 Series)

**Technical Features**

**No. of Positions:**

2 Positions

**Housing Material:**

PA66

**Wire Size Range:**

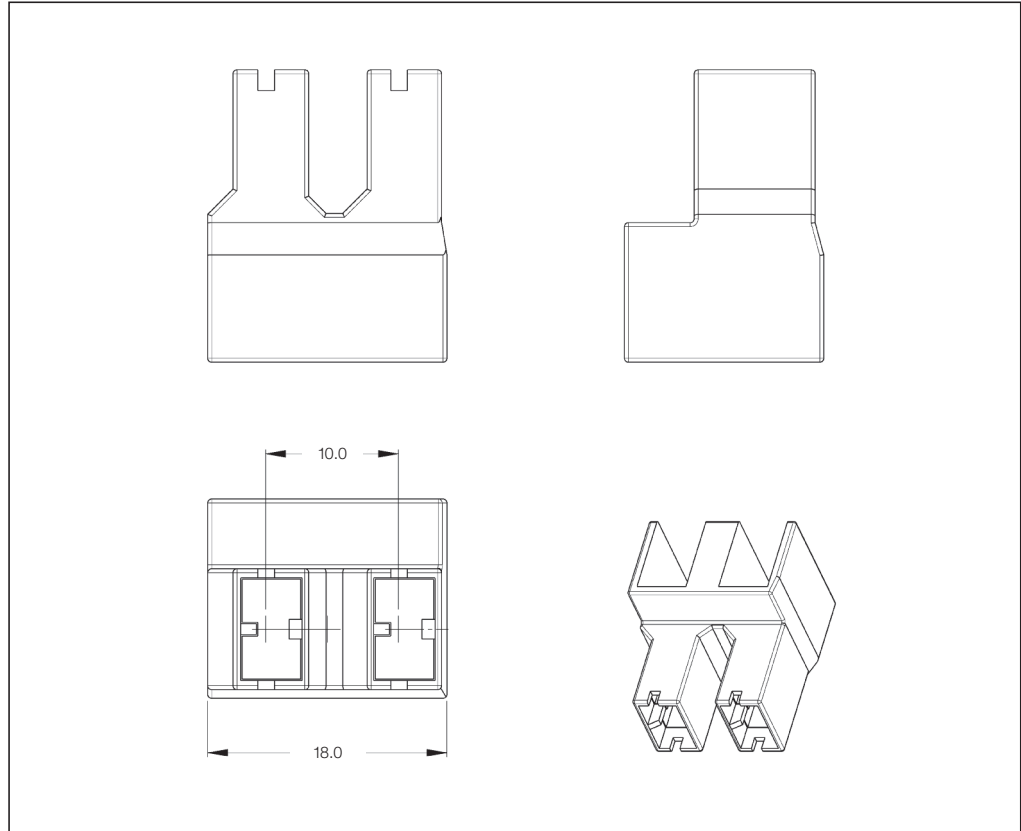
0.5–2.5 mm<sup>2</sup>

**Product Specification:**

—

**Application Specification:**

—



**2 Position Positive Lock Housing, Right-Angle 90°**

No. of Positions	Housing Color	Part Numbers			
		Receptacle Housing	Package Quantity	Mating Tab Housing	Applicable Terminals
2	Black	926319-1	2,000	927203-1	160691-1/-5
					160859-1/-8
					280081-1/-9
					1-280081-0/-2
					280080-1/-6
					928947-1/-8
					928962-1/-8

Receptacle Housings 6.3 mm (.250 Series)

**Technical Features**

**No. of Positions:**

2 Position, H Type

**Housing Material:**

PA66

**Wire Size Range:**

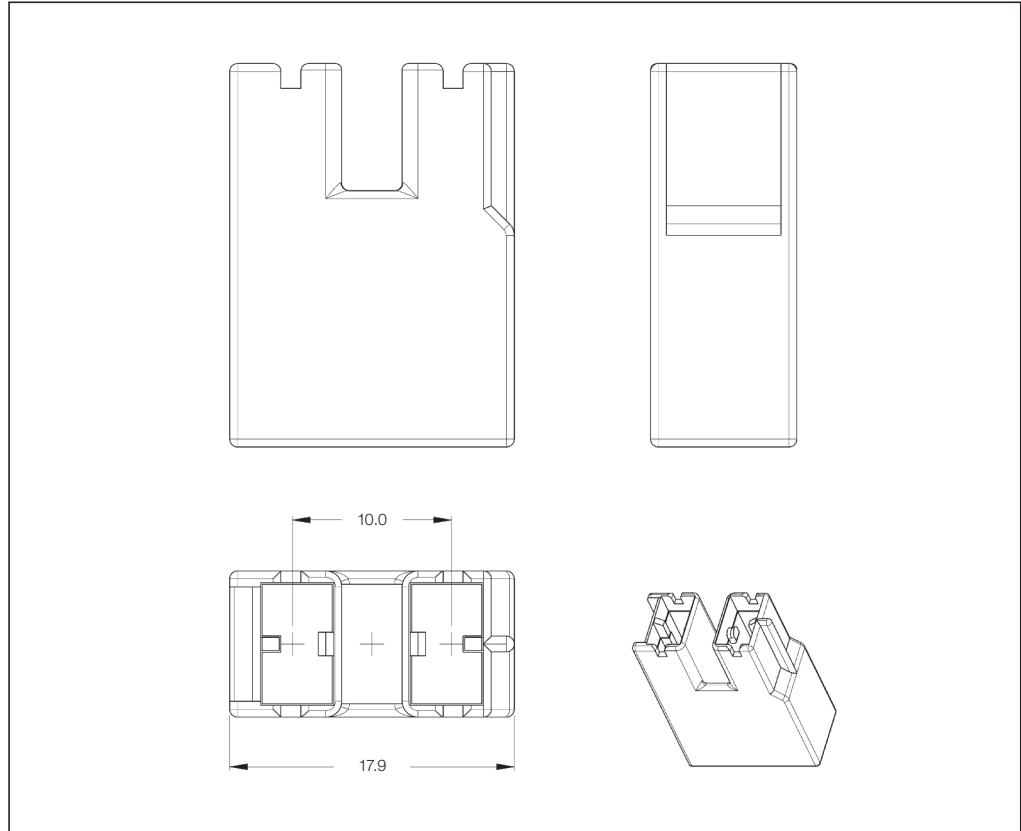
0.5–6.0 mm<sup>2</sup>

**Product Specification:**

—

**Application Specification:**

—



**2 Position Positive Lock Housing, H Type**

No. of Positions	Housing Color	Part Numbers			Applicable Terminals
		Receptacle Housing	Package Quantity	Mating Tab Housing	
2	See customer drawing	926521-1/-9	1,300	927203-1 927203-2	160691-1/-5
		1-926521-1			160859-1/-8
		1-926521-2			280081-1/-9
					1-280081-0/-2
					280080-1/-6
					928947-1/-8
					928962-1/-8

Receptacle Housings 6.3 mm (.250 Series)

**Technical Features**

**No. of Positions:**

2 Positions

**Housing Material:**

Zytel 101/PA66

**Wire Size Range:**

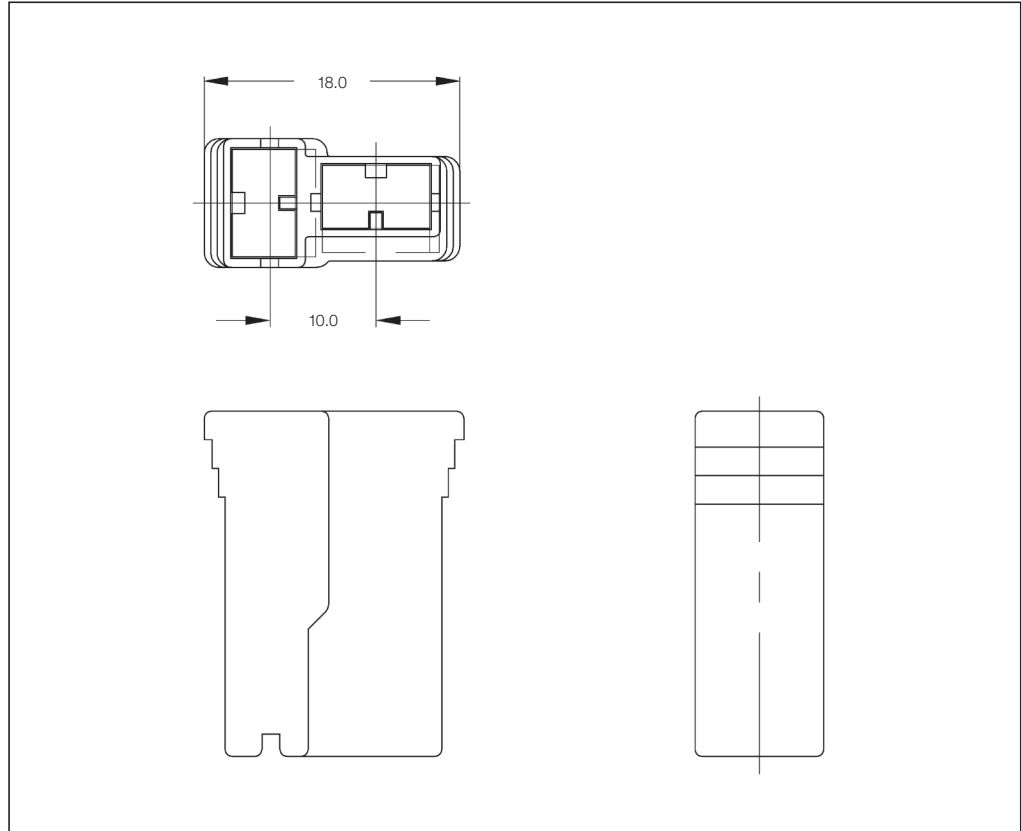
0.5–6.0 mm<sup>2</sup>

**Product Specification:**

—

**Application Specification:**

—



**2 Position Positive Lock Housing**

No. of Positions	Housing Color	Part Numbers			
		Receptacle Housing	Package Quantity	Mating Tab Housing	Applicable Terminals
2	See customer drawing	926522-1/-6	3,000	180908-0/-5	160691-1/-5
		1-926522-1		See customer drawing	160859-1/-8
		1-926522-2		280081-1/-9	
		1-926522-3		1-280081-0/-2	
	Natural Green Yellow Black				280080-1/-6
					928947-1/-8
				1-180908-0	928962-1/-8
				1-180908-2	
				1-180908-4	
				1-180908-5	

Receptacle Housings 6.3 mm (.250 Series)

**Technical Features**

**No. of Positions:**

2 Positions

**Housing Material:**

PA66

**Wire Size Range:**

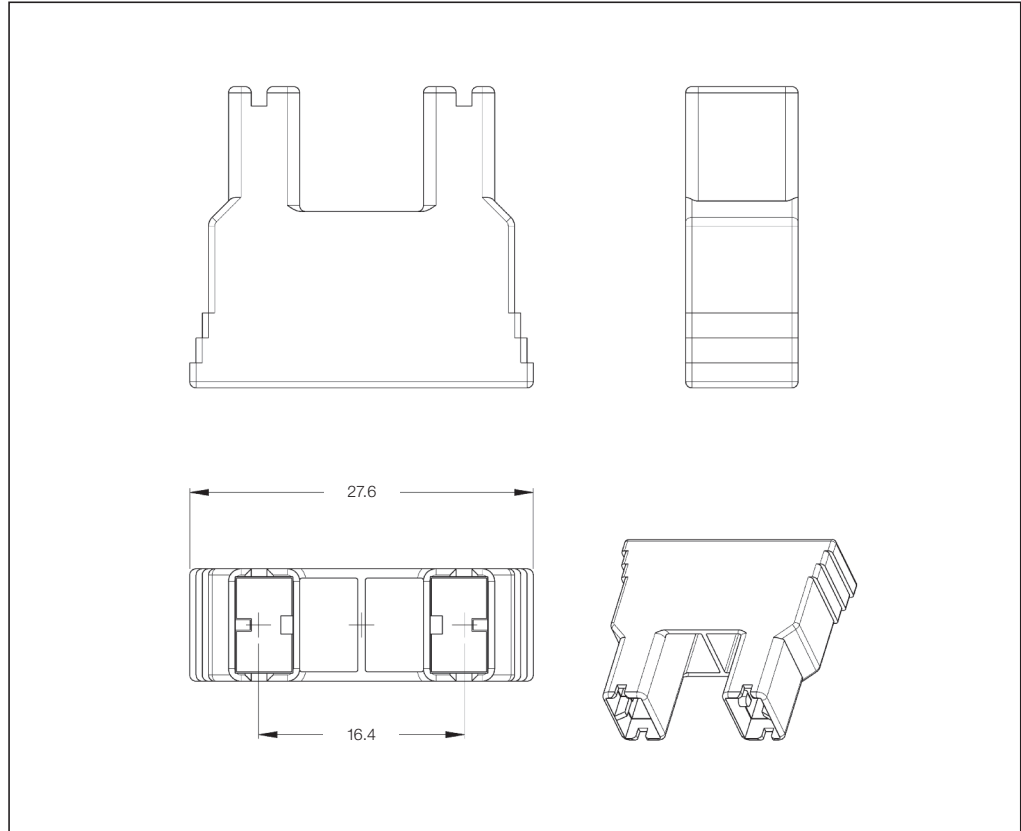
0.5–6.0 mm<sup>2</sup>

**Product Specification:**

—

**Application Specification:**

—



**2 Position Positive Lock Housing**

No. of Positions	Housing Color	Part Numbers			
		Receptacle Housing	Package Quantity	Mating Tab Housing	Applicable Terminals
2	Black	926524-1	2,000	—	160691-1/-5 160859-1/-8 280081-1/-9 1-280081-0/-2 280080-1/-6 928947-1/-8 928962-1/-8



Receptacle Housings 6.3 mm (.250 Series)

**Technical Features**

**No. of Positions:**

3 Positions

**Housing Material:**

PA66

**Wire Size Range:**

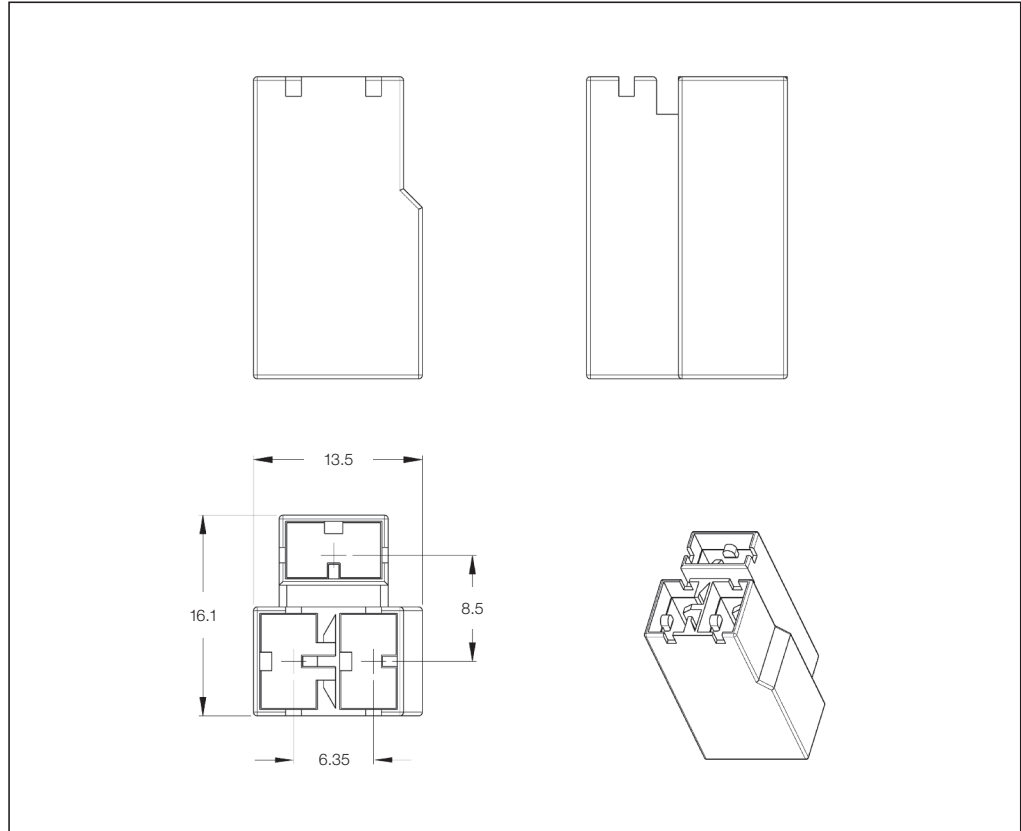
0.5–6.0 mm<sup>2</sup>

**Product Specification:**

—

**Application Specification:**

—



**3 Position Positive Lock Housing**

No. of Positions	Housing Color	Part Numbers			Applicable Terminals
		Receptacle Housing	Package Quantity	Mating Tab Housing	
3	Black	927389-1	2,000	—	160691-1/-5
	White	927389-2			160859-1/-8
					280081-1/-9
					1-280081-0/-2
					280080-1/-6
					928947-1/-8
					928962-1/-8

Receptacle Housings 6.3 mm (.250 Series)

**Technical Features**

**No. of Positions:**

3 Positions

**Housing Material:**

PA66

**Wire Size Range:**

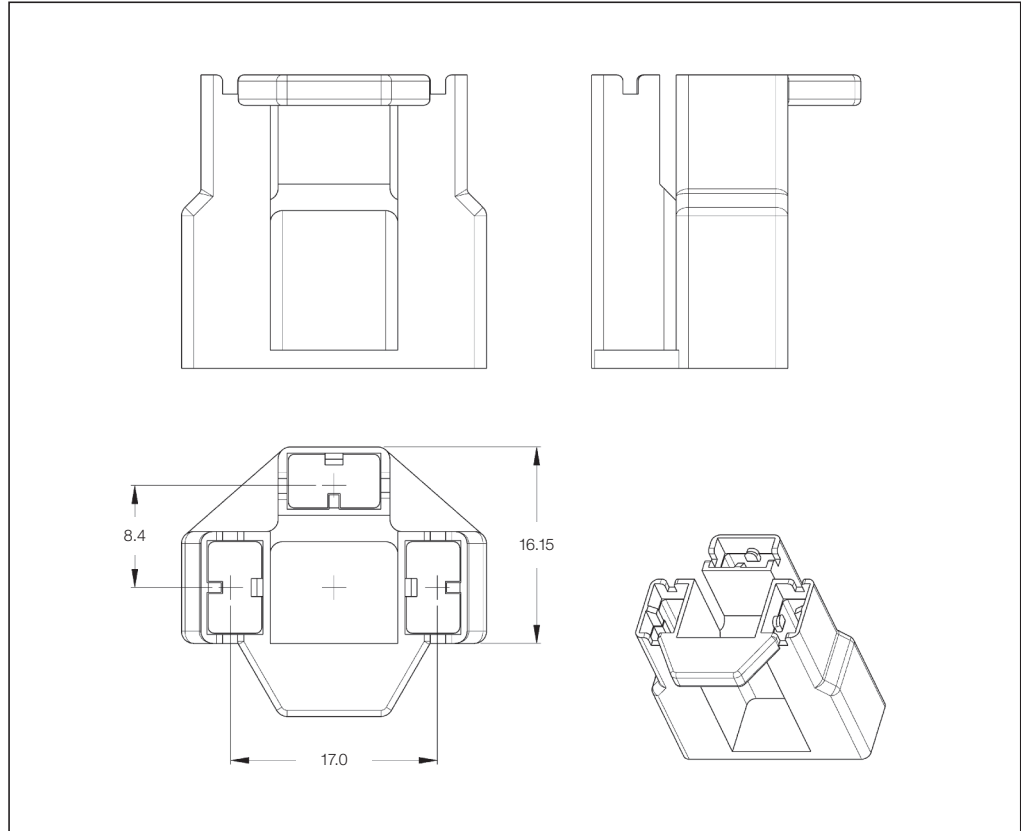
0.5–6.0 mm<sup>2</sup>

**Product Specification:**

—

**Application Specification:**

—



**3 Position Positive Lock Housing for Heater**

No. of Positions	Housing Color	Part Numbers			Applicable Terminals
		Receptacle Housing	Package Quantity	Mating Tab Housing	
3	Black	926525-1	2,500	—	160691-1/-5 160859-1/-8 280081-1/-9 1-280081-0/-2 280080-1/-6 928947-1/-8 928962-1/-8

Receptacle Housings 6.3 mm (.250 Series)

**Technical Features**

**No. of Positions:**

5 Positions

**Housing Material:**

PA66

**Wire Size Range:**

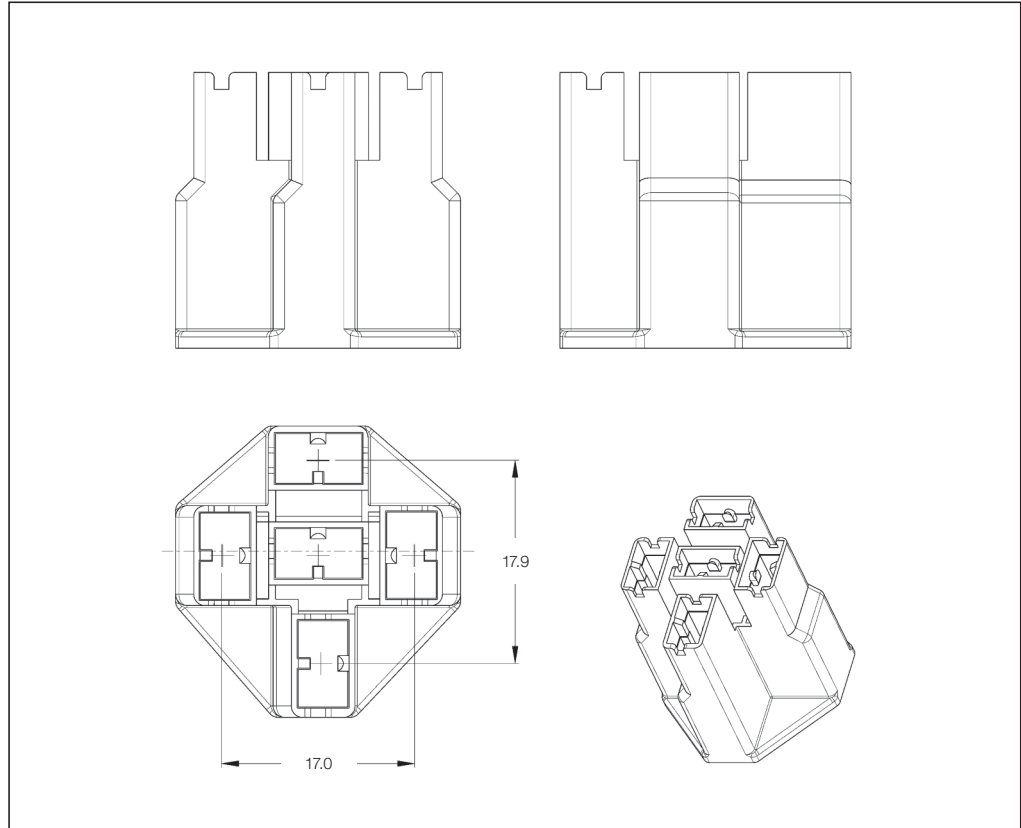
0.5–6.0 mm<sup>2</sup>

**Product Specification:**

—

**Application Specification:**

—



**5 Position Positive Lock Housing**

No. of Positions	Housing Color	Part Numbers			
		Receptacle Housing	Package Quantity	Mating Tab Housing	Applicable Terminals
5	Black	926526-1	1,000	—	160691-1/-5
					160859-1/-8
					280081-1/-9
					1-280081-0/-2
					280080-1/-6
					928947-1/-8
					928962-1/-8

Receptacle Housings 6.3 mm (.250 Series)

**Technical Features**

**No. of Positions:**

5 Positions

**Housing Material:**

PA66 + PE-GF13

**Wire Size Range:**

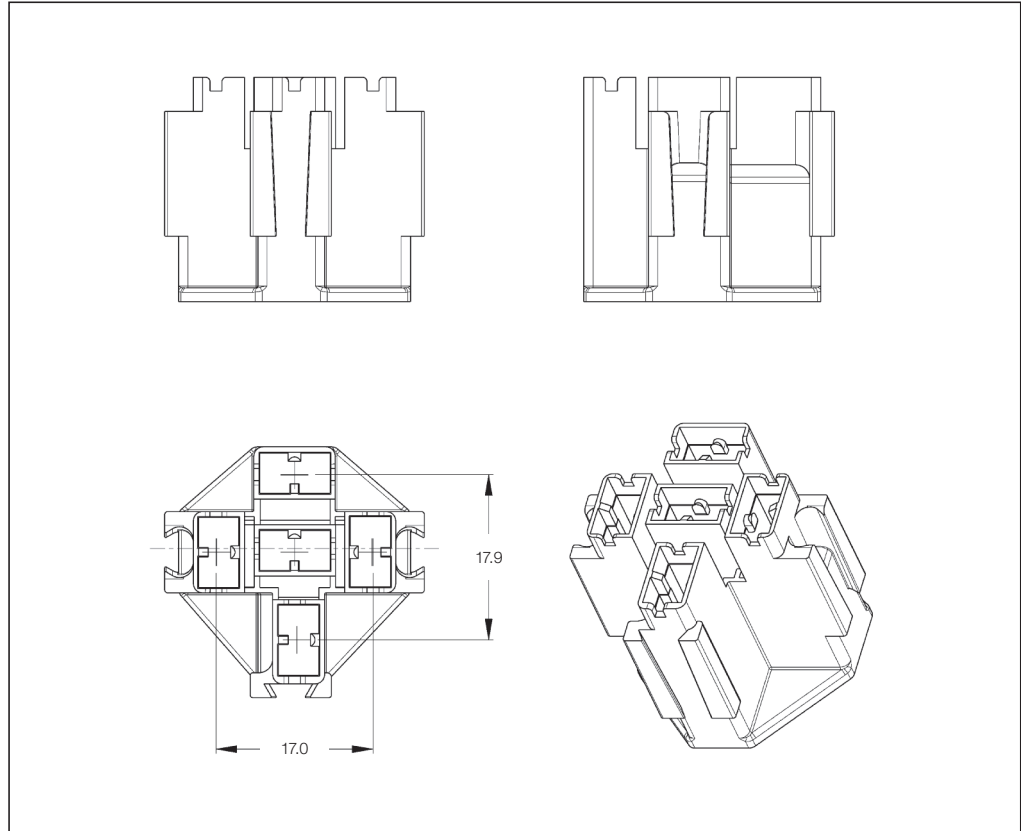
0.5–6.0 mm<sup>2</sup>

**Product Specification:**

—

**Application Specification:**

—



**5 Position Positive Lock Housing (Relay)**

No. of Positions	Housing Color	Part Numbers			
		Receptacle Housing	Package Quantity	Mating Tab Housing	Applicable Terminals
5	Black	927076-1	1,000	—	160691-1/-5 160859-1/-8 280081-1/-9 1-280081-0/-2 280080-1/-6 928947-1/-8 928962-1/-8

Receptacle Housings 6.3 mm (.250 Series)

**Technical Features**

**No. of Positions:**

6 Positions

**Housing Material:**

PA66

**Wire Size Range:**

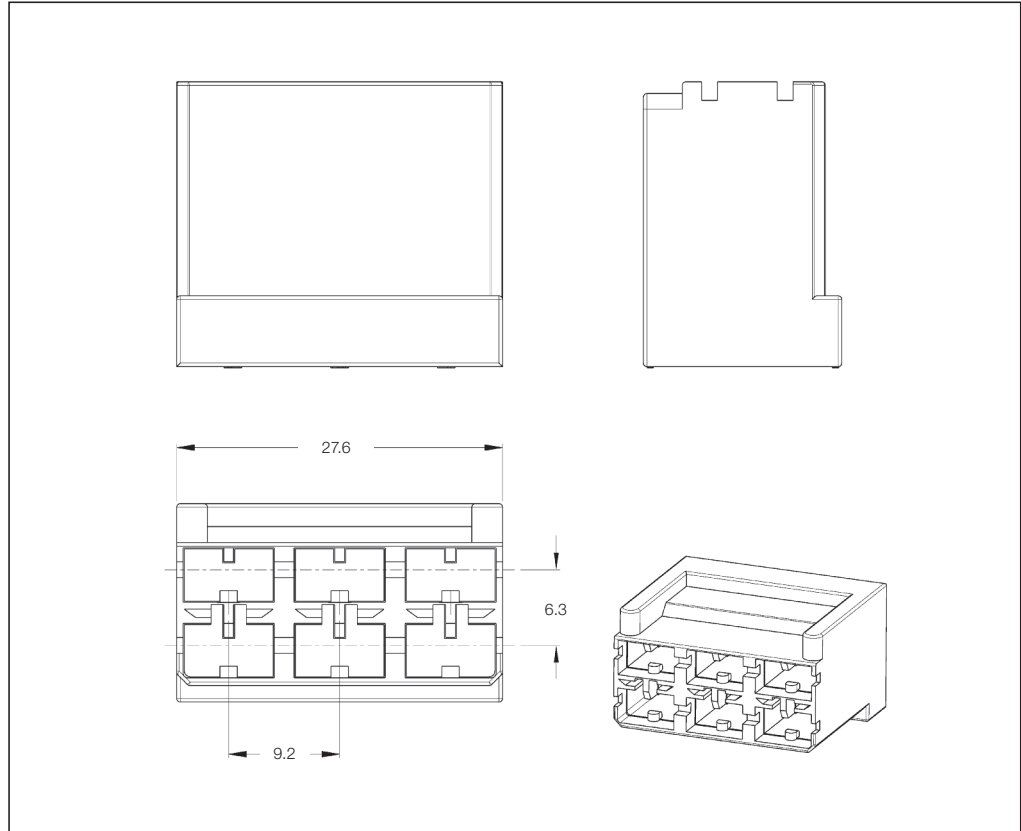
0.5–6.0 mm<sup>2</sup>

**Product Specification:**

—

**Application Specification:**

—



**6 Position Positive Lock Housing**

No. of Positions	Housing Color	Part Numbers			Applicable Terminals
		Receptacle Housing	Package Quantity	Mating Tab Housing	
6	See customer drawing	926330-1/-8	1,000	—	160691-1/-5 160859-1/-8 280081-1/-9 1-280081-0/-2 280080-1/-6 928947-1/-8 928962-1/-8

Receptacle Housings 6.3 mm (.250 Series)

**Technical Features**

**No. of Position:**

1 Position

**Housing Material:**

PA66 (6/6 Nylon)

**Wire Size Range:**

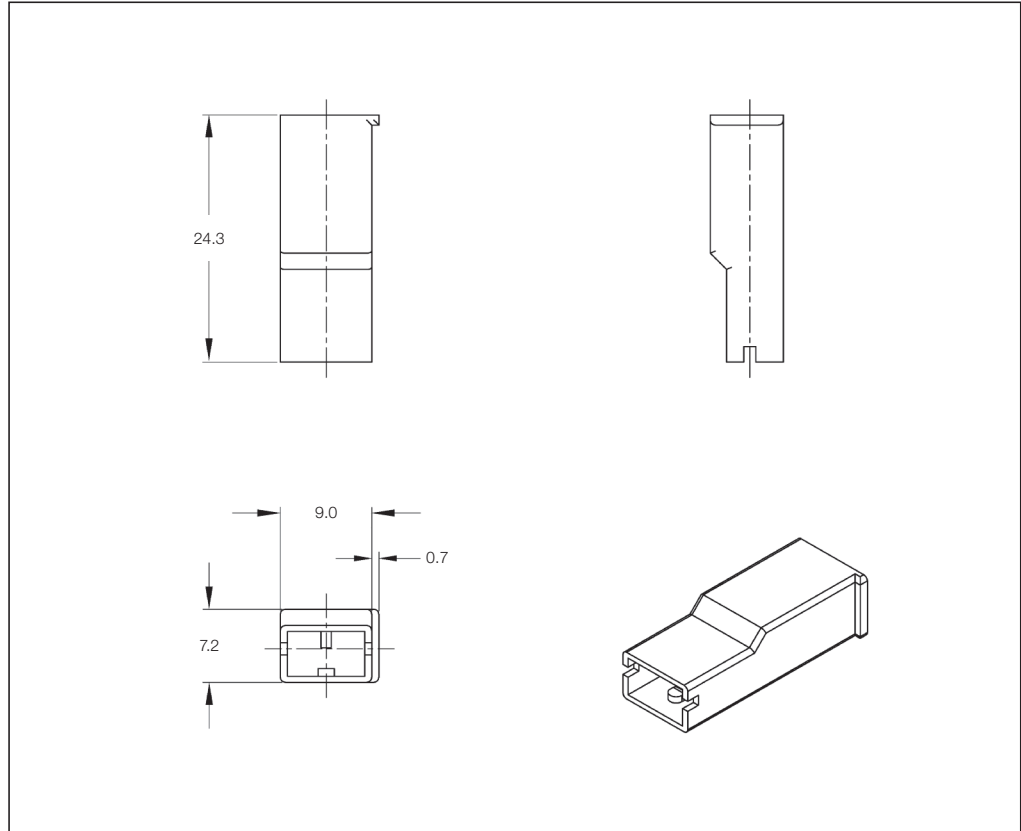
0.5–2.5 mm<sup>2</sup>

**Product Specification:**

108-5113

**Application Specification:**

114-5032



**1 Position Positive Lock Housing**

No. of Positions	Housing Color	Part Numbers			
		Receptacle Housing	Package Quantity	Mating Tab for PCB	Applicable Terminals
1	Natural	171809-1	8,000	170267-1	170233-1, 170233-2
	Black	171809-2			170265-1, 170265-2
	Blue	171809-5			170234-1, 170234-2
					170266-1, 170266-2

Receptacle Housings 6.3 mm (.250 Series)

**Technical Features**

**No. of Positions:**

2 Positions

**Housing Material:**

PA66 (6/6 Nylon)

**Wire Size Range:**

Part No. 170233 / 170265:  
0.5–2.27 mm<sup>2</sup> (AWG 20–14)

Part No. 170234 / 170266:  
3.08–5.63 mm<sup>2</sup> (AWG 12–10)

Part No. 170032:  
0.5–1.42 mm<sup>2</sup> (AWG 20–14)

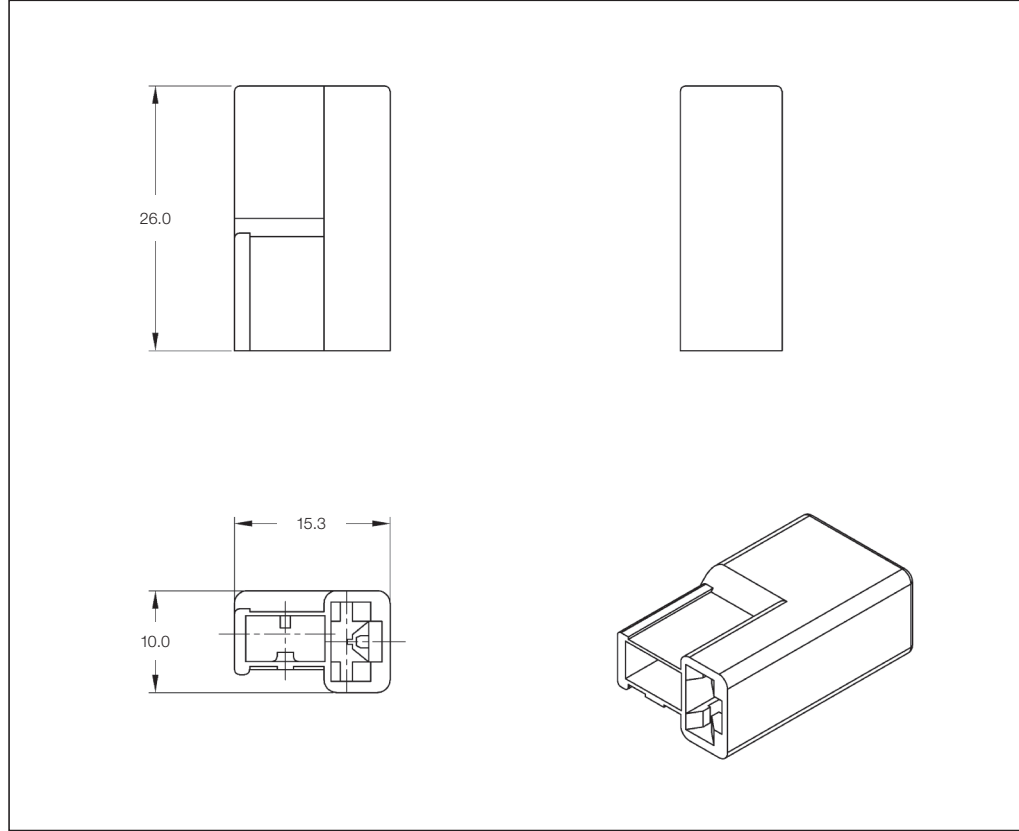
Part No. 170258:  
2.0–3.37 mm<sup>2</sup> (AWG 14–12)

**Product Specification:**

108-5113

**Application Specifications:**

114-5032, 114-5052



**2 Position Positive Lock Housing**

No. of Positions	Housing Color	Part Numbers			
		Receptacle Housing	Package Quantity	Mating Tab Housing	Applicable Terminals
2	Natural	171810-1	4,000	N/A	170233-1, 170233-2
					170265-1, 170265-2
					170234-1, 170234-2
					170266-1, 170266-2
					170032-1, 170032-2
					170258-1, 170258-2

Receptacle Housings 6.3 mm (.250 Series)

**Technical Features**

**No. of Positions:**

1 Position, Low Profile

**Housing Material:**

PA66 (6/6 Nylon)

**Wire Size Range:**

Part No. 170452 / 170453:  
0.3–0.56 mm<sup>2</sup> (AWG 22–20)

Part No. 170454 / 170455:  
0.75–2.27 mm<sup>2</sup> (AWG 18–14)

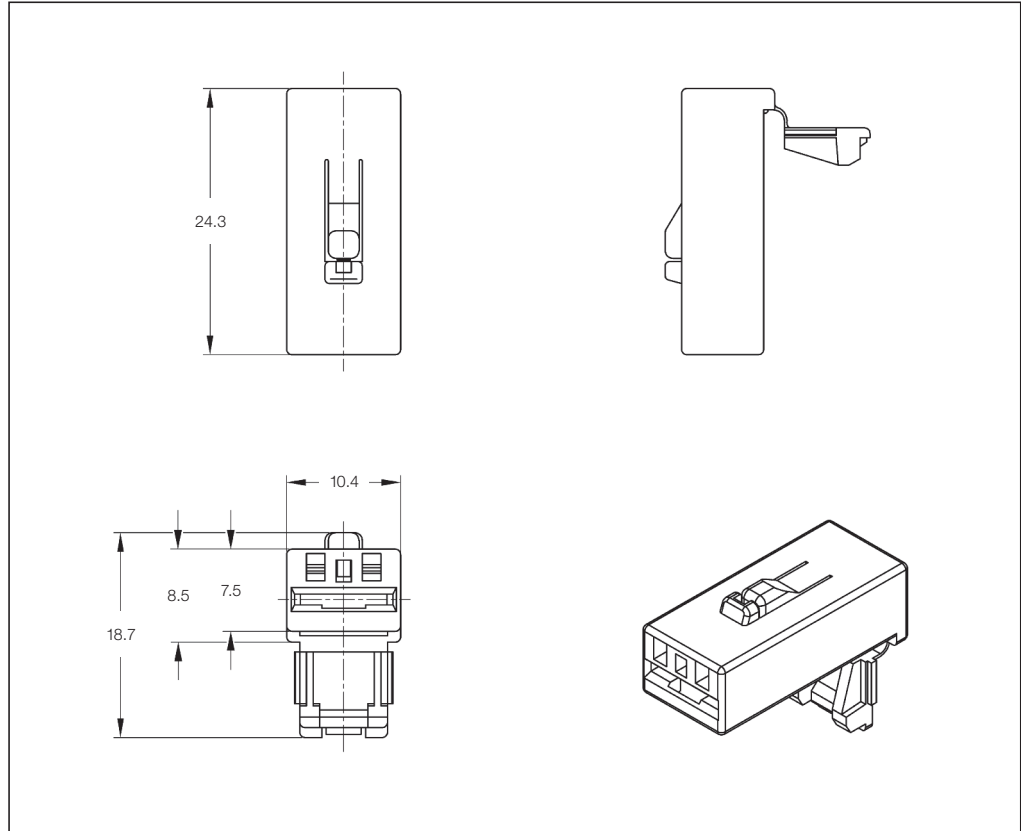
Part No. 170456:  
3.08–5.27 mm<sup>2</sup> (AWG 14–12)

**Product Specification:**

108-5150

**Application Specification:**

114-5060



**1 Position Positive Lock Housing, Low Profile**

No. of Positions	Housing Color	Part Numbers			Applicable Terminals
		Receptacle Housing	Package Quantity	Mating Tab Housing	
1	Natural	174090-1	7,000	N/A	170452-1, 170452-2
					170453-2
	Black	174090-2			170454-1, 170454-2
					170455-2
					170456-1, 170456-2



Receptacle Housings 6.3 mm (.250 Series)

**Technical Features**

**No. of Positions:**

1 Position, Standard Type

**Housing Material:**

PA66 (6/6 Nylon)

**Wire Size Range:**

Part No. 170452 / 170453:  
0.3–0.56 mm<sup>2</sup> (AWG 22–20)

Part No. 170454 / 170455:  
0.75–2.27 mm<sup>2</sup> (AWG 18–14)

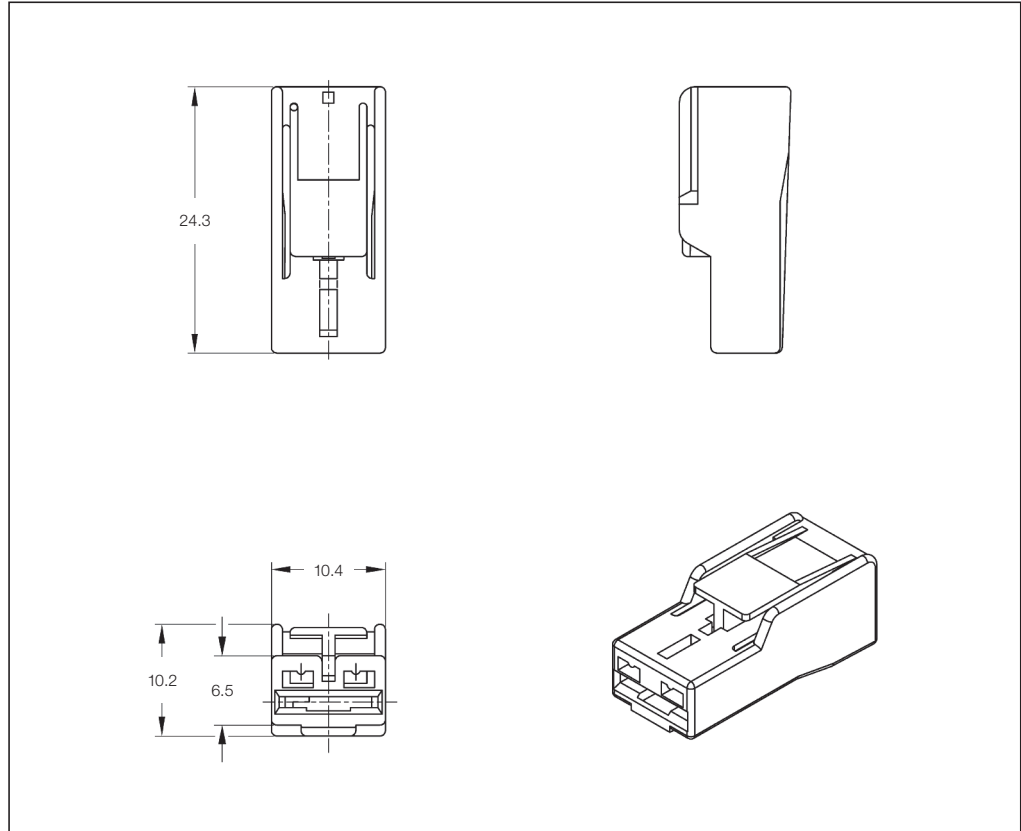
Part No. 170456:  
3.08–5.27 mm<sup>2</sup> (AWG 14–12)

**Product Specification:**

108-5150

**Application Specification:**

114-5060



**1 Position Positive Lock Housing, Standard Type**

No. of Positions	Housing Color	Part Numbers			Applicable Terminals
		Receptacle Housing	Package Quantity	Mating Tab Housing	
1	Natural	172320-1	8,000	N/A	170452-1, 170452-2
	Black	172320-2			170453-2
	Brown	172320-3			170454-1, 170454-2
	Green	172320-4			170455-2
					170456-1, 170456-2

Receptacle Housings 6.3 mm (.250 Series)

**Technical Features**

**No. of Positions:**

1 Position, Double Lock Type

**Housing Material:**

PA66 (6/6 Nylon)

**Wire Size Range:**

Part No. 170452 / 170453:  
0.3–0.56 mm<sup>2</sup> (AWG 22–20)

Part No. 170454 / 170455:  
0.75–2.27 mm<sup>2</sup> (AWG 18–14)

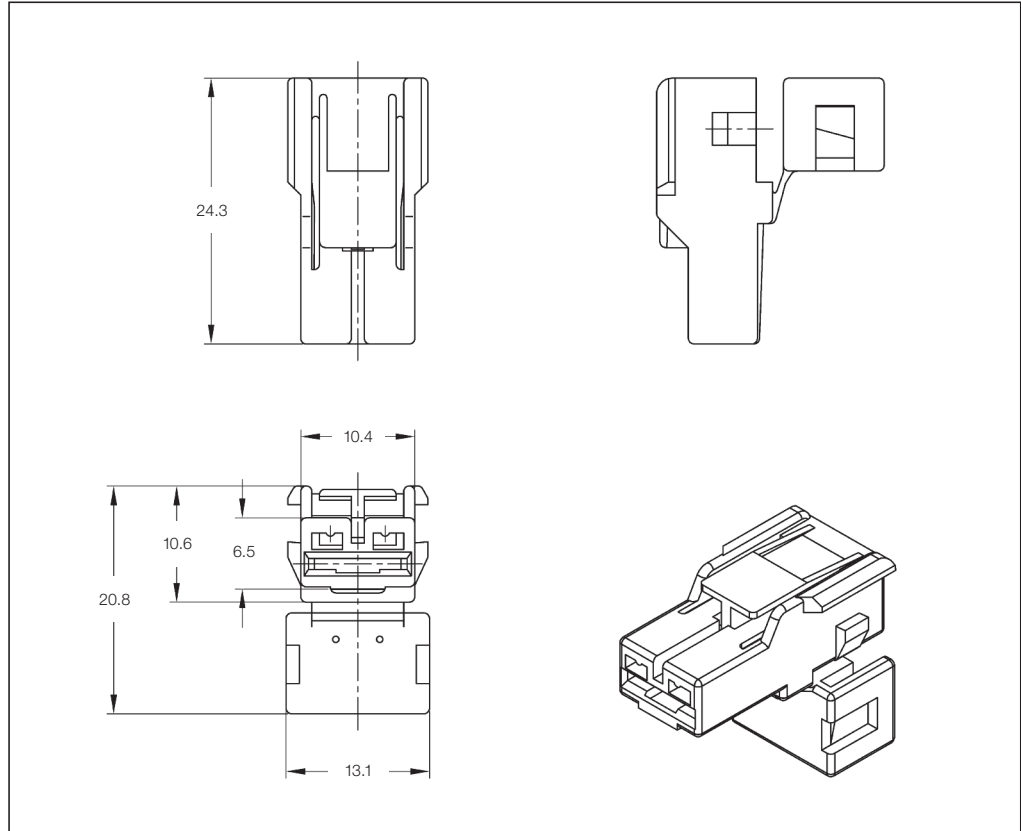
Part No. 170456:  
3.08–5.27 mm<sup>2</sup> (AWG 14–12)

**Product Specification:**

108-5150

**Application Specification:**

114-5060



**1 Position Positive Lock Housing, Double Lock Type**

No. of Positions	Housing Color	Part Numbers			Applicable Terminals
		Receptacle Housing	Package Quantity	Mating Tab Housing	
1	Natural	172863-1	5,000	N/A	170452-1, 170452-2
					170453-2
	Black	172863-2			170454-1, 170454-2
					170455-2
					170456-1, 170456-2

Receptacle Housings 6.3 mm (.250 Series)

**Technical Features**

**No. of Positions:**

2 Position, Parallel Type

**Housing Material:**

PA66 (6/6 Nylon)

**Wire Size Range:**

Part No. 170452 / 170453:  
0.3–0.56 mm<sup>2</sup> (AWG 22–20)

Part No. 170454 / 170455:  
0.75–2.27 mm<sup>2</sup> (AWG 18–14)

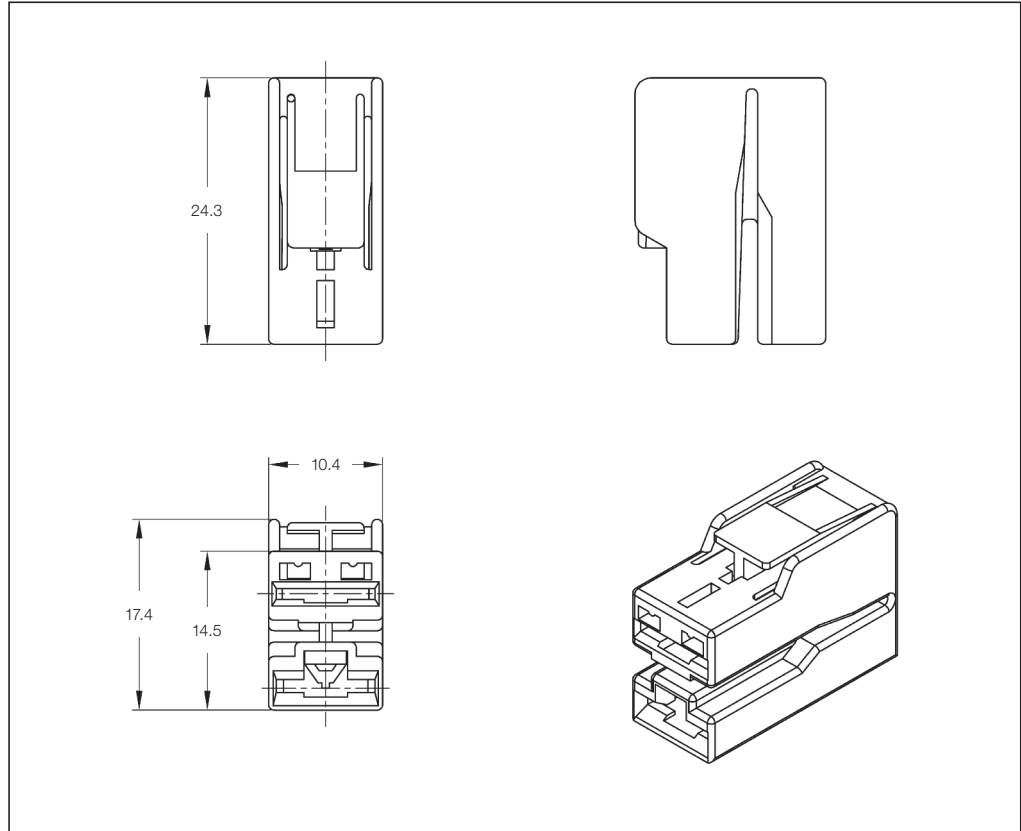
Part No. 170456:  
3.08–5.27 mm<sup>2</sup> (AWG 14–12)

**Product Specification:**

108-5164

**Application Specifications:**

114-5052, 114-5060



**2 Position Positive Lock Housing, Parallel Type**

No. of Positions	Housing Color	Part Numbers			
		Receptacle Housing	Package Quantity	Mating Tab Housing	Applicable Terminals
2	Natural	172433-1	4,500	N/A	170452-1, 170452-2
					170453-2
	Black	172433-2			170454-1, 170454-2
					170455-2
					170456-1, 170456-2

Receptacle Housings 6.3 mm (.250 Series)

**Technical Features**

**No. of Positions:**

2 Position, Double Lock  
Parallel Type

**Housing Material:**

PA66 (6/6 Nylon)

**Wire Size Range:**

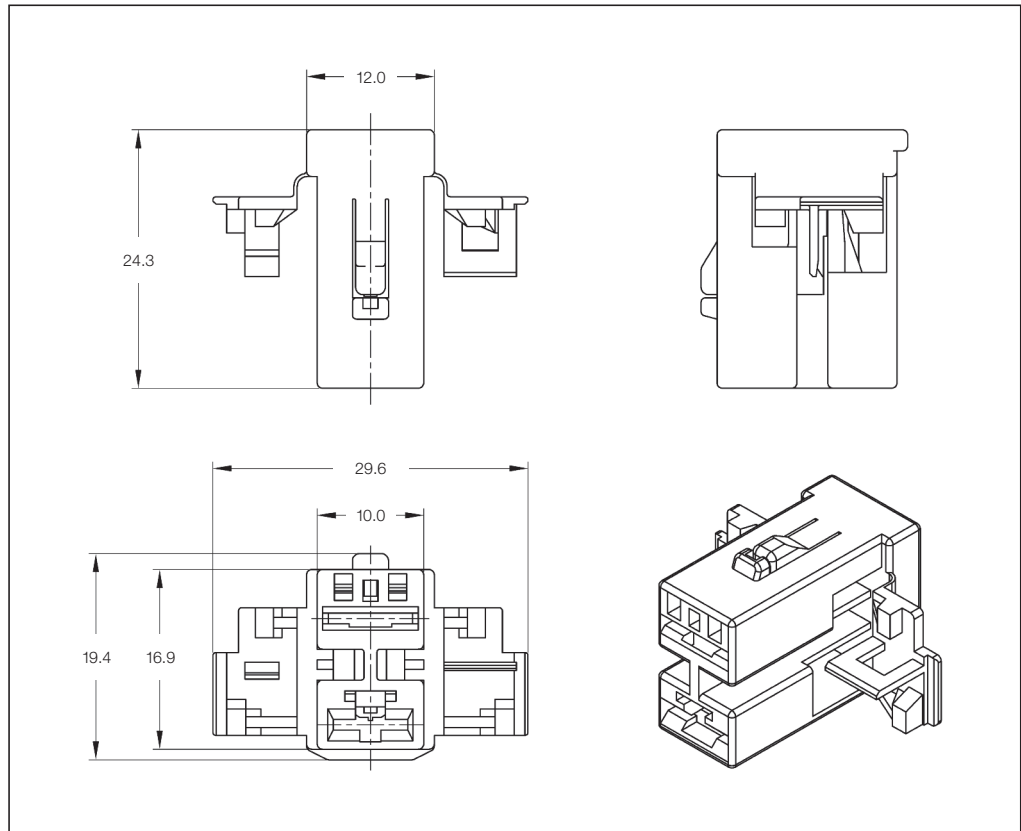
Part No. 170452 / 170453:  
0.3–0.56 mm<sup>2</sup> (AWG 22–20)  
Part No. 170454 / 170455:  
0.75–2.27 mm<sup>2</sup> (AWG 18–14)  
Part No. 170456:  
3.08–5.27 mm<sup>2</sup> (AWG 14–12)

**Product Specification:**

108-5164

**Application Specification:**

114-5060



**2 Position Positive Lock Housing, Double Lock Parallel Type**

No. of Positions	Housing Color	Part Numbers			
		Receptacle Housing	Package Quantity	Mating Tab Housing	Applicable Terminals
2	Black	173713-2	3,000	N/A	170452-1, 170452-2
					170453-2
	Gray	173713-6			170454-1, 170454-2
					170455-2
			170456-1, 170456-2		

Receptacle Housings 6.3 mm (.250 Series)

**Technical Features**

**No. of Positions:**

2 Position, T Type

**Housing Material:**

PA66 (6/6 Nylon)

**Wire Size Range:**

Part No. 170452 / 170453:  
0.3–0.56 mm<sup>2</sup> (AWG 22–20)

Part No. 170454 / 170455:  
0.75–2.27 mm<sup>2</sup> (AWG 18–14)

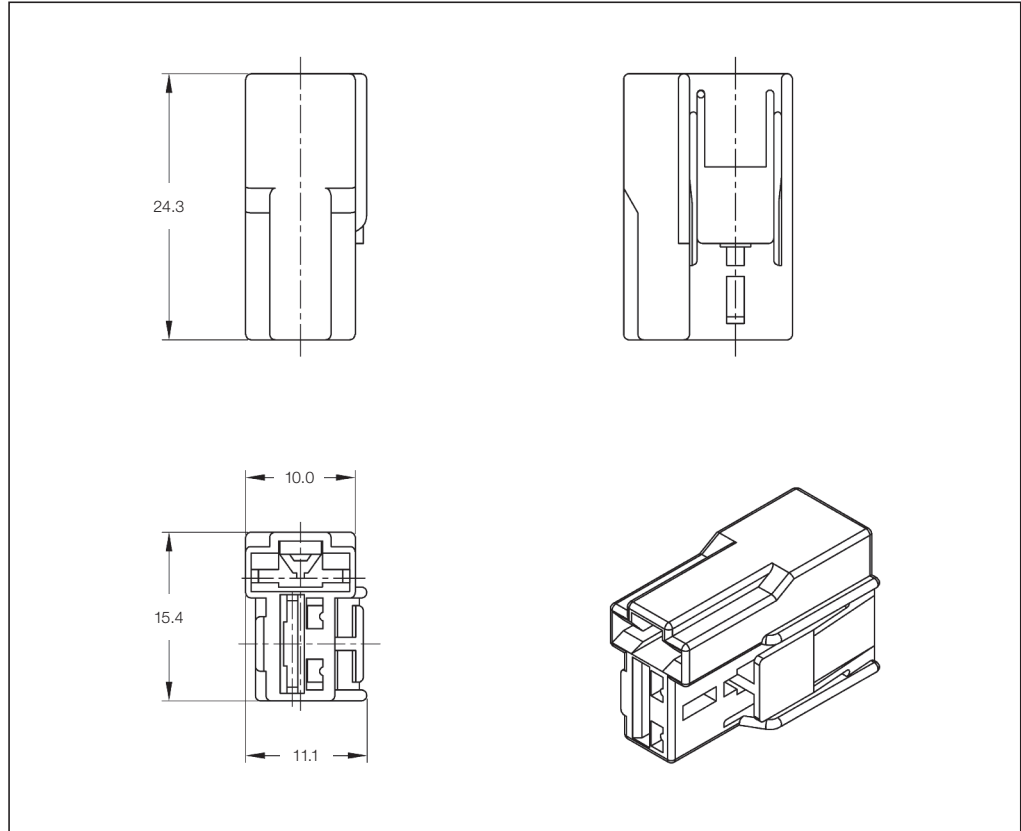
Part No. 170456:  
3.08–5.27 mm<sup>2</sup> (AWG 14–12)

**Product Specification:**

108-5164

**Application Specifications:**

114-5052, 114-5060



**2 Position Positive Lock Housing, T Type**

No. of Positions	Housing Color	Part Numbers			Applicable Terminals
		Receptacle Housing	Package Quantity	Mating Tab Housing	
2	Natural	172434-1	5,000	N/A	170452-1, 170452-2 170453-2
	Black	172434-2	5,500		170454-1, 170454-2 170455-2 170456-1, 170456-2

Receptacle Housings 6.3 mm (.250 Series)

**Technical Features**

**No. of Positions:**

2 Position, Double Lock Type

**Housing Material:**

PA66 (6/6 Nylon)

**Wire Size Range:**

Part No. 170452 / 170453:  
0.3–0.56 mm<sup>2</sup> (AWG 22–20)

Part No. 170454 / 170455:  
0.75–2.27 mm<sup>2</sup> (AWG 18–14)

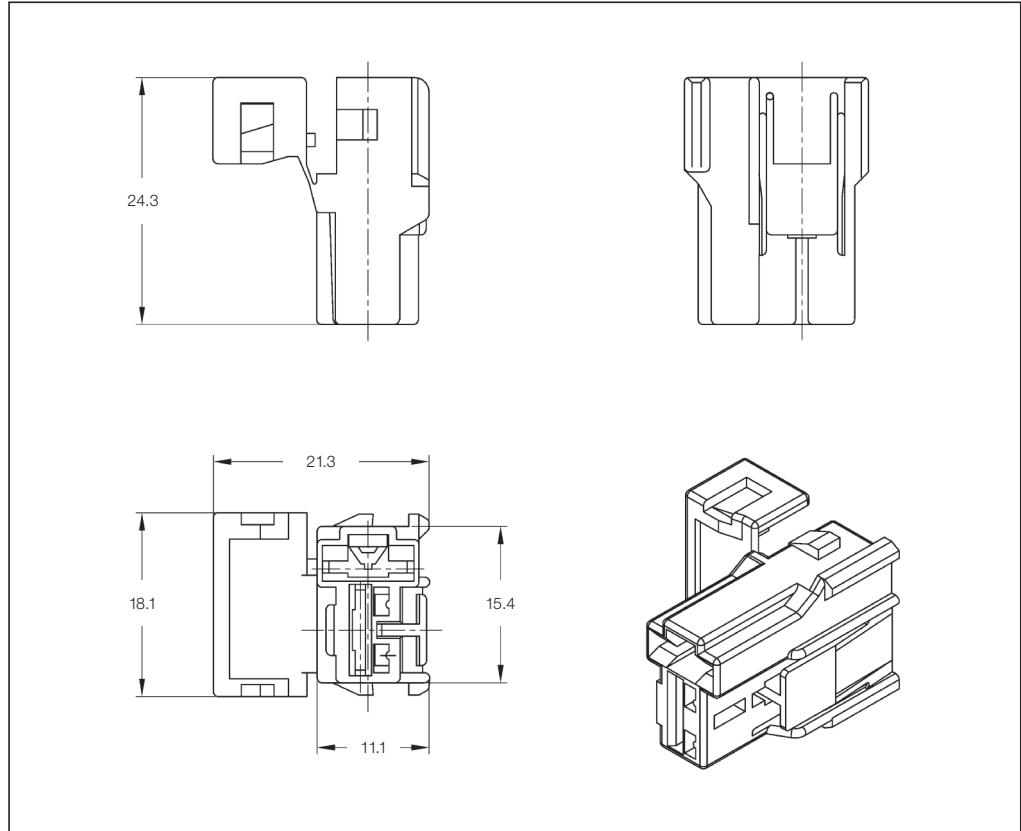
Part No. 170456:  
3.08–5.27 mm<sup>2</sup> (AWG 14–12)

**Product Specification:**

108-5164

**Application Specifications:**

114-5052, 114-5060



**2 Position Positive Lock Housing, Double Lock Type**

No. of Positions	Housing Color	Part Numbers			
		Receptacle Housing	Package Quantity	Mating Tab Housing	Applicable Terminals
2	White	172864-1	3,500	N/A	170452-1, 170452-2
					170453-2
	Black	172864-2			170454-1, 170454-2
					170455-2
170456-1, 170456-2					

Receptacle Housings 7.9 mm (.312 Series)

**Technical Features**

**No. of Positions:**

3 Positions

**Housing Material:**

PA66 (6/6 Nylon)

**Wire Size Range:**

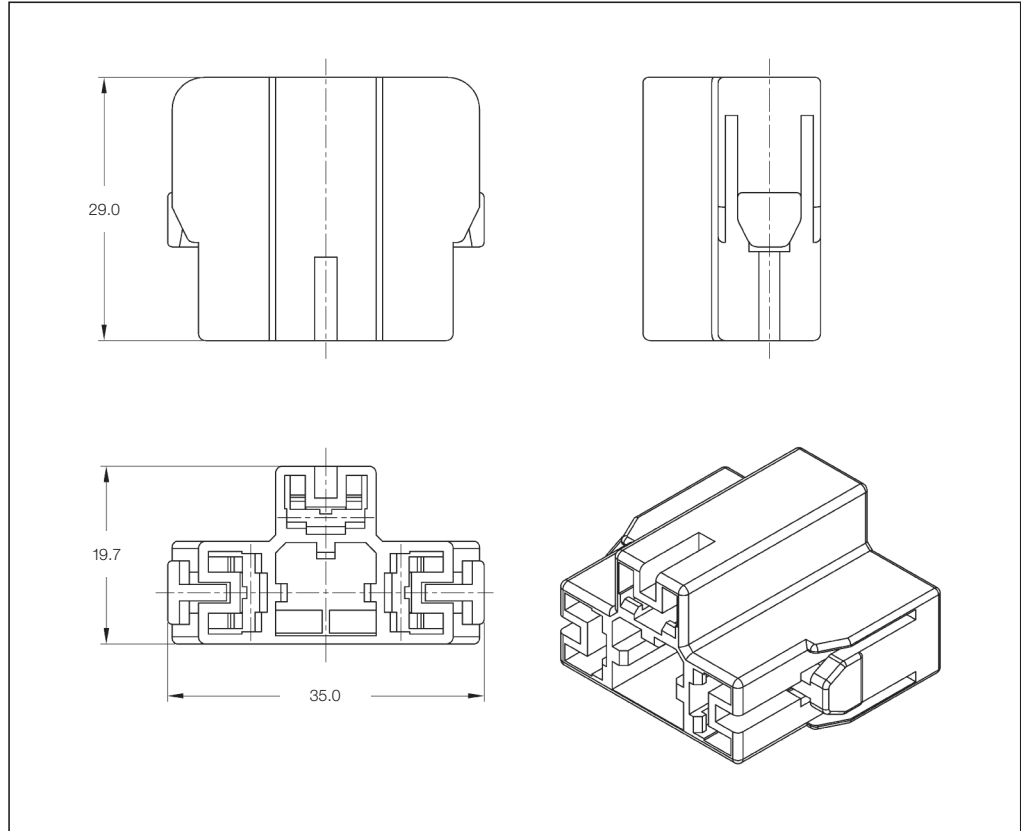
0.5–2.27 mm<sup>2</sup> (AWG 20–14)

**Product Specification:**

108-5131

**Application Specification:**

114-5047



**3 Position Positive Lock Housing**

No. of Positions	Housing Color	Part Numbers			Applicable Terminals
		Receptacle Housing	Package Quantity	Mating Tab Housing	
3	Natural	172236-1	1,500	N/A	170381-1 (3×)
	Black	172236-2			

Receptacle Housings 7.9 mm (.312 Series)

**Technical Features**

**No. of Positions:**

3 Position, Flag Type  
Sealed Beam Connector

**Housing Material:**

PA66 (6/6 Nylon)

**Wire Size Range:**

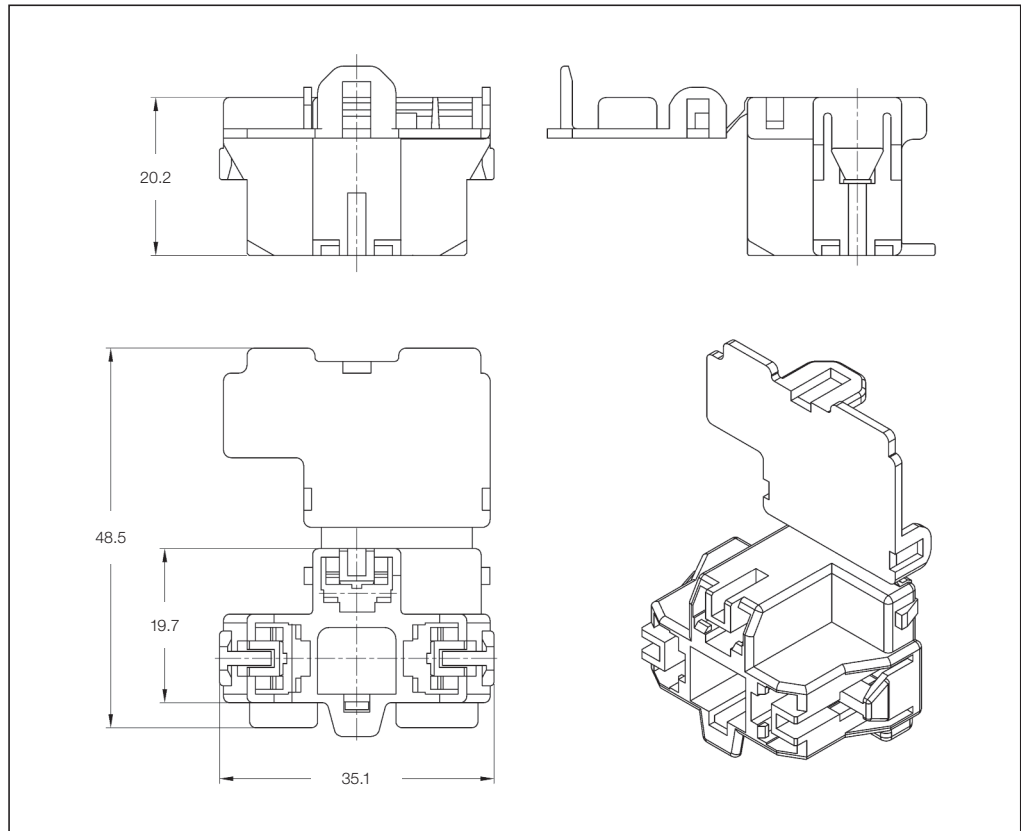
0.5–2.0 mm<sup>2</sup> (AWG 20–14)

**Product Specification:**

108-5131

**Application Specification:**

114-5079



**3 Position Positive Lock Housing, Flag Type**

No. of Positions	Housing Color	Part Numbers			
		Receptacle Housing	Package Quantity	Mating Tab Housing	Applicable Terminals
3	Black	172615-2	1,000	N/A	172795-1 (2×)
					172796-1 (1×)
					900319-1 (2×)
					900318-1 (1×)



## X-ON Electronics

Largest Supplier of Electrical and Electronic Components

*Click to view similar products for [Automotive Connectors](#) category:*

*Click to view products by [TE Connectivity](#) manufacturer:*

Other Similar products are found below :

[003-018-000](#) [600858](#) [60403001](#) [60993906-B](#) [60993913-B](#) [629515004020001](#) [M83723/71R1808N L/C](#) [M902-2131](#) [M902-2161](#) [M902-2344](#)  
[72.330.1035.1](#) [73.353.4028.0](#) [F118010](#) [F119300-B](#) [F132210](#) [F166900](#) [F180100](#) [F258300](#) [F258300-B](#) [F294300-B](#) [F339100](#) [F339700](#)  
[F358300-B](#) [F374110](#) [F407400](#) [F412210](#) [F444110](#) [F487000](#) [F495100](#) [F500900-B](#) [F509500B-B](#) [770444-1](#) [827153-1](#) [881735-1](#)  
[8N1515-32-24P](#) [9-1326729-8](#) [925467-1](#) [925474-1](#) [928905-1](#) [936398-2](#) [964562-4](#) [964731-2](#) [968782-1](#) [GT17SA-8DS-HU](#) [GT17VS-10DP-](#)  
[5.2CF](#) [98315-0001](#) [98315-0010](#) [98891-1012](#) [98895-2014](#) [98936-1039](#)