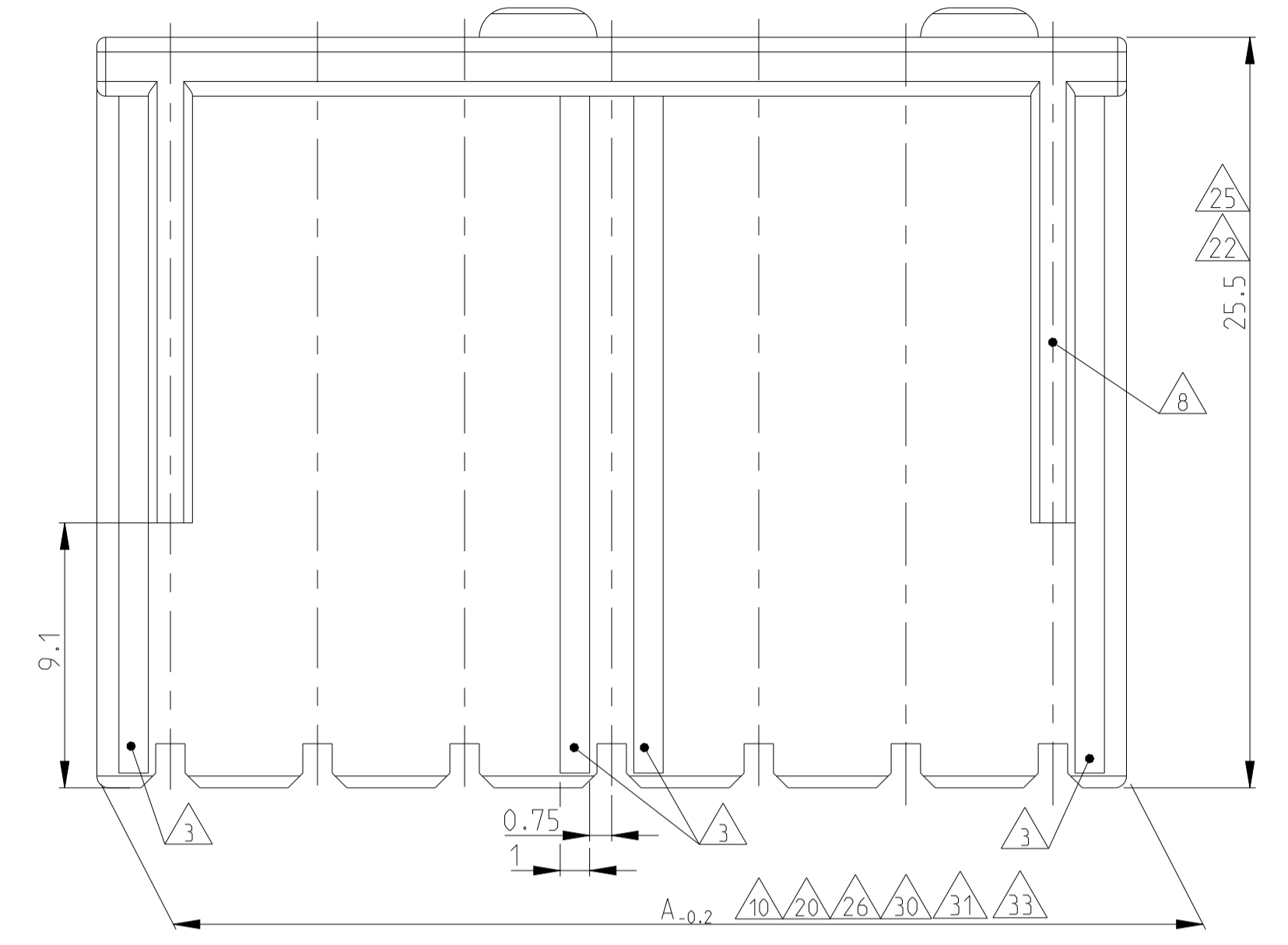
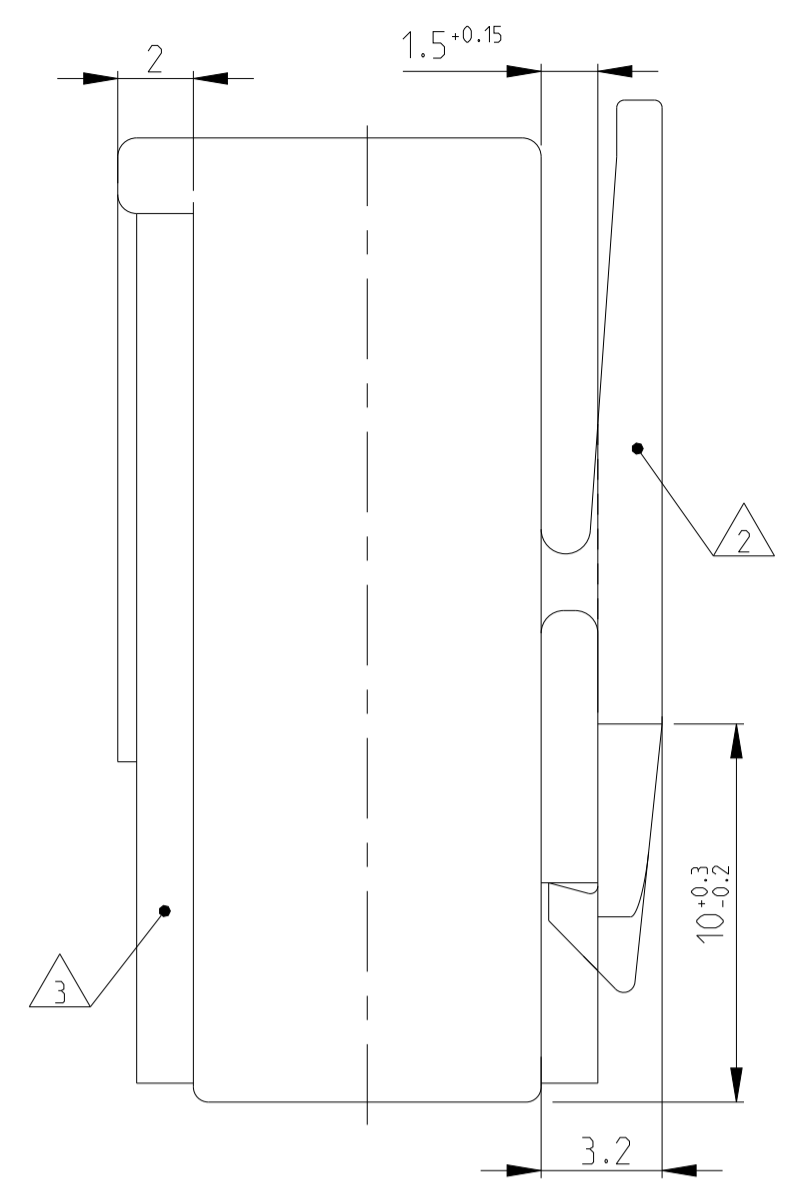
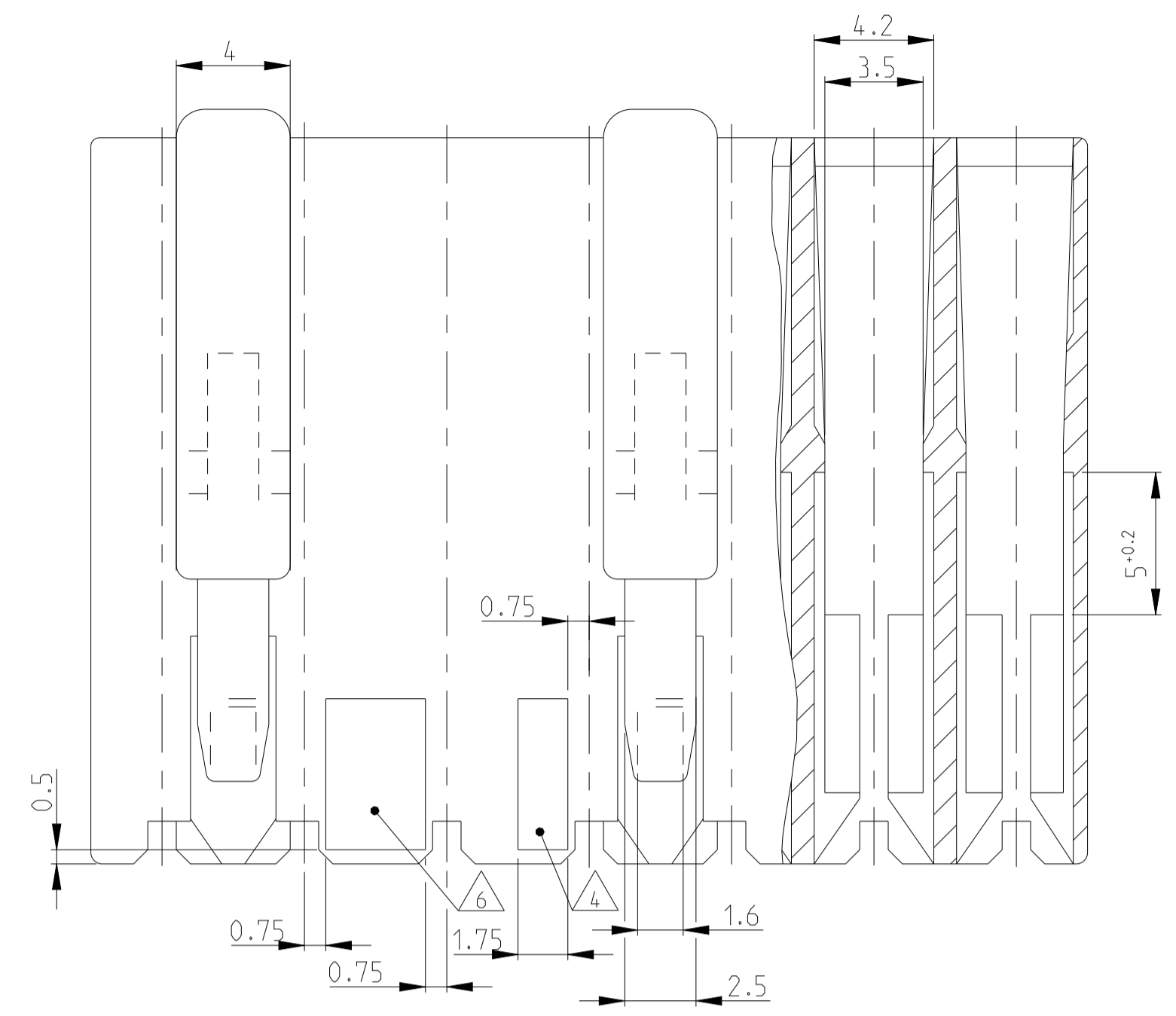
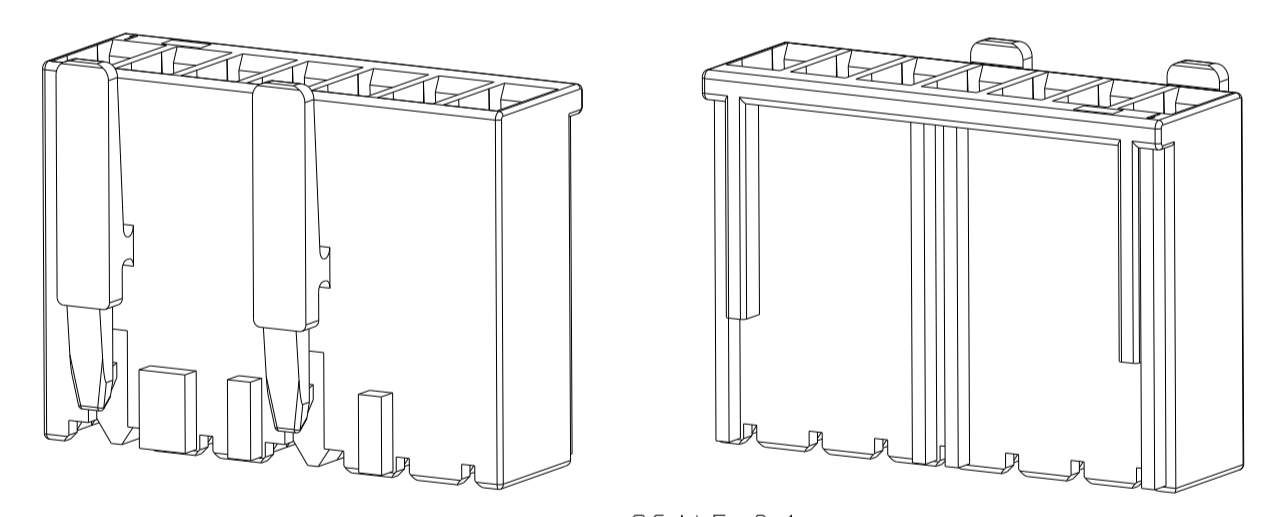
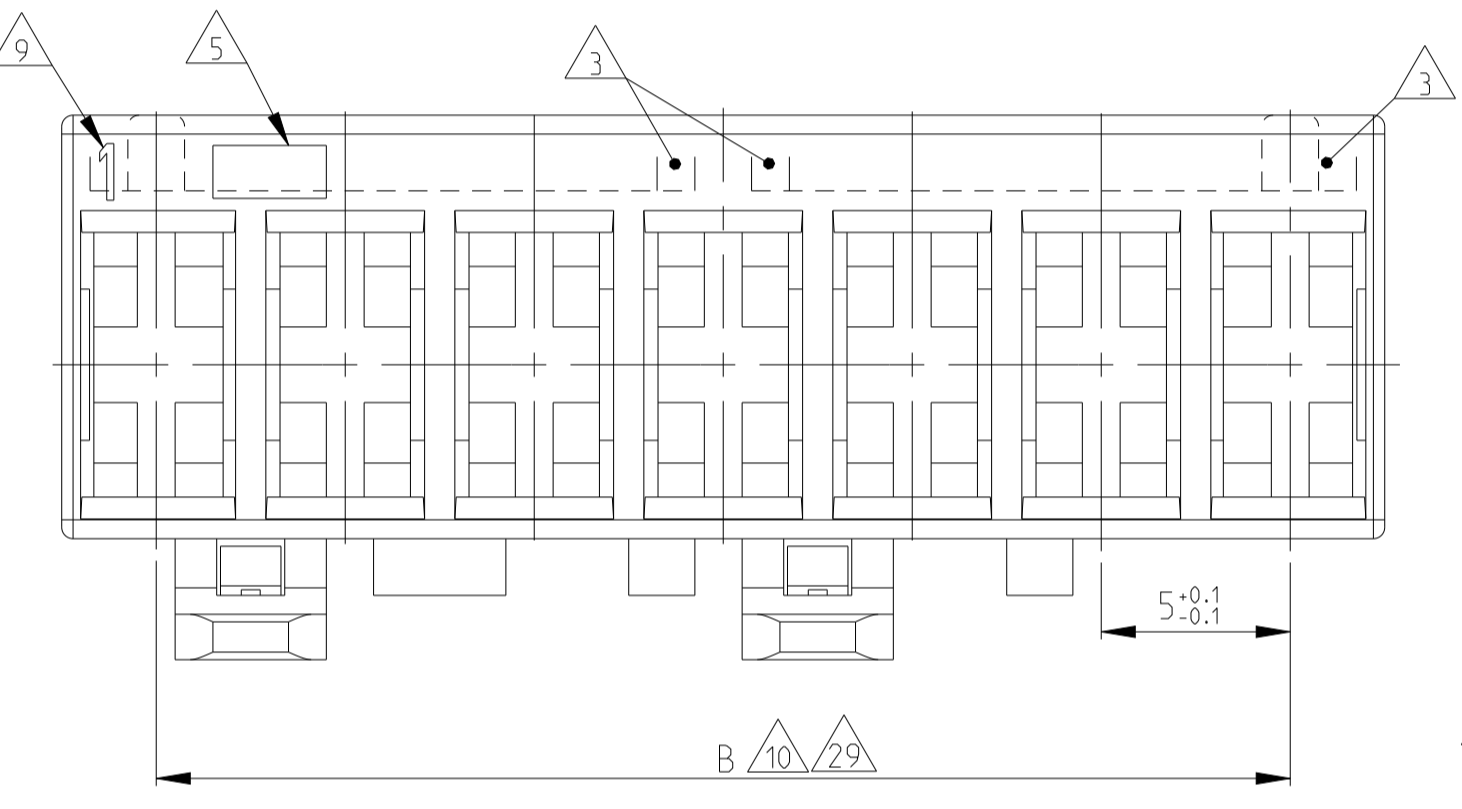
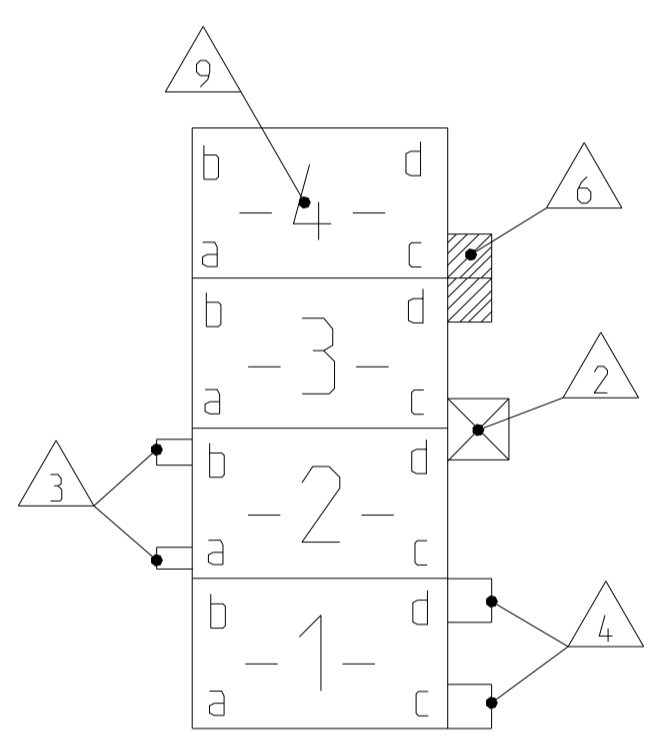
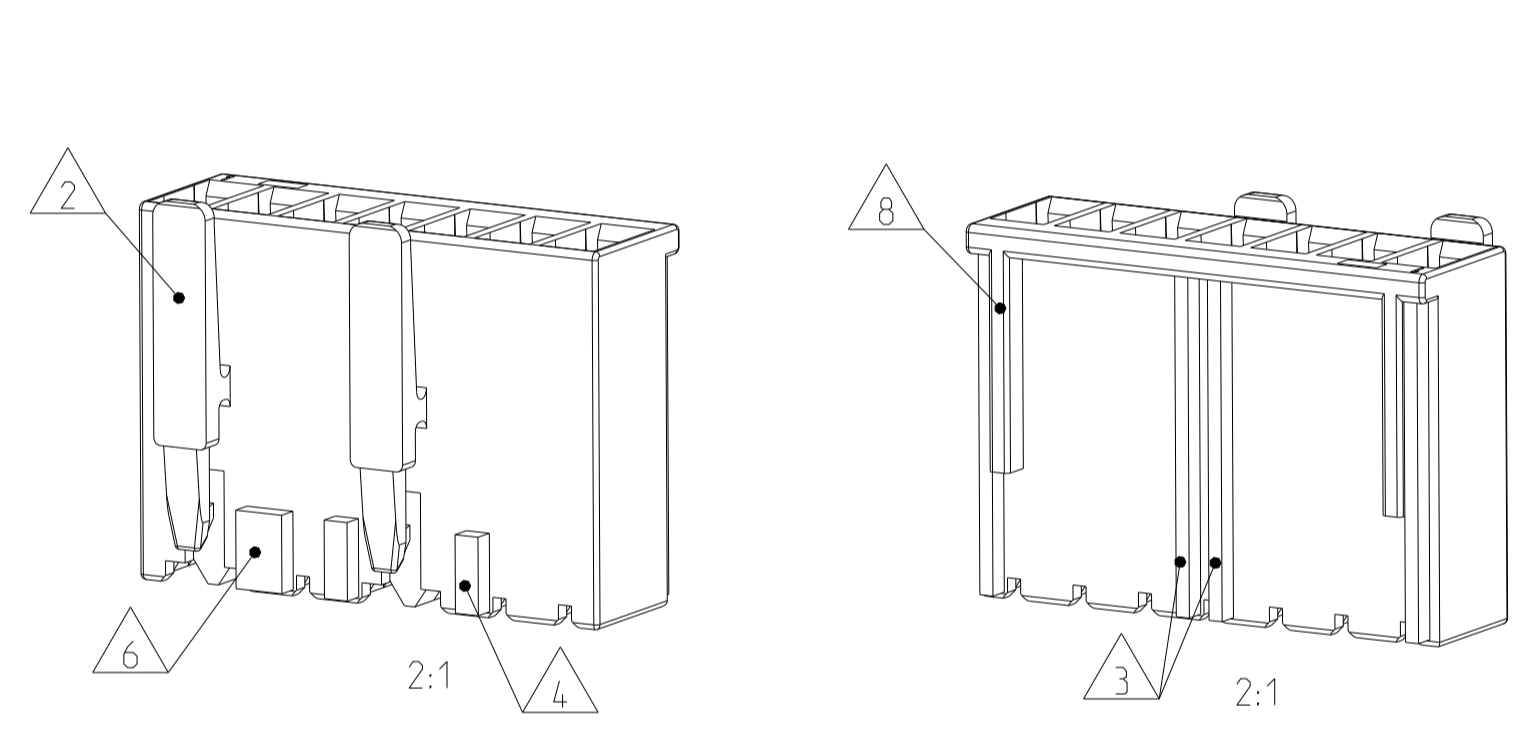


REVISONS		DATE	OWN	APVD
NO.	DESCRIPTION			
B51	ECR-21-100139	12JAN2021	KD	FL
B52	ECR-21-101078	25MAR2021	PJ	FL
B53	ECR-21-101710	15APR2021	PJ	FL
B54	ECR-21-103933	14JUN2021	PJ	FL



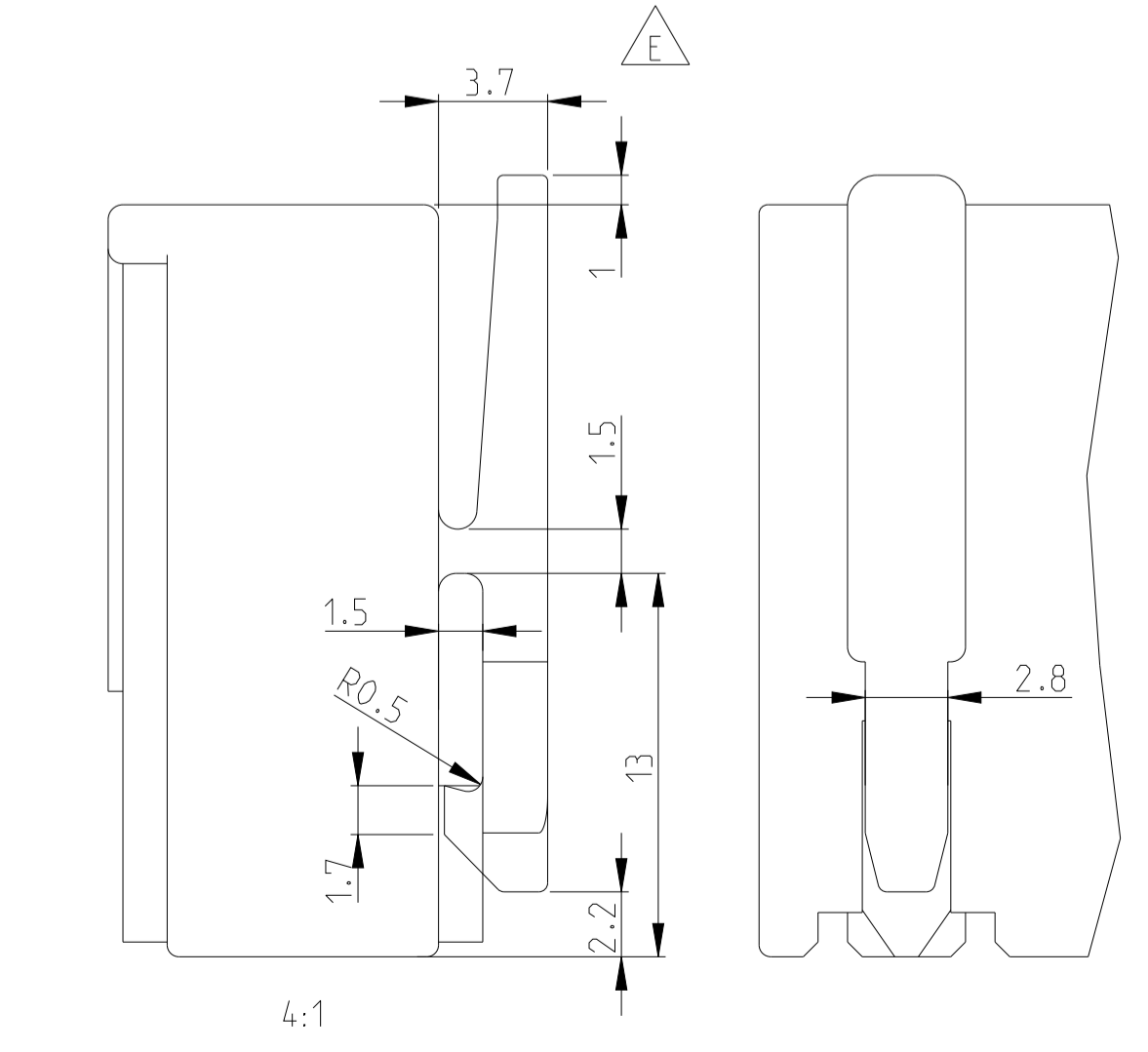
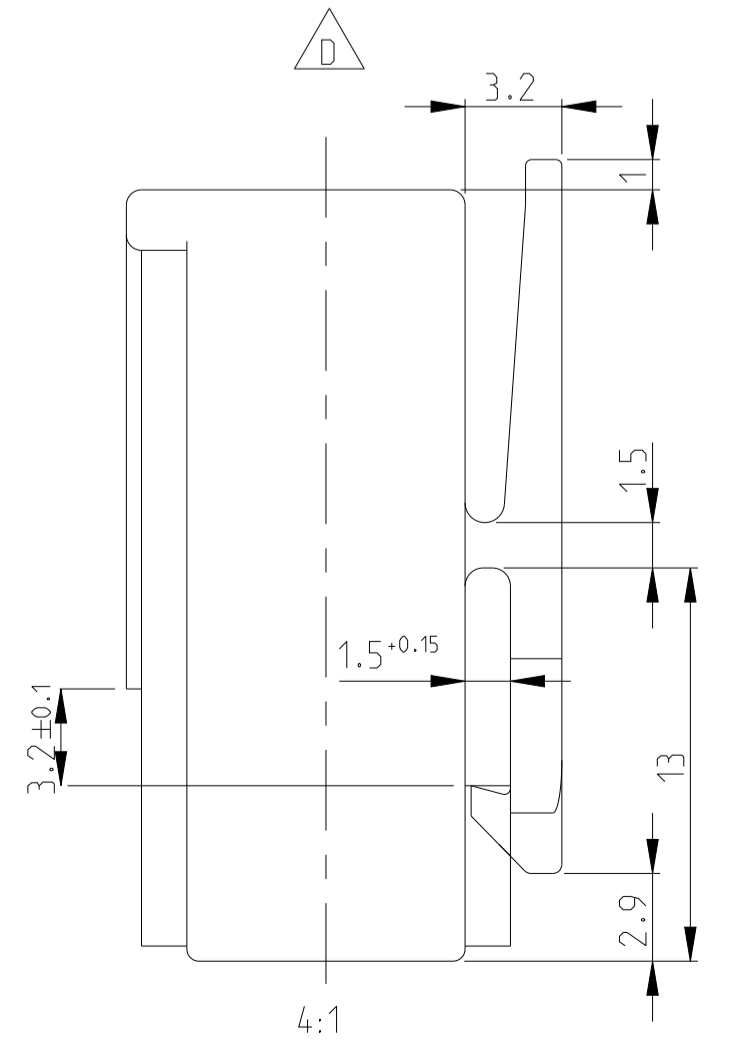
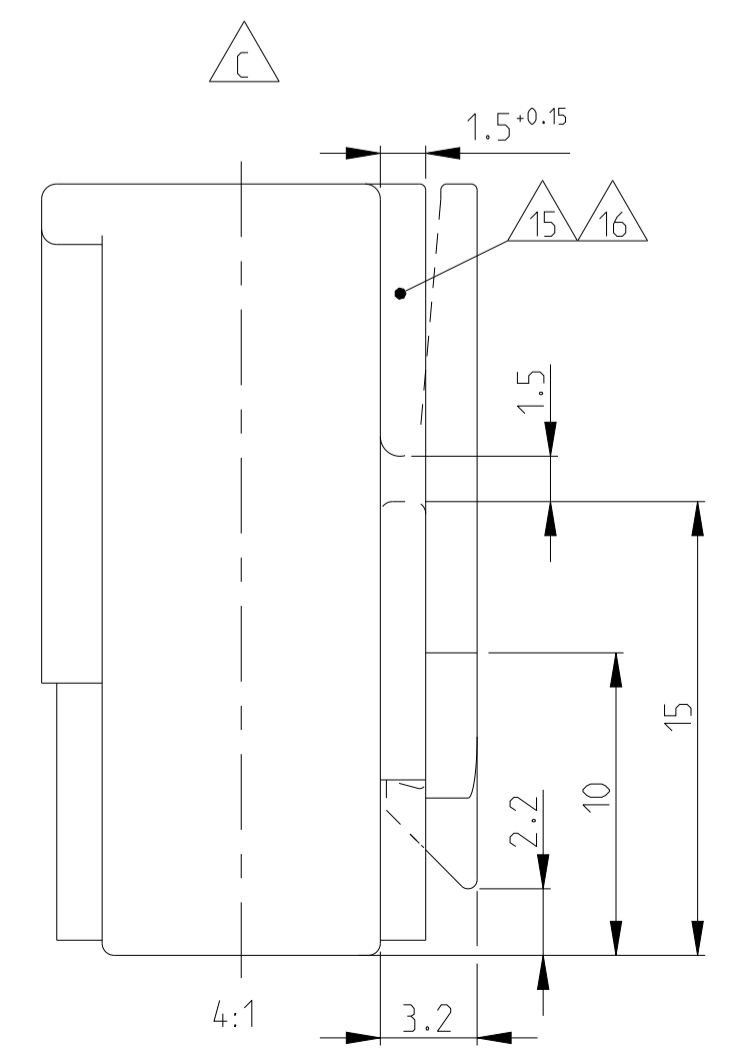
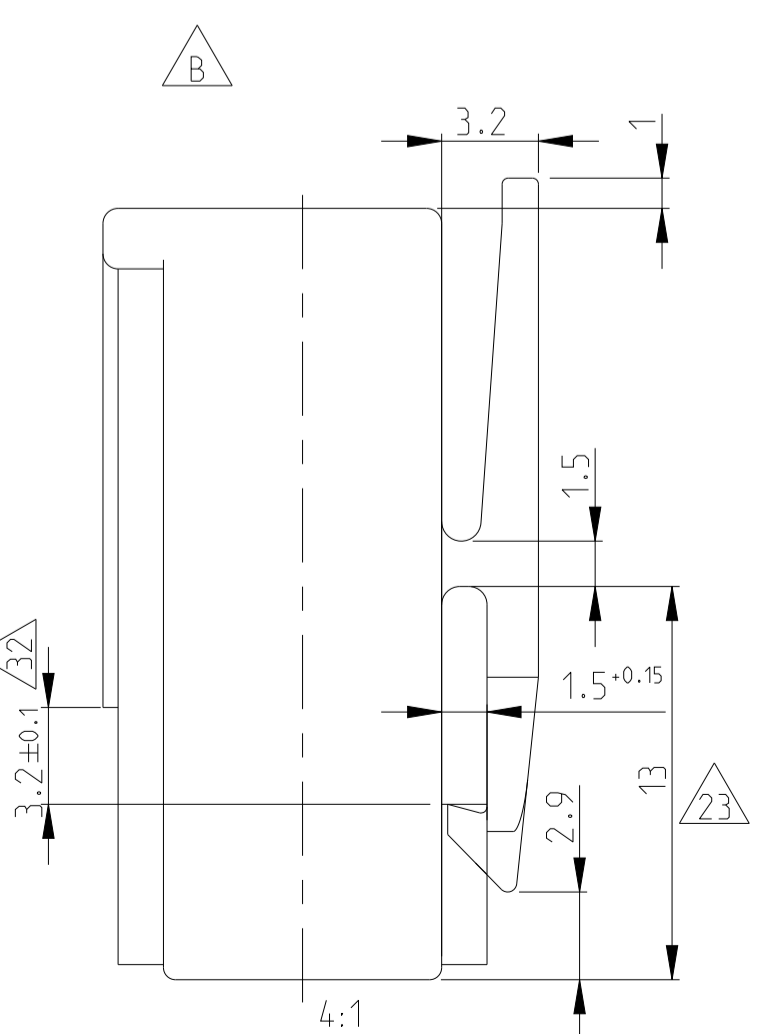
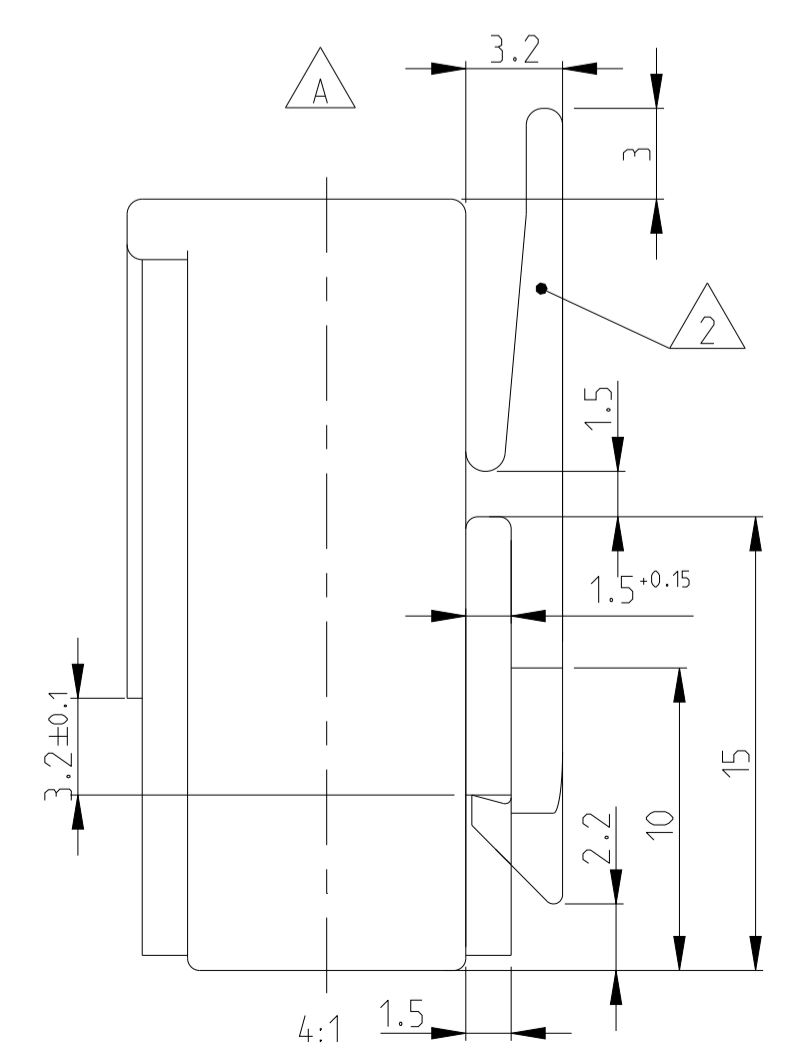
DESCRIPTION
 POSITION OF THE KEYING RIBS, POLARISATION RIBS AND THE LOCKING LATCH



SCALE 2:1

ALL OTHER DIMENSIONS ARE SAME

PAY ATTENTION!
 DIFFERENT LOCKING LATCHES



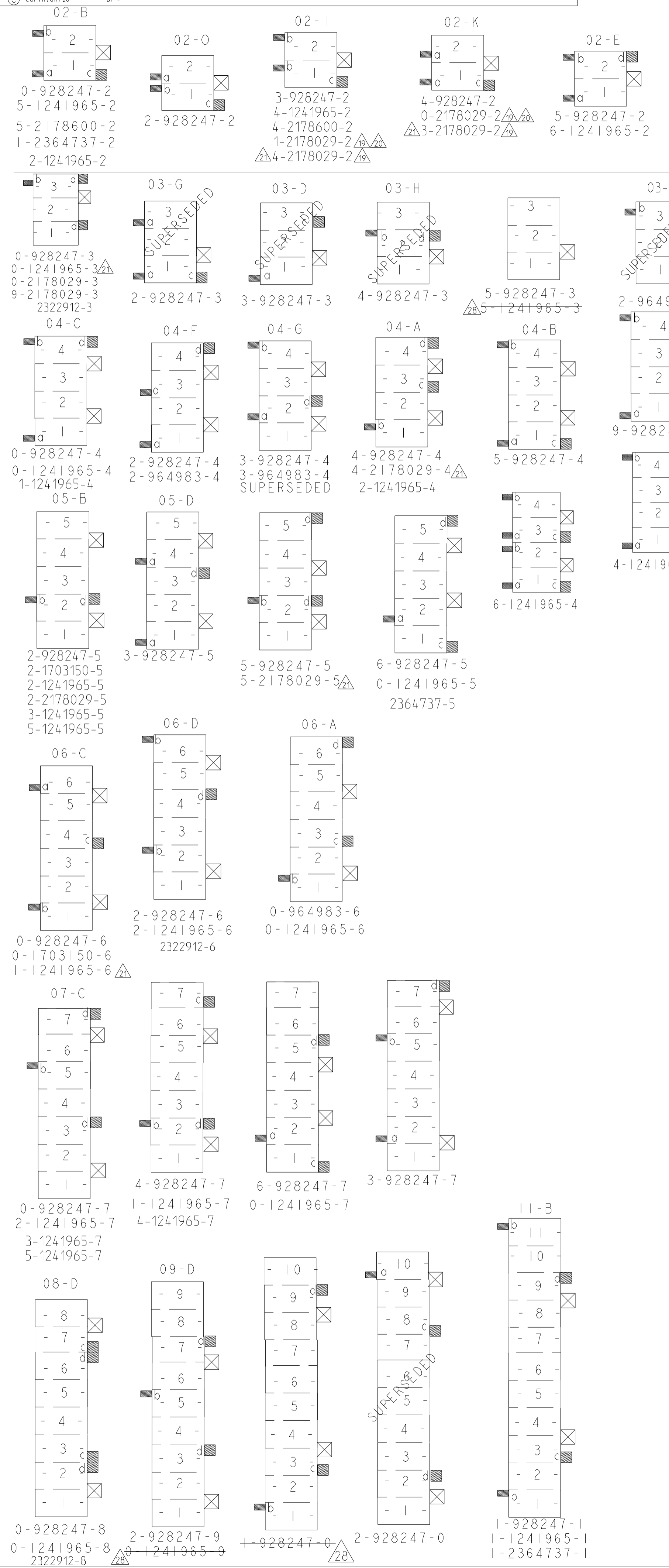
- 1 CAVITY SUITABLE TO STANDARD TIMER CONTACTS LISTED IN PROD: SPEC: 108-18049, ITEM 3.3.2
Kammer geeignet für Standard Timer Kontakte gelistet in Prod. Spec. 108-18049, Punkt 3.3.2
- 2 LOCKING LATCH BETWEEN CAVITY NO. Rasthaken zwischen Kammernummer
- 3 POLARIZATION RIB POSITION "a" OR POSITION "b", AT CAVITY NO..
Polarisierungsrippen (Lage "a") oder (Lage "b") versetzt bei Kammer Nr
- 4 KEYING RIB POSITION "c" OR POSITION "d", AT CAVITY NO.
Kodierungsrippen nach unten (Lage "c") oder oben (Lage "d") versetzt bei Kammernummer
- 5 AREA FOR TE LOGO ACC. TO SPEC 202-36
Bereich für TE Logo nach Spec. 202-36
- 6 WIDTH KEYING RIB BETWEEN CAVITY NO. Breite Kodierrippe zwischen Kammer Nr.
- 7 SUITABLE TO TAB 6.3x0.8mm AND 4.8x0.8mm ACCORDING TO DIN 46244
Geeignet für Flachstecker 6.3x0.8mm und 4.8x0.8mm nach DIN 46244
- 8 MATING STOP BETWEEN CAVITY NO.1 AND 2, ALSO BETWEEN THE LAST AND THE LAST BUT ONE CAVITY
Tiefenanschlag zwischen Kammer Nr.1 und 2, ebenfalls zwischen der letzten und vorletzten Kammer
- 9 CONTACT CAVITY NO. Kammernummer
- 10 DIMENSION A AND DIMENSION B SEE SHEET 2 OF 3
Maß A und Maß B siehe Blatt 2 von 3
- 11 MATED WITH TE CONNECTOR: SEE TABLE, SHEET 2 OF 3
Passender TE Gegenstecker: siehe Tabelle, Seite 2 von 3
- 12 GENERAL SUITABLE TAB HEADER HOUSING SEE RAST 5 PERFORMANCE
Generell passende Flachsteckerwanne, siehe RAST 5 Vorgabe
- 13 CONNECTION TO THE PC BOARD SEE DRAWING 88-9935-4
Leiterplattenanschluß siehe Zeichnung 88-9935-4
- A B SEE TABLE, SHEET 2 OF 3
C D E Siehe Tabelle, Blatt 2 von 3
- 14 MATERIAL CORRESPONDS TO THE REQUIREMENT EN 60335 (INCL. GLOW WIRE TEST 750°C WITHOUT FLAME)
- 15 WIRE TANGLING PROTECTION
- 16 WIRE TANGLING PROTECTION IN COMBINATION WITH CODING RIBS, ONLY VALID FOR VERSIONS 5-964702-3, 0-964702-3, 0-964702-1
- 17 KEYING ACC. TO RAST-5 STANDARD; COLOUR IS DIFFERENT
- 18 8 POS. SPECIAL VERSION WITH SWAGED KEYING RIB
- 19 SPECIAL MATERIAL PA66, UL 94 V0
- 20 DIMENSION "A" IS ACCEPTED WITHIN TOLERANCE +0.05/-0.20.
- 21 PRELIMINARY PART- NOT YET RELEASED FOR PRODUCTION
- 22 ONLY FOR PN 2178600-2, 3-2178600-2, 4-2178600-2, 5-2178600-2, TOLERANCE IS +0.4 -0.2, WORST CASE CAN BE OUT OF RAST STANDARD.
- 23 ONLY FOR PN 2178600-2, 3-2178600-2, 4-2178600-2, 5-2178600-2, TOLERANCE IS +0.4 -0.2
- 24 ONLY FOR PN 2178600-2, 3-2178600-2, 4-2178600-2, 5-2178600-2, TOLERANCE IS ±4°
- 25 ONLY FOR PN 3-1241965-5, 3-1241965-7 TOLERANCE IS +0.3 -0.2
- 26 ONLY FOR PN 3-1241965-5, 3-1241965-7 TOLERANCE IS +0.2 -0.2
- 27 ONLY FOR PN 3-1241965-5, 3-1241965-7 TOLERANCE IS +0.05 -0.2
- 28 OBSOLETE PART
- 29 ONLY FOR 4-1241965-7, 1-2364737-1, TOLERANCE IS -0.3
- 30 ONLY FOR 4-1241965-7, TOLERANCE IS +0.2/-0.25
- 31 ONLY FOR 1-2178029-3, TOLERANCE IS +0.15/-0.2

ADDITIONAL NOTES SEE 3 OF SHEET 4

THIS DRAWING IS A CONTROLLED DOCUMENT.		OWN: Kishor M	16JUL2017	TE Connectivity
DIMENSIONS: mm		CHK: K. MUDZ	07-NOV-06	
TOLERANCES UNLESS OTHERWISE SPECIFIED:		APVD: Th. Klenner	07-NOV-06	NAME: 2-12 POS. STANDARD TIMER HSG WITH EXTERIOR LOCKING
0-PLC ±0.2 1-PLC ±0.1 2-PLC ±0.05 3-PLC ±0.001 4-PLC ±0.0001		PRODUCT SPEC: 108-18049-1 APPLICATION SPEC:		
MATERIAL: SEE TABLES		WEIGHT: -	SIZE: A1	RESTRICTED TO: -
FINISH: -		Customer Drawing	SCALE: 5:1	SHEET: 1 OF 4
			REV: B54	

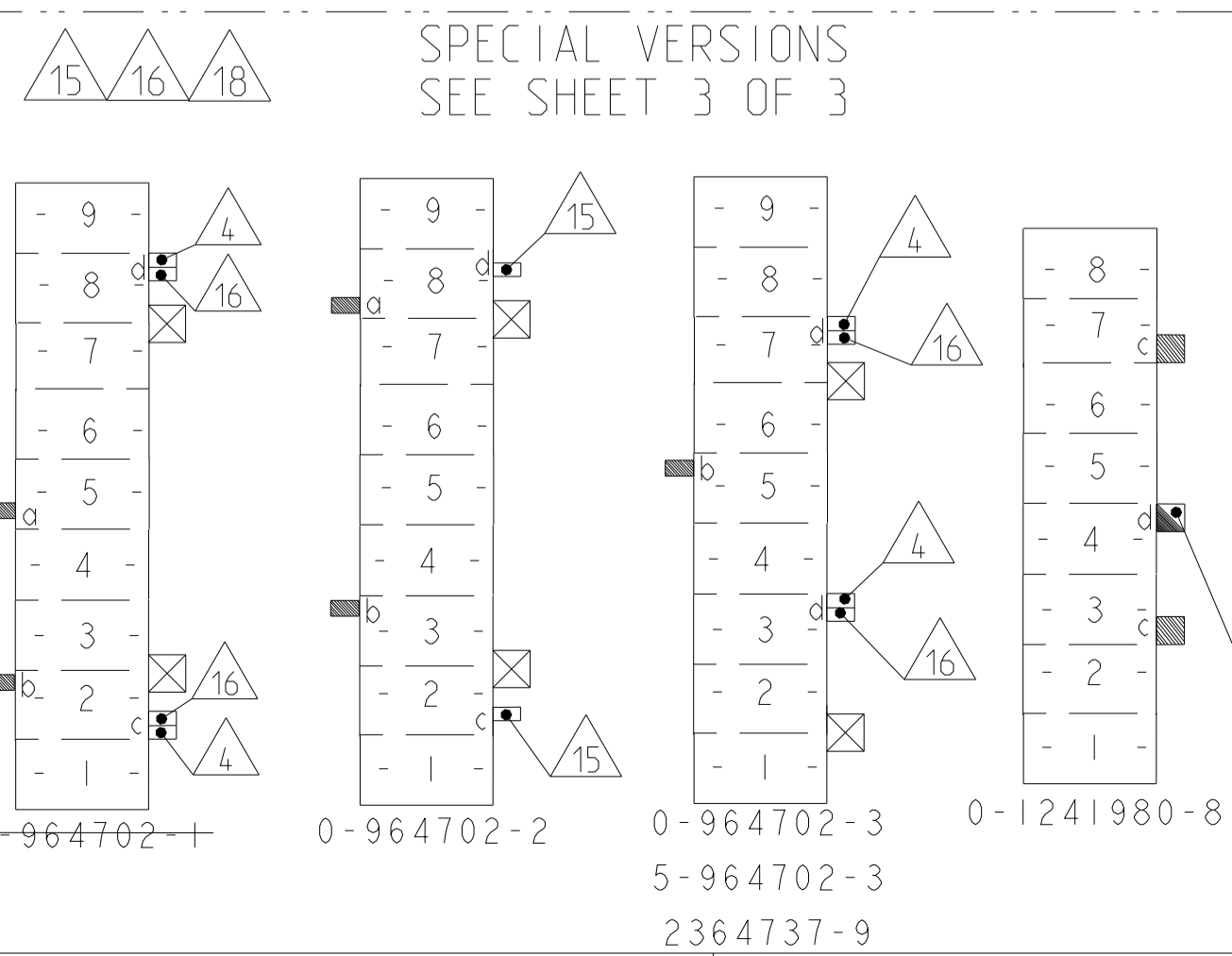
KEYING PLAN

LOC	DIST	P	LTN	REVISIONS	DATE	OWN	APVD
A1	-	-	-	SEE SHEET 1	-	-	-



PART NO.	POS.	RAST 5	DIM A	DIM B	COLOUR	MATERIAL	LOCKING LATCH	MATED WITH
Bestell-Nr.	Pol.	Rast 5	Maß A	Maß B	Farbe		Rasthaken	Gegenstecker
3-1241965-7	7	07-C	35	30	NATURAL	PA6 GF15	D	UL94V-2
3-1241965-5	5	05-B	25	20	NATURAL	UL94V-2	D	UL94V-2
8-2178600-2	2	02-C	10	5	NATURAL	PA6 GF15	B	UL94V-2
5-2178600-2	2	02-B	10	5	BLACK	UL94V-2	B	UL94V-2
4-2178600-2	2	02-I	10	5	RED	UL94V-2	B	UL94V-2
3-2178600-2	2	02-G	10	5	BLUE	UL94V-2	B	UL94V-2
0-2178600-2	2	02-A	10	5	NATURAL	UL94V-2	B	UL94V-2
2-1241965-7	7	07-C	35	30	NATURAL	PA6 GF15	B	UL94V-2
1-1241965-6	6	06-C	30	25	NATURAL	UL94V-2	B	UL94V-2
0-1241965-6	6	06-A	30	25	NATURAL	UL94V-2	B	UL94V-2
5-1241965-3	3	-	15	10	NATURAL	UL94V-2	A	UL94V-2
0-1241965-3	3	-	15	10	NATURAL	UL94V-2	B	UL94V-2
6-1241965-2	2	02-E	10	5	NATURAL	UL94V-2	B	UL94V-2
5-2178029-5	5	-	25	20	GREEN	PA66	B	UL94V-0
2-2178029-5	5	-	25	20	BLACK	UL94V-0	B	UL94V-0
4-2178029-4	4	-	20	15	NATURAL	UL94V-0	B	UL94V-0
9-2178029-3	3	-	15	10	YELLOW	UL94V-0	B	UL94V-0
1-2178029-3	3	-	15	10	NATURAL	UL94V-0	B	UL94V-0
0-2178029-3	3	-	15	10	NATURAL	UL94V-0	B	UL94V-0
5-2178029-2	2	02-B	10	5	NATURAL	UL94V-0	B	UL94V-0
4-2178029-2	2	02-I	10	5	NATURAL	UL94V-0	B	UL94V-0
3-2178029-2	2	02-K	10	5	NATURAL	UL94V-0	B	UL94V-0
2-2178029-2	2	02-B	10	5	BLACK	UL94V-0	B	UL94V-0
1-2178029-2	2	02-I	10	5	RED	UL94V-0	B	UL94V-0
0-2178029-2	2	02-K	10	5	GREEN	UL94V-0	B	UL94V-0

PART NO.	POS.	RAST 5	DIM A	DIM B	COLOUR	MATERIAL	LOCKING LATCH	MATED WITH
Bestell-Nr.	Pol.	Rast 5	Maß A	Maß B	Farbe		Rasthaken	Gegenstecker
7-1241965-2	2	02-M	10	5	NATURE	UL94 V-0	B	UL94 V-0
0-1241980-8	8	-	40	35	NATURE/natur	UL94V-0	-	UL94V-0
5-964702-3	-	-	45	40	NATURE/natur	UL94V-2	-	UL94V-2
0-964702-3	-	-	-	-	NATURE/natur	UL94V-2	-	UL94V-2
0-964702-2	-	-	-	-	BLACK/schwarz	UL94V-2	-	UL94V-2
0-964702-1	-	-	-	-	NATURE/natur	UL94V-2	-	UL94V-2
0-964983-6	6	06-A	30	25	WHITE/weiß	UL94V-2	B	UL94V-2
3-1241817-4	4	04-G	20	15	GREY/grau	UL94V-2	B	UL94V-2
2-964983-4	4	04-F	20	15	ORANGE/orange	UL94V-2	B	UL94V-2
2-1241817-3	3	03-K	15	10	GREEN/grün	UL94V-2	B	UL94V-2
2-964983-2	2	02-M	10	5	VIOLET/violett (lila)	UL94V-2	B	UL94V-2
2-964983-2	2	02-G	10	5	BLUE/blau	UL94V-2	B	UL94V-2
0-964983-2	2	02-D	10	5	BLACK/schwarz	UL94V-2	B	UL94V-2
1-1241965-1	11	11-B	55	50	NATURE/natur	UL94V-2	B	UL94V-2
0-1241965-9	9	09-D	45	40	NATURE/natur	UL94V-2	B	UL94V-2
0-1241965-8	8	08-D	40	35	NATURE/natur	UL94V-2	B	UL94V-2
1-1241965-7	7	-	35	30	NATURE/natur	UL94V-2	B	UL94V-2
0-1241965-7	7	-	35	30	NATURE/natur	UL94V-2	B	UL94V-2
2-1241965-6	6	06-D	30	25	NATURE/natur	UL94V-2	B	UL94V-2
2-1241965-5	5	05-B	25	20	NATURE/natur	UL94V-2	B	UL94V-2
0-1241965-5	5	-	25	20	NATURE/natur	UL94V-2	B	UL94V-2
6-1241965-4	4	-	20	15	NATURAL	UL94V-2	B	UL94V-2
0-1241965-4	4	04-C	20	15	NATURE/natur	UL94V-2	B	UL94V-2
9-1241965-2	2	-	10	5	NATURE/natur	UL94V-2	B	UL94V-2
5-1241965-2	2	02-B	10	5	BLACK/schwarz	UL94V-2	B	UL94V-2
4-1241965-2	2	02-I	10	5	RED/rot	UL94V-2	B	UL94V-2
3-1241965-2	2	02-G	10	5	BLUE/blau	UL94V-2	B	UL94V-2
0-1241965-2	2	02-A	10	5	NATURE/natur	UL94V-2	B	UL94V-2
1-928247-1	11	11-B	55	50	YELLOW/gelb	UL94V-2	B	UL94V-2
2-928247-0	10	-	50	45	GREY/grau	UL94V-2	B	UL94V-2
1-928247-0	10	-	50	45	BROWN/braun	UL94V-2	B	UL94V-2
2-928247-9	9	09-D	45	40	BLUE/blau	UL94V-2	B	UL94V-2
0-928247-8	8	08-D	40	35	BLUE/blau	UL94V-2	B	UL94V-2
6-928247-7	7	-	35	30	GREEN/grün	UL94V-2	A	UL94V-2
4-928247-7	7	-	35	30	NATURE/natur	UL94V-2	A	UL94V-2
3-928247-7	7	-	35	30	NATURE/natur	UL94V-0	A	UL94V-0
0-928247-7	7	07-C	35	30	GREY/grau	UL94V-0	B	UL94V-0
2-928247-6	6	06-D	30	25	BLUE/blau	UL94V-0	B	UL94V-0
0-1703150-6	6	06-C	30	25	GREY/grau	UL94V-2	A	UL94V-2
0-928247-6	6	06-C	30	25	GREY/grau	UL94V-2	B	UL94V-2
6-928247-5	5	-	25	20	NATURE/natur	UL94V-2	B	UL94V-2
5-928247-5	5	-	25	20	GREEN/grün	UL94V-2	B	UL94V-2
3-928247-5	5	05-D	25	20	BLUE/blau	UL94V-2	A	UL94V-2
2-1703150-5	5	05-B	25	20	BLACK/schwarz	UL94V-2	A	UL94V-2
2-928247-5	5	05-B	25	20	BLACK/schwarz	UL94V-2	B	UL94V-2
9-928247-4	4	-	20	15	NATURE/natur	UL94V-0	A	UL94V-0
5-928247-4	4	04-B	20	15	BLACK/schwarz	UL94V-0	A	UL94V-0
4-928247-4	4	04-A	20	15	NATURE/natur	UL94V-0	B	UL94V-0
3-928247-4	4	04-G	20	15	VIOLET/violett (lila)	UL94V-0	B	UL94V-0
2-928247-4	4	04-F	20	15	WHITE/weiß	UL94V-0	B	UL94V-0
0-928247-4	4	04-C	20	15	GREY/grau	UL94V-0	B	UL94V-0
5-928247-3	3	-	15	10	NATURE/natur	UL94V-2	A	UL94V-2
4-928247-3	3	03-H	15	10	BROWN/braun	UL94V-2	A	UL94V-2
3-928247-3	3	03-D	15	10	BLUE/blau	UL94V-2	A	UL94V-2
2-928247-3	3	03-G	15	10	VIOLET/violett (lila)	UL94V-2	A	UL94V-2
0-928247-3	3	-	15	10	YELLOW/gelb	UL94V-2	B	UL94V-2
9-928247-2	2	-	10	5	NATURE/natur	UL94V-2	B	UL94V-2
8-928247-2	2	02-C	10	5	GREY/grau	UL94V-2	B	UL94V-2
7-928247-2	2	02-P	10	5	PURPLED/purpurrot	UL94V-2	A	UL94V-2
6-928247-2	2	02-A	10	5	NATURE/natur	UL94V-2	B	UL94V-2
5-928247-2	2	02-E	10	5	GREEN/grün	UL94V-2	B	UL94V-2
4-928247-2	2	02-K	10	5	YELLOW GREEN/gelbgrün	UL94V-2	B	UL94V-2
3-928247-2	2	02-I	10	5	ORANGE/orange	UL94V-2	A	UL94V-2
2-928247-2	2	02-O	10	5	PINK/rosa	UL94V-2	A	UL94V-2
0-928247-2	2	02-B	10	5	BLACK/schwarz	UL94V-2	B	UL94V-2



THIS DRAWING IS A CONTROLLED DOCUMENT.

DIMENSIONS: mm

TOLERANCES UNLESS OTHERWISE SPECIFIED:

0-PLC	#0.2
1-PLC	#0.1
2-PLC	#0.05
3-PLC	#0.001
4-PLC	#0.0001

ANGLES FINISH

WEIGHT

Customer Drawing

SCALE 5:1 SHEET 2 OF 4 REV B54

TE Connectivity

2-12 POS. STANDARD TIMER HSG WITH EXTERIOR LOCKING

SIZE CAGE CODE DRAWING NO. RESTRICTED TO

A1 00779 ©=1241965


LOC	DIST	REVISIONS					
		P	LTN	DESCRIPTION	DATE	DWN	APVD
A1	-			SEE SHEET 1			

- △32 ONLY FOR 2322912-3. TOLERANCE IS +0.1/-0.15
- △33 ONLY FOR 2322912-6. 1-2364737-1. TOLERANCE IS -0.30
- △34 CANDIDATE PRELIMINARY P/N. NOT YET OFFICIAL. ONLY FOR DISCUSSION. NOT YET RELEASED FOR PRODUCTION.
- △35 DOUBLE SOURCE RESIN: ALTERNATIVE RESIN UNDER APPROVAL.

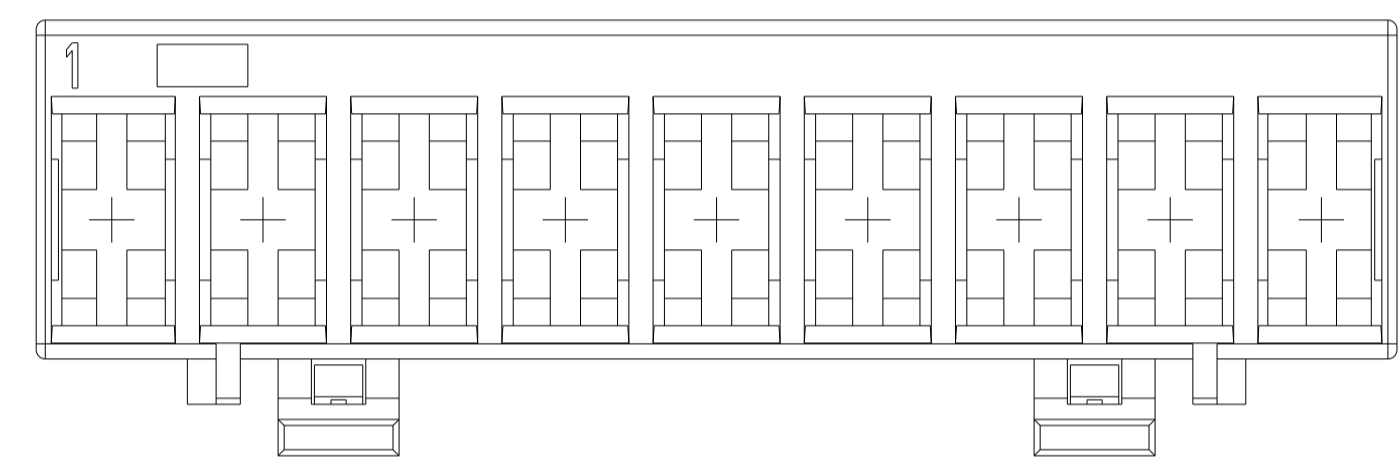
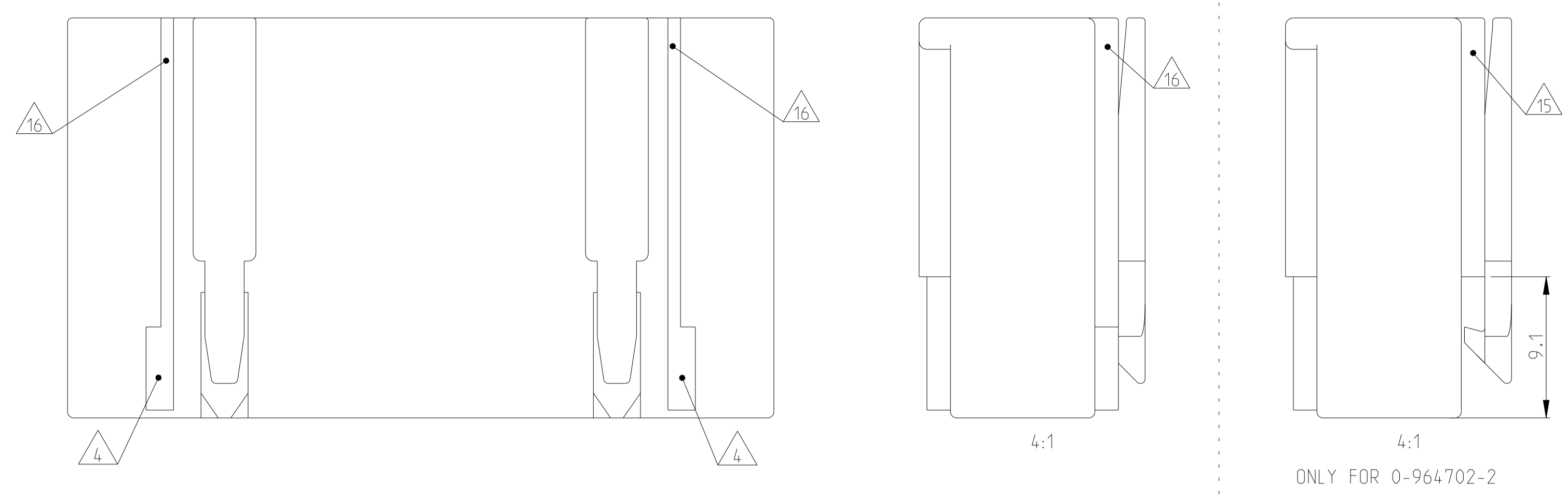
	5-1241965-5	5	05-B	25	20	NATURAL	UL94-V0 & GW EPT 750 no flame △△	E	△△
△△	1-2364737-1	11	11-B	55	50	BLUE		B	△△
	2364737-9	9	-	45	40	BLUE	UL94-V0 & GW EPT 750 no flame △△	C	△△
	2364737-5	5	-	25	20	BLUE		B	△△
	1-2364737-2	2	02-B	10	5	BLUE		B	△△
	2364737-2	2	02-A	10	5	BLUE		B	△△
	2322912-8	8	08-D	40	35	BLUE		B	△△
	2322912-6	6	06-D	30	25	BLUE		B	△△
	2322912-3	3	-	15	10	YELLOW	PA66 UL94 V0 GWT 750	B	△△
	2-2322912-2	2	02-A	10	5	NATURE		B	△△
△	1-2322912-2	2	02-G	10	5	BLUE		B	△△
	2322912-2	2	02-C	10	5	GREY		B	△△
	5-1241965-7	7	07-C	35	30	NATURAL		E	△△
	4-1241965-7	7	-	35	30	NATURAL		E	△△
△	5-1241965-5	5	05-B	25	20	NATURAL		E	△△
	5-1241965-4	4	-	20	15	NATURAL	PA66 UL94 V0 GWT 750 CT1350	E	△△
	4-1241965-4	4	-	20	15	NATURAL		E	△△
△	3-1241965-4	4	-	20	15	NATURAL		E	△△
	2-1241965-4	4	-	20	15	NATURAL		E	△△
	1-1241965-4	4	04-C	20	15	NATURAL		E	△△
	8-1241965-2	2	02-C	10	5	NATURAL		E	△△
	2-1241965-2	2	-	10	5	NATURAL		E	△△
	PART NO.	POS.	RAST 5	DIM A	DIM B	COLOUR	MATERIAL	LOCKING LATCH	MATED WITH
SPECIAL VERSION: UL94 V0 & GWT 750									

2345754-1	2	02-C	10	5	NATURAL	PA66 UL94 V0	E	△△
PART NO.	POS.	RAST 5	DIM A	DIM B	COLOUR	MATERIAL	LOCKING LATCH	MATED WITH
SPECIAL VERSION: UL94 V0								

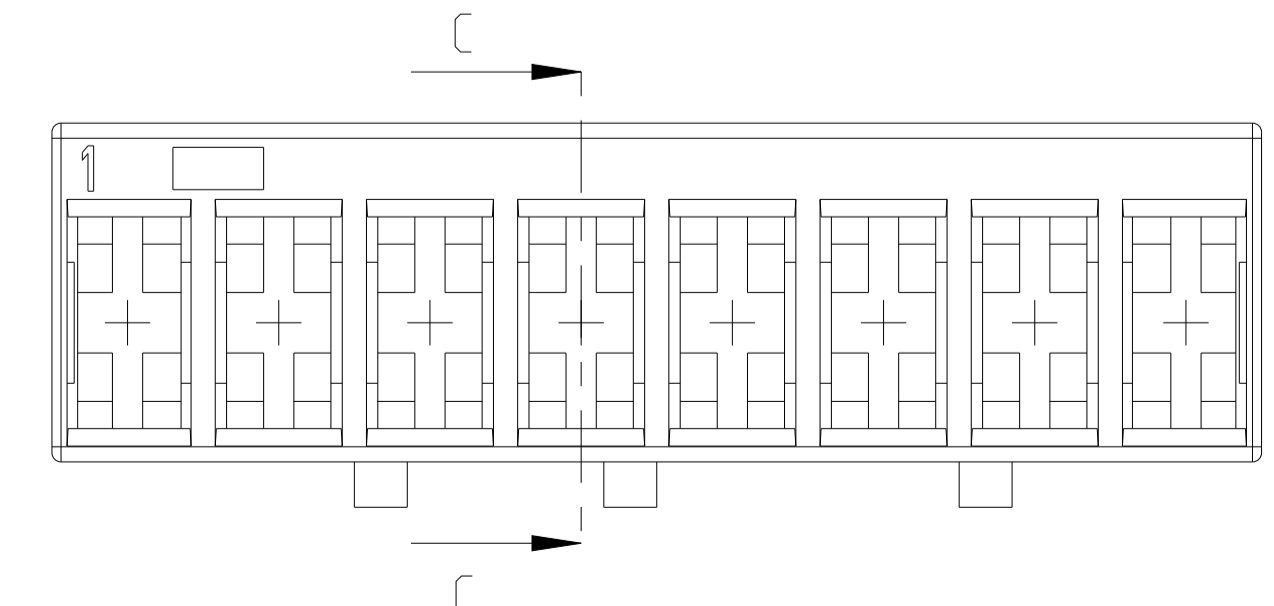
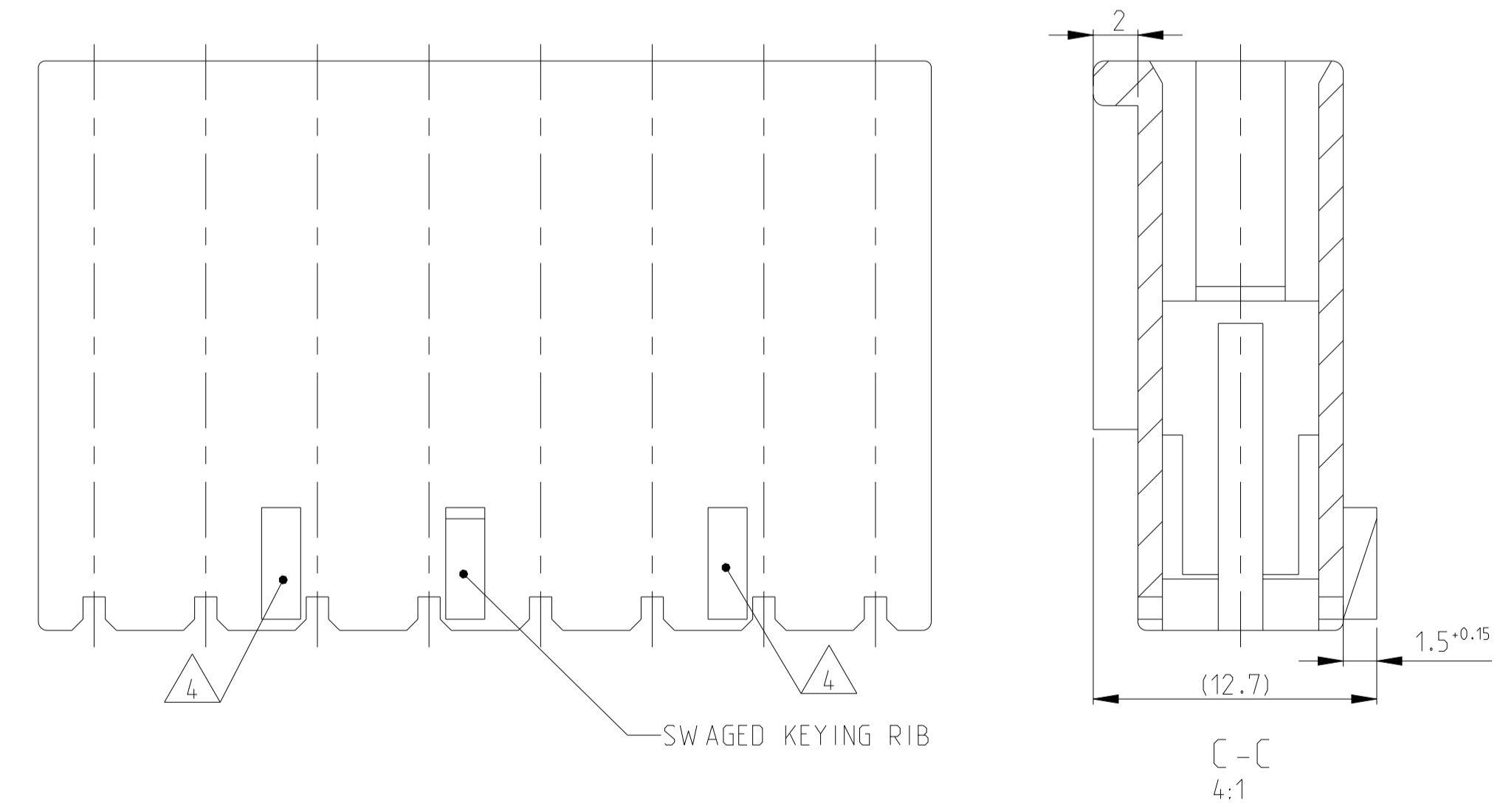
KEYING PLAN SEE SHEET 2 OF 4

THIS DRAWING IS A CONTROLLED DOCUMENT.		OWN Kishor M	18JUL2017		TE Connectivity
DIMENSIONS: mm		CHK K. Munz	07-NOV-06		NAME
TOLERANCES UNLESS OTHERWISE SPECIFIED:		APVD Th. Klenner	07-NOV-06	PRODUCT SPEC	
0 PLC ±0.1				108-18049	
1 PLC ±0.01				APPLICATION SPEC	
2 PLC ±0.001					
3 PLC ±0.0001					
4 PLC ±0.0001					
ANGLES FINISH					
MATERIAL SEE TABLES		WEIGHT		RESTRICTED TO	
		Customer Drawing		-	
		SCALE 5:1		SHEET 3 OF 4	
				REV B54	

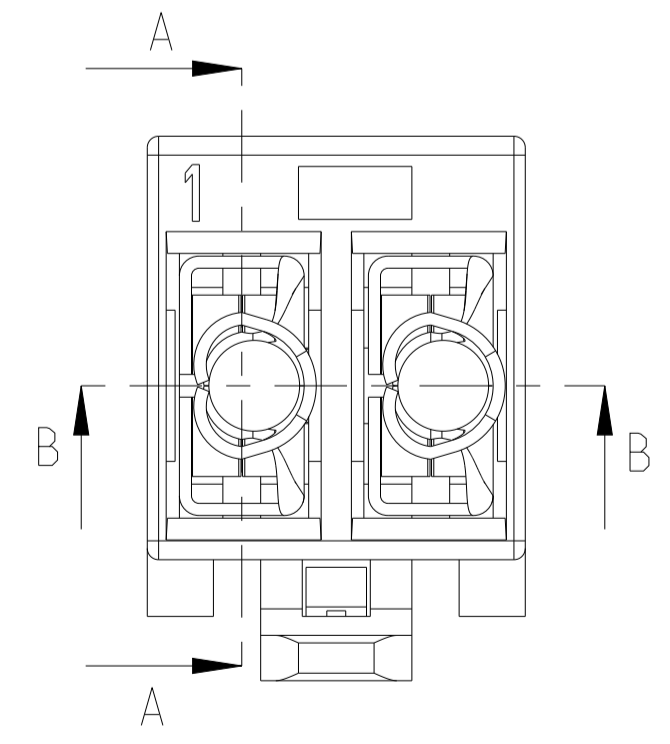
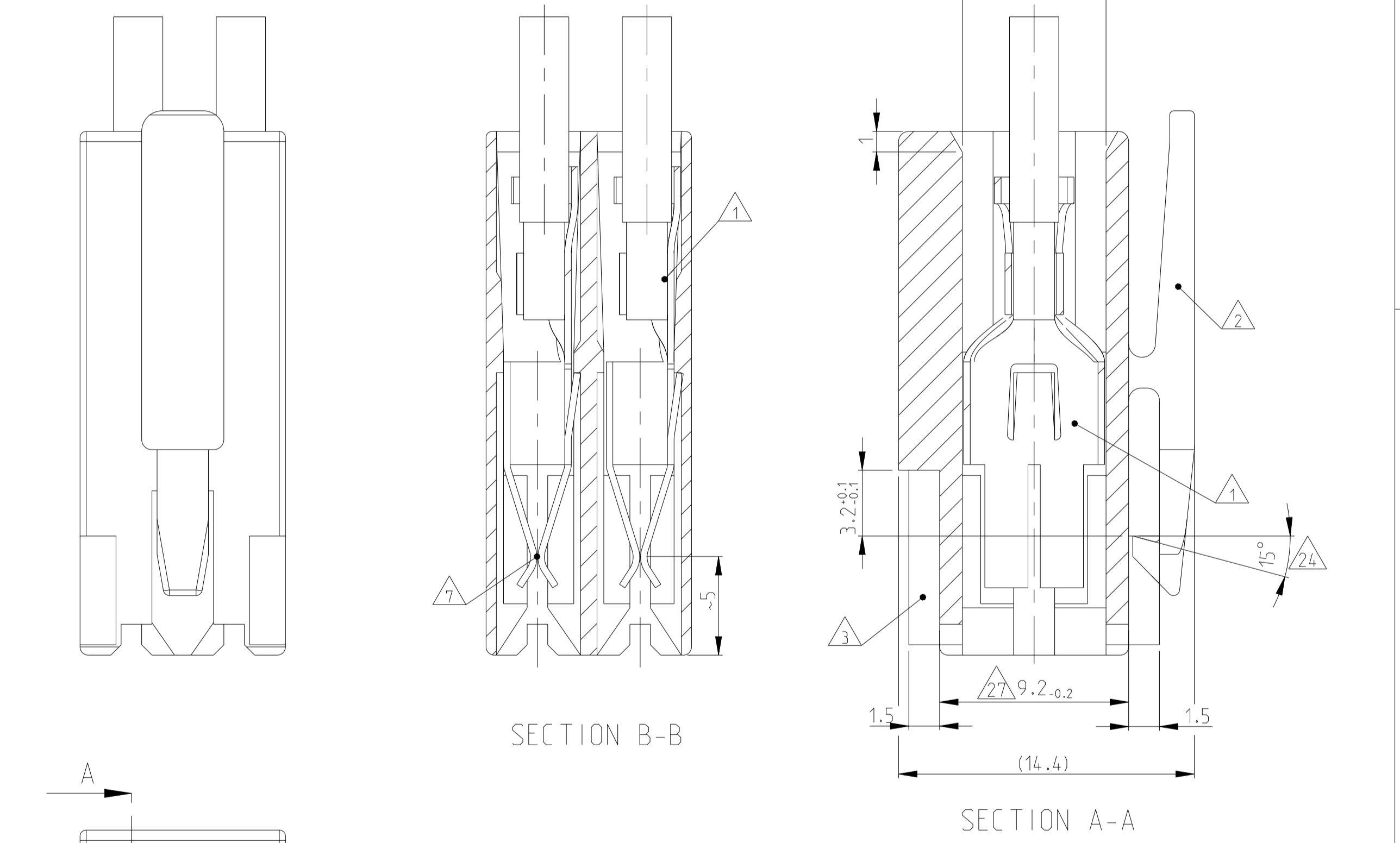
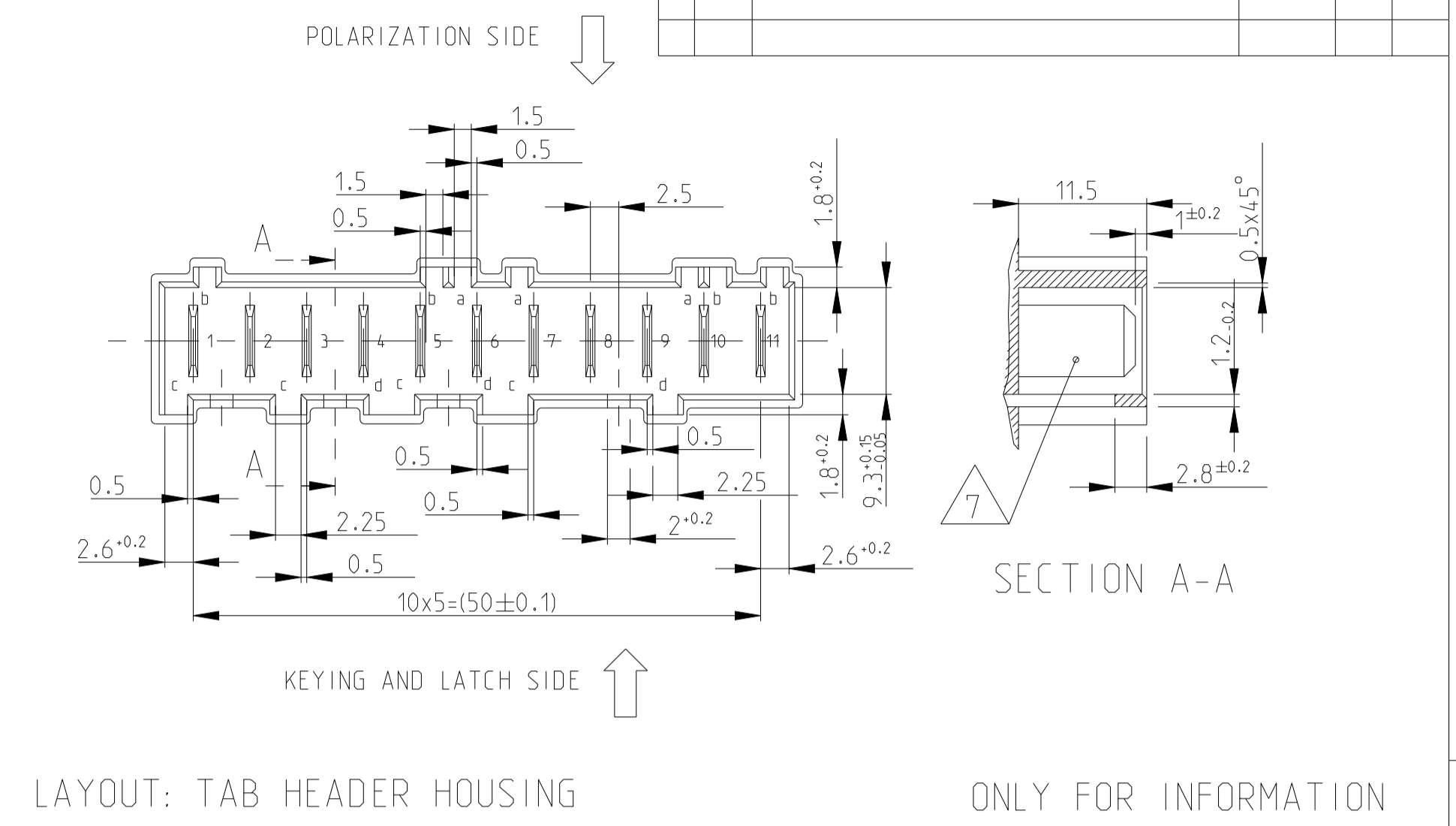
SPECIAL VERSIONS $\triangle 15$ $\triangle 16$
 9 POS STD. TIMER HSG. WITH TANGLING PROTECTION



SPECIAL VERSION $\triangle 18$
 8 POS SPECIAL STD. TIMER HSG.



LOC	DIST	REVISIONS			
P	LTN	DESCRIPTION	DATE	OWN	APVD
-	-	SEE SHEET 1	-	-	-



THIS DRAWING IS A CONTROLLED DOCUMENT.		OWN: Kishor M	18 JUL 2017	
DIMENSIONS: mm		CHK: K. Munz	07-NOV-06	
TOLERANCES UNLESS OTHERWISE SPECIFIED: ±0.2		APVD: Th. Klenner	07-NOV-06	NAME
0-PLC ±0.1 1-PLC ±0.1 2-PLC ±0.05 3-PLC ±0.001 4-PLC ±0.0001		PRODUCT SPEC		108-18049
MATERIAL: SEE TABLES		APPLICATION SPEC		RESTRICTED TO
ANGLES: FINISH: -		WEIGHT: -		SIZE: A1
Customer Drawing		DRAWING NO: 00779		SCALE: 5:1
		CAGE CODE: 1241965		SHEET: 4 OF 4
		REV: B54		

X-ON Electronics

Largest Supplier of Electrical and Electronic Components

Click to view similar products for [Automotive Connectors](#) category:

Click to view products by [TE Connectivity](#) manufacturer:

Other Similar products are found below :

[003-018-000](#) [60403001](#) [60993906-B](#) [M902-2131](#) [M902-2161](#) [72.330.1035.1](#) [73.353.4028.0](#) [F119300-B](#) [F166900](#) [F258300-B](#) [F358300-B](#)
[F407400](#) [F444110](#) [F487000](#) [F509500B-B](#) [827153-1](#) [8N1515-32-24P](#) [9-1326729-8](#) [925474-1](#) [928905-1](#) [964562-4](#) [968782-1](#) [GT17SA-8DS-](#)
[HU](#) [98891-1012](#) [98947-1016](#) [12004147](#) [12004475-L](#) [12010290](#) [12010309-B](#) [12015454](#) [12020219-B](#) [12020308](#) [12041318-B](#) [12052225-L](#)
[12052466](#) [12059125](#) [12064869](#) [12004327-B](#) [12010503-B](#) [12015308](#) [12015384](#) [12015909](#) [1-21030-1](#) [12041254](#) [12041318](#) [12047946-B](#)
[12047957](#) [12047957-L](#) [12059473](#) [12066261](#)