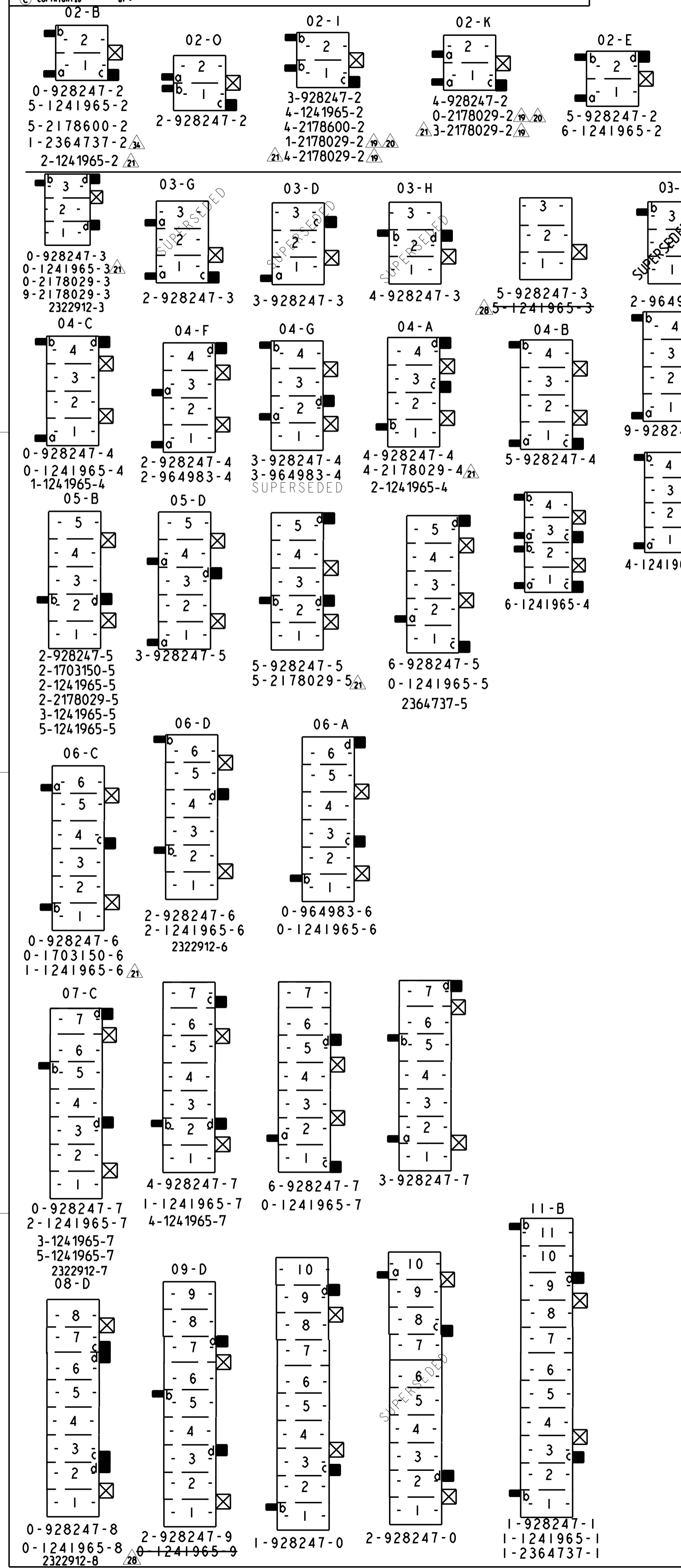


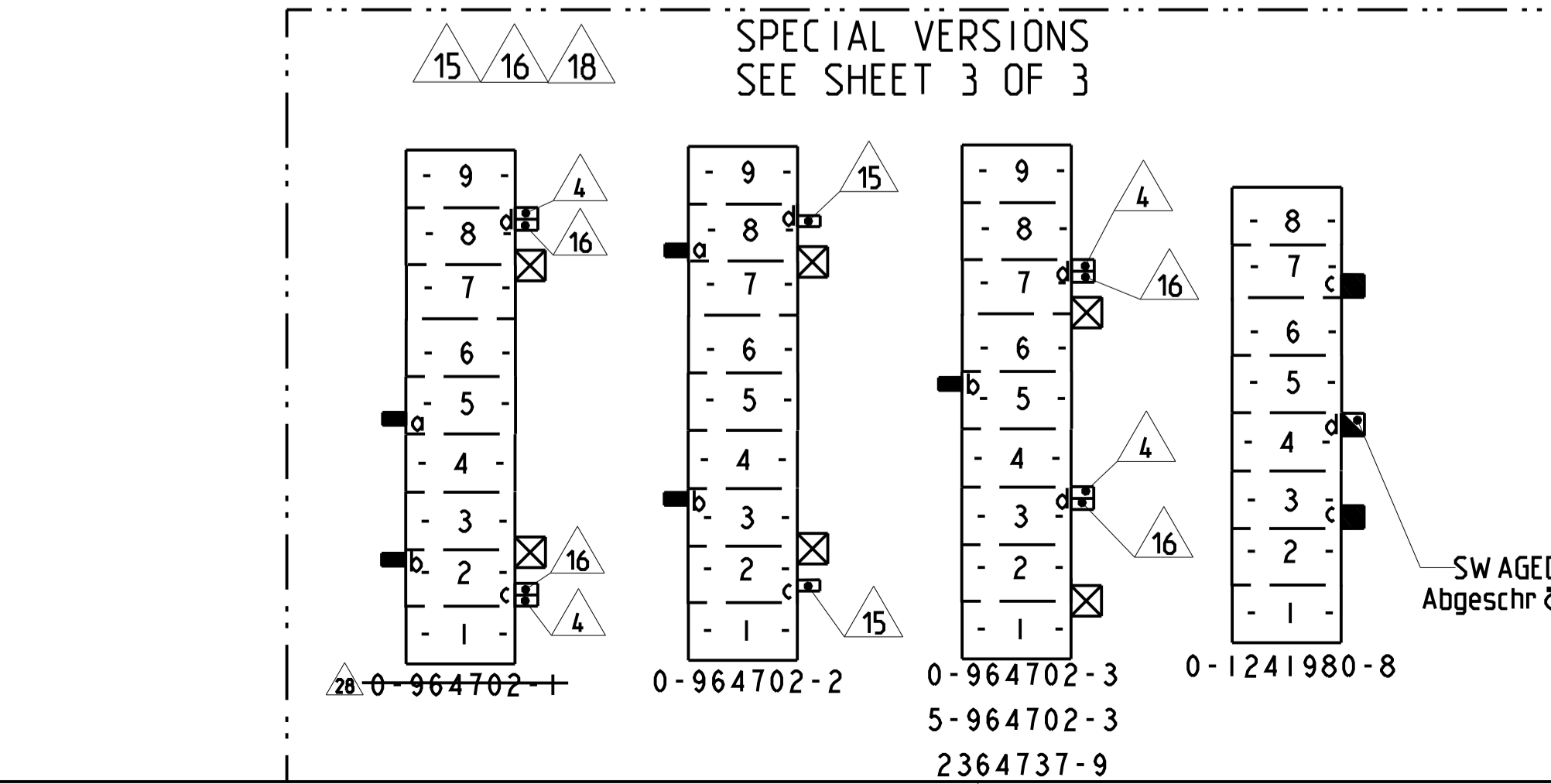
KEYING PLAN

LOC	DIST	REV	DATE	APPD
A1	-	1	07-NOV-06	
SEE SHEET 1				



PART NO.	POS.	RAST 5	DIM A	DIM B	COLOUR	MATERIAL	LOCKING LATCH	REV.	MATED WITH
Bestell-Nr.	Pol.	Rast 5	Maß A	Maß B	Farbe		Rasthaken	Rev.	Gegenstecker
3-1241965-7	7	07-C	35	30	NATURAL	PA6 GF15 UL94V-2	D	A	12/13
3-1241965-5	5	05-B	25	20	NATURAL	UL94V-2	D	A	12/13
8-2178600-2	2	02-C	10	5	NATURAL	PA6 GF15 UL94V-2	B	1	12/13
5-2178600-2	2	02-B	10	5	BLACK	UL94V-2	B	B	12/13
4-2178600-2	2	02-I	10	5	RED	UL94V-2	B	B	12/13
3-2178600-2	2	02-G	10	5	BLUE	UL94V-2	B	B	12/13
0-2178600-2	2	02-A	10	5	NATURAL	UL94V-2	B	B	12/13
2-1241965-7	7	07-C	35	30	NATURAL	PA6 UL94V-2	B	A	12/13
1-1241965-6	6	06-C	30	25	NATURAL	UL94V-2	B	1	12/13
0-1241965-6	6	06-A	30	25	NATURAL	UL94V-2	B	A	12/13
5-1241965-3	3	-	15	10	NATURAL	UL94V-2	A	1	12/13
0-1241965-3	3	-	15	10	NATURAL	UL94V-2	B	1	12/13
6-1241965-2	2	02-E	10	5	NATURAL	UL94V-2	B	A	12/13

PART NO.	POS.	RAST 5	DIM A	DIM B	COLOUR	MATERIAL	LOCKING LATCH	REV.	MATED WITH
Bestell-Nr.	Pol.	Rast 5	Maß A	Maß B	Farbe		Rasthaken	Rev.	Gegenstecker
5-2178029-5	5	-	25	20	GREEN	PA66 UL94V-0	B	1	12/13
2-2178029-5	5	-	25	20	BLACK	UL94V-0	B	A	12/13
4-2178029-4	4	-	20	15	NATURAL	UL94V-0	B	1	12/13
9-2178029-3	3	-	15	10	YELLOW	UL94V-0	B	A	12/13
1-2178029-3	3	-	15	10	NATURAL	UL94V-0	B	B	12/13
0-2178029-3	3	-	15	10	NATURAL	UL94V-0	B	A	12/13
5-2178029-2	2	02-B	10	5	NATURAL	UL94V-0	B	1	12/13
4-2178029-2	2	02-I	10	5	NATURAL	UL94V-0	B	1	12/13
3-2178029-2	2	02-K	10	5	NATURAL	UL94V-0	B	1	12/13
2-2178029-2	2	02-B	10	5	BLACK	UL94V-0	B	A	12/13
1-2178029-2	2	02-I	10	5	RED	UL94V-0	B	A	12/13
0-2178029-2	2	02-K	10	5	GREEN	UL94V-0	B	A	12/13



LOC	DIST	REV	DATE	APPD					
A1	-	1	07-NOV-06						
SEE SHEET 1									
7-1241965-2	2	02-M	10	5	NATURE	UL94 V-0	B	1	12/13
0-1241980-8	8	-	40	35	NATURE/natur	UL94V-0	-	B	12/13
5-964702-3	-	-	-	-	NATURE/natur	UL94V-2	C	E	12/13
0-964702-3	-	-	45	40	NATURE/natur	UL94V-2	C	E	12/13
0-964702-2	9	-	-	-	BLACK/schwarz	UL94V-2	C	E	12/13
280-964702-1	-	-	-	-	NATURE/natur	UL94V-2	C	E	12/13
0-964983-6	6	06-A	17	30	WHITE/weiß	UL94V-2	B	D	12/13
3-1241817-4	4	04-G	17	20	GREY/grau	UL94V-2	B	D	12/13
2-964983-4	4	04-F	17	20	ORANGE/orange	UL94V-2	B	D	12/13
2-1241817-3	3	03-K	15	10	GREEN/grün	UL94V-2	B	D	12/13
283-964983-2	2	02-M	17	10	VIOLET/violett (lila)	UL94V-2	B	D	12/13
2-964983-2	2	02-G	17	10	BLUE/blau	UL94V-2	B	D	12/13
3-969484-2	2	02-B	17	10	BLACK/schwarz	UL94V-2	B	D	12/13
1-1241965-1	11	11-B	17	55	NATURE/natur	UL94V-2	B	D	12/13
280-1241965-9	9	09-D	17	45	NATURE/natur	UL94V-2	B	D	12/13
0-1241965-8	8	08-D	17	40	NATURE/natur	UL94V-2	B	D	12/13
1-1241965-7	7	-	35	30	NATURE/natur	UL94V-2	B	D	12/13
0-1241965-7	7	-	35	30	NATURE/natur	UL94V-2	B	D	12/13
2-1241965-6	6	06-D	30	25	NATURE/natur	UL94V-2	B	D	12/13
2-1241965-5	5	05-B	25	20	NATURE/natur	UL94V-2	B	D	12/13
0-1241965-5	5	-	25	20	NATURE/natur	UL94V-2	B	D	12/13
6-1241965-4	4	-	20	15	NATURAL	UL94V-2	B	D	12/13
0-1241965-4	4	04-C	20	15	NATURE/natur	UL94V-2	B	D	12/13
9-1241965-2	2	-	10	5	NATURE/natur	UL94V-2	B	D	12/13
5-1241965-2	2	02-B	10	5	BLACK/schwarz	UL94V-2	B	D	12/13
4-1241965-2	2	02-I	17	10	RED/rot	UL94V-2	B	D	12/13
3-1241965-2	2	02-G	17	10	BLUE/blau	UL94V-2	B	D	12/13
0-1241965-2	2	02-A	10	5	NATURE/natur	UL94V-2	B	D	12/13
1-928247-1	11	11-B	17	55	YELLOW/gelb	UL94V-2	B	D	12/13
282-928247-0	10	-	50	45	GREY/grau	UL94V-2	B	D	12/13
1-928247-0	10	-	50	45	BROWN/braun	UL94V-2	B	D	12/13
2-928247-9	9	09-D	45	40	BLUE/blau	UL94V-2	B	D	12/13
0-928247-8	8	08-D	40	35	BLUE/blau	UL94V-2	B	D	12/13
6-928247-7	7	-	35	30	GREEN/grün	UL94V-2	A	D	12/13
4-928247-7	7	-	35	30	NATURE/natur	UL94V-2	A	D	12/13
3-928247-7	7	-	35	30	NATURE/natur	UL94V-0	A	D	12/13
0-928247-7	7	07-C	35	30	GREY/grau	UL94V-2	B	D	12/13
2-928247-6	6	06-D	30	25	BLUE/blau	UL94V-2	B	D	12/13
0-1703150-6	6	06-C	30	25	GREY/grau	UL94V-2	A	D	12/13
0-928247-6	6	06-C	30	25	GREY/grau	UL94V-2	B	D	12/13
6-928247-5	5	-	25	20	NATURE/natur	UL94V-2	B	D	12/13
5-928247-5	5	-	25	20	GREEN/grün	UL94V-2	B	D	12/13
3-928247-5	5	05-D	25	20	BLUE/blau	UL94V-2	A	D	12/13
2-1703150-5	5	05-B	25	20	BLACK/schwarz	UL94V-2	A	D	12/13
2-928247-5	5	05-B	25	20	BLACK/schwarz	UL94V-2	B	D	12/13
9-928247-4	4	-	20	15	NATURE/natur	UL94V-0	A	D	12/13
5-928247-4	4	04-B	20	15	BLACK/schwarz	UL94V-0	A	D	12/13
4-928247-4	4	04-A	20	15	NATURE/natur	UL94V-0	B	D	12/13
283-928247-4	4	04-G	20	15	VIOLET/violett (lila)	UL94V-0	B	D	12/13
2-928247-4	4	04-F	20	15	WHITE/weiß	UL94V-0	B	D	12/13
0-928247-4	4	04-C	20	15	GREY/grau	UL94V-0	B	D	12/13
5-928247-3	3	-	15	10	NATURE/natur	UL94V-2	A	D	12/13
4-928247-3	3	03-H	15	10	BROWN/braun	UL94V-2	A	D	12/13
3-928247-3	3	03-D	15	10	BLUE/blau	UL94V-2	A	D	12/13
2-928247-3	3	03-G	15	10	VIOLET/violett (lila)	UL94V-2	A	D	12/13
0-928247-3	3	-	15	10	YELLOW/gelb	UL94V-2	B	D	12/13
9-928247-2	2	-	10	5	NATURE/natur	UL94V-2	B	D	12/13
8-928247-2	2	02-C	10	5	GREY/grau	UL94V-2	B	D	12/13
7-928247-2	2	02-P	10	5	PURPLED/purpurnot	UL94V-2	A	D	12/13
6-928247-2	2	02-A	10	5	NATURE/natur	UL94V-2	B	D	12/13
5-928247-2	2	02-E	10	5	GREEN/grün	UL94V-2	B	D	12/13
4-928247-2	2	02-K	10	5	YELLOW GREEN/gelbgrün	UL94V-2	B	D	12/13
3-928247-2	2	02-I	10	5	ORANGE/orange	UL94V-2	A	D	12/13
282-928247-2	2	02-O	10	5	PINK/rosa	UL94V-2	A	D	12/13
0-928247-2	2	02-B	10	5	BLACK/schwarz	UL94V-2	B	D	12/13

THIS DRAWING IS A CONTROLLED DOCUMENT. DIMENSIONS: mm. TOLERANCES UNLESS OTHERWISE SPECIFIED: ±0.2. MATERIAL: SEE TABLES. FINISH: -.

DATE: 18 JUL 2017. CHK: K. Munitz. APPD: T. Klenner. PRODUCT SPEC: 108-18049. APPLICATION SPEC: -.

Customer Drawing. SCALE: 5:1. SHEET: 2 OF 4. REV: B51.

LOC	DIST	REV	DATE	BY	APPROV
A1	-				

- 32 ONLY FOR 2322912-3. TOLERANCE IS +0.1/-0.15
- 33 ONLY FOR 2322912-6. 1-2364737-1. TOLERANCE IS -0.30
- 34 CANDIDATE PRELIMINARY P/N. NOT YET OFFICIAL. ONLY FOR DISCUSSION. NOT YET RELEASED FOR PRODUCTION.
- 35 DOUBLE SOURCE RESIN: ALTERNATIVE RESIN UNDER APPROVAL.


PART NO.	POS.	RAST 5	DIM A	DIM B	COLOUR	MATERIAL	LOCKING LATCH	REV.	MATED WITH
5-1241965-5	5	05-B	25	20	NATURAL	UL94-V0 & GW EPT 750 no flame	E	B	12, 13
1-2364737-2	2	02-B	10	5	BLUE		B	2	12, 13
2364737-9	9	-	45	40	BLUE		C	B	12, 13
1-2364737-1	11	11-B	55	50	BLUE		B	B	12, 13
2364737-5	5	-	25	20	BLUE		B	B	12, 13
2364737-2	2	02-A	10	5	BLUE	B	B	12, 13	
2322912-8	8	08-D	40	35	BLUE	PA66 UL94 V0 GW T 750	B	B	12, 13
2322912-7	7	07-C	35	30	GREY		B	B	12, 13
2322912-6	6	06-D	30	25	BLUE		B	B	12, 13
2322912-3	3	-	15	10	YELLOW		B	B	12, 13
2-2322912-2	2	02-A	10	5	NATURE		B	B	12, 13
1-2322912-2	2	02-G	10	5	BLUE	B	1	12, 13	
2322912-2	2	02-C	10	5	GREY	B	B	12, 13	
2-1241965-2	2	-	10	5	NATURAL	PA66 UL94 V0 GW T 750 CTI350	E	1	12, 13
5-1241965-4	4	-	20	15	NATURAL		E	B	12, 13
4-1241965-4	4	-	20	15	NATURAL		E	B	12, 13
3-1241965-4	4	-	20	15	NATURAL		E	1	12, 13
2-1241965-4	4	-	20	15	NATURAL		E	A	12, 13
1-1241965-4	4	04-C	20	15	NATURAL		E	A	12, 13
8-1241965-2	2	02-C	10	5	NATURAL		E	A	12, 13
4-1241965-7	7	-	35	30	NATURAL		E	A	12, 13
5-1241965-7	7	07-C	35	30	NATURAL		E	B	12, 13
5-1241965-5	5	05-B	25	20	NATURAL		E	1	12, 13

SPECIAL VERSION: UL94 V0 & GW T 750

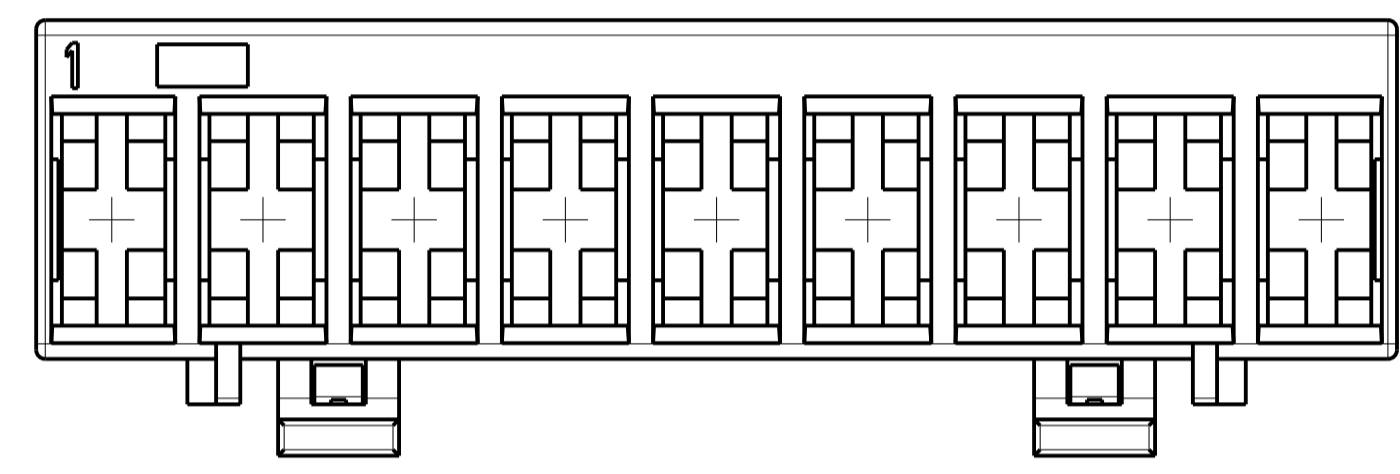
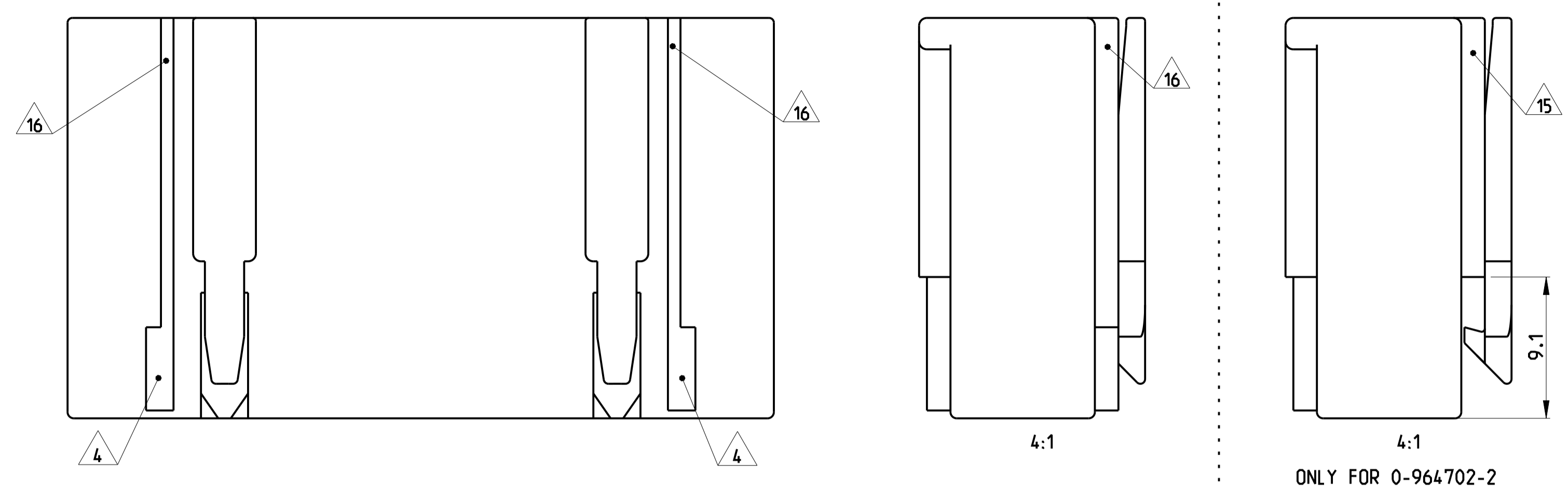
KEYING PLAN SEE SHEET 2 OF 4

PART NO.	POS.	RAST 5	DIM A	DIM B	COLOUR	MATERIAL	LOCKING LATCH	REV.	MATED WITH
2345754-1	2	02-C	10	5	NATURAL	PA66 UL94 V0	E	B	12, 13

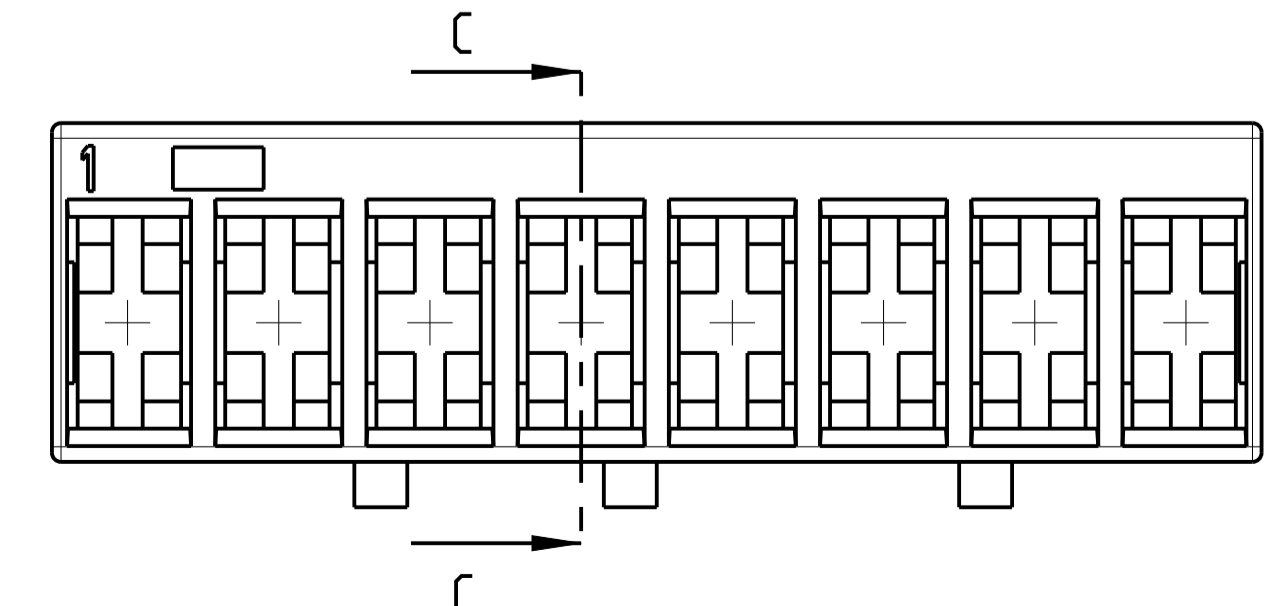
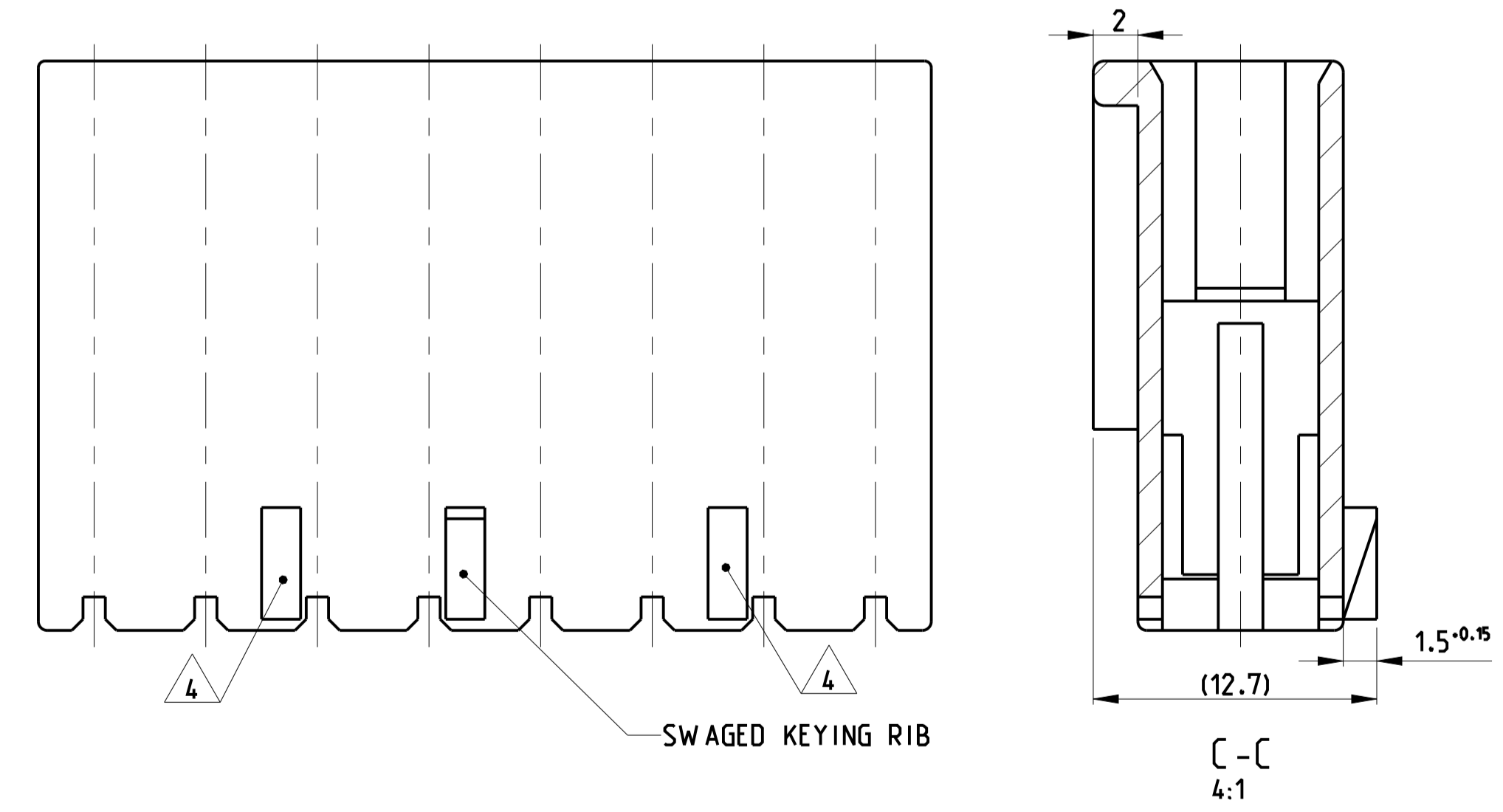
SPECIAL VERSION: UL94 V0

THIS DRAWING IS A CONTROLLED DOCUMENT.		DATE: 18 JUL 2017	 TE Connectivity
DIMENSIONS: mm		DESIGNED BY: K. Munz 07-NOV-06	
TOLERANCES UNLESS OTHERWISE SPECIFIED:		APPROVED BY: T. Klanner 07-NOV-06	NAME: 2-12 POS. STANDARD TIMER HSG WITH EXTERIOR LOCKING
0 PLC ±0.1 1 PLC ±0.01 2 PLC ±0.001 3 PLC ±0.001 4 PLC ±0.001 ANGLES ±0.001 FINISH -		PRODUCT SPEC: 108-18049	SIZE: A1
MATERIAL SEE TABLES		WEIGHT: -	CAGE CODE: C=1241965
		Customer Drawing	RESTRICTED TO: -
		SCALE: 5:1	SHEET: 3 OF 4

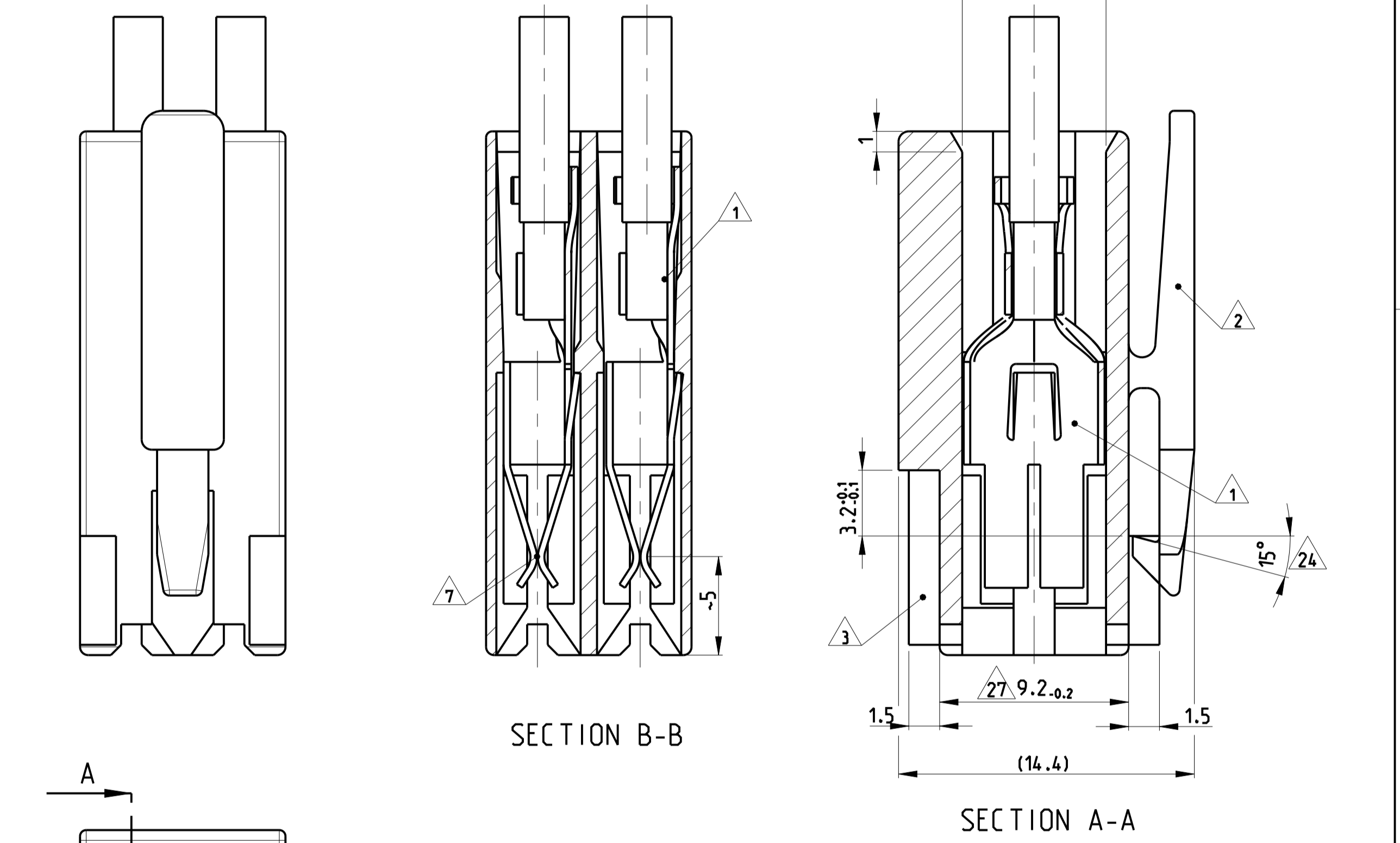
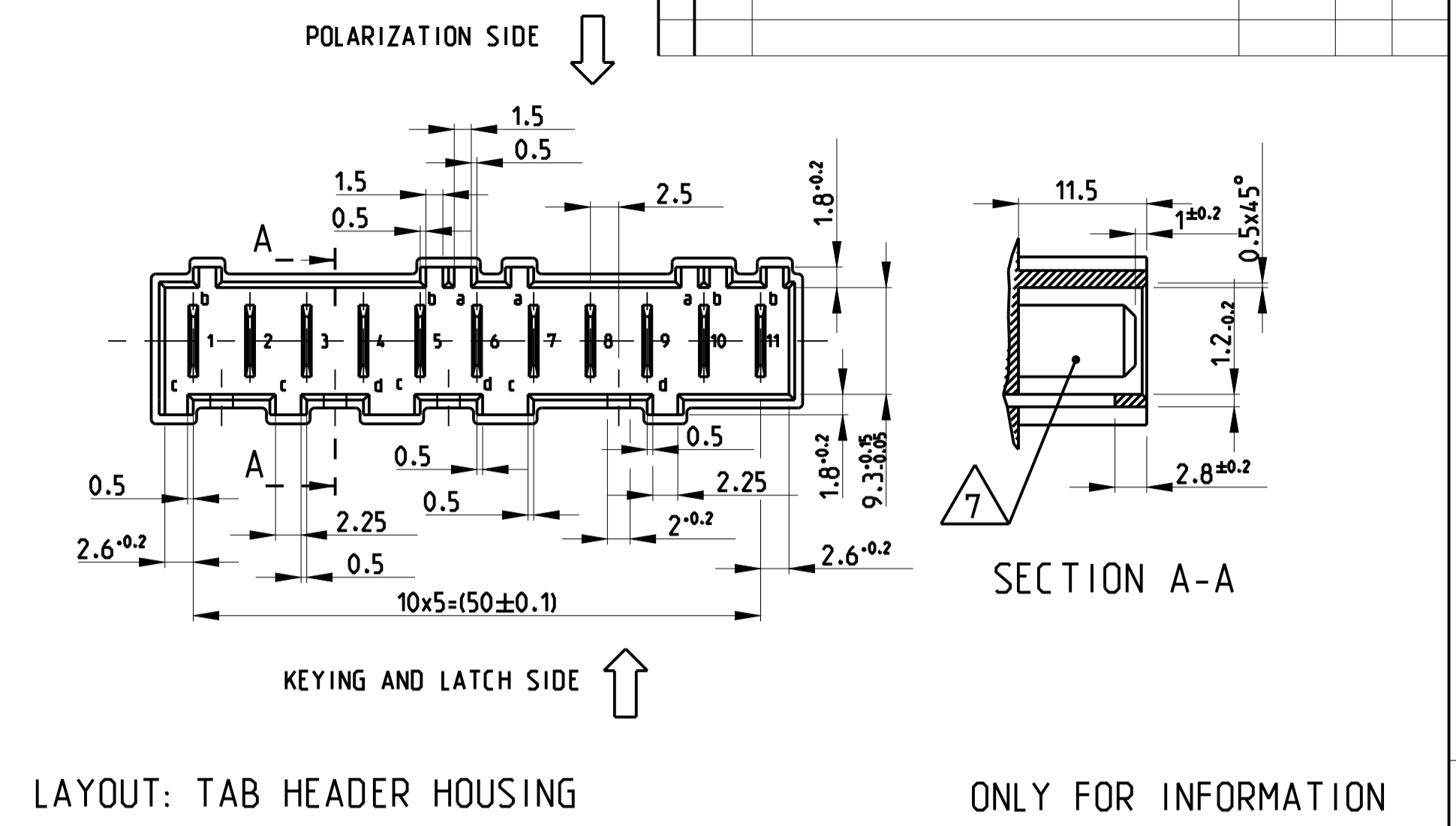
SPECIAL VERSIONS 15 16
9 POS STD. TIMER HSG. WITH TANGLING PROTECTION



SPECIAL VERSION 18
8 POS SPECIAL STD. TIMER HSG.



LOC	DIST	REV	DESCRIPTION	DATE	DRW	APPD
A1	-	-	SEE SHEET 1	-	-	-



THIS DRAWING IS A CONTROLLED DOCUMENT.		DRW: Kishor M 18 JUL 2017	TE Connectivity
DIMENSIONS: mm		CHK: K. Muntz 07-NOV-06	
TOLERANCES UNLESS OTHERWISE SPECIFIED: ±0.2		APPD: Th. Klenner 07-NOV-06	NAME
0-PLC ±0.1 1-PLC ±0.1 2-PLC ±0.05 3-PLC ±0.001 4-PLC ±0.0001		PRODUCT SPEC	2-12 POS. STANDARD TIMER HSG WITH EXTERIOR LOCKING
MATERIAL SEE TABLES		FINISH	SIZE: CAGE CODE DRAWING NO. RESTRICTED TO
		WEIGHT	A1 00779 C=1241965
		Customer Drawing	SCALE: 5:1 SHEET 4 OF 4 REV B51

X-ON Electronics

Largest Supplier of Electrical and Electronic Components

Click to view similar products for [Automotive Connectors](#) category:

Click to view products by [TE Connectivity](#) manufacturer:

Other Similar products are found below :

[003-018-000](#) [600858](#) [60403001](#) [60993906-B](#) [60993913-B](#) [629515004020001](#) [M83723/71R1808N L/C](#) [M902-2131](#) [M902-2161](#) [M902-2344](#)
[72.330.1035.1](#) [73.353.4028.0](#) [F118010](#) [F119300-B](#) [F132210](#) [F166900](#) [F180100](#) [F258300](#) [F258300-B](#) [F294300-B](#) [F339100](#) [F339700](#)
[F358300-B](#) [F374110](#) [F407400](#) [F412210](#) [F444110](#) [F487000](#) [F495100](#) [F500900-B](#) [F509500B-B](#) [770444-1](#) [827153-1](#) [881735-1](#)
[8N1515-32-24P](#) [9-1326729-8](#) [925467-1](#) [925474-1](#) [928905-1](#) [936398-2](#) [964562-4](#) [964731-2](#) [968782-1](#) [GT17SA-8DS-HU](#) [GT17VS-10DP-](#)
[5.2CF](#) [98315-0001](#) [98315-0010](#) [98891-1012](#) [98895-2014](#) [98936-1039](#)