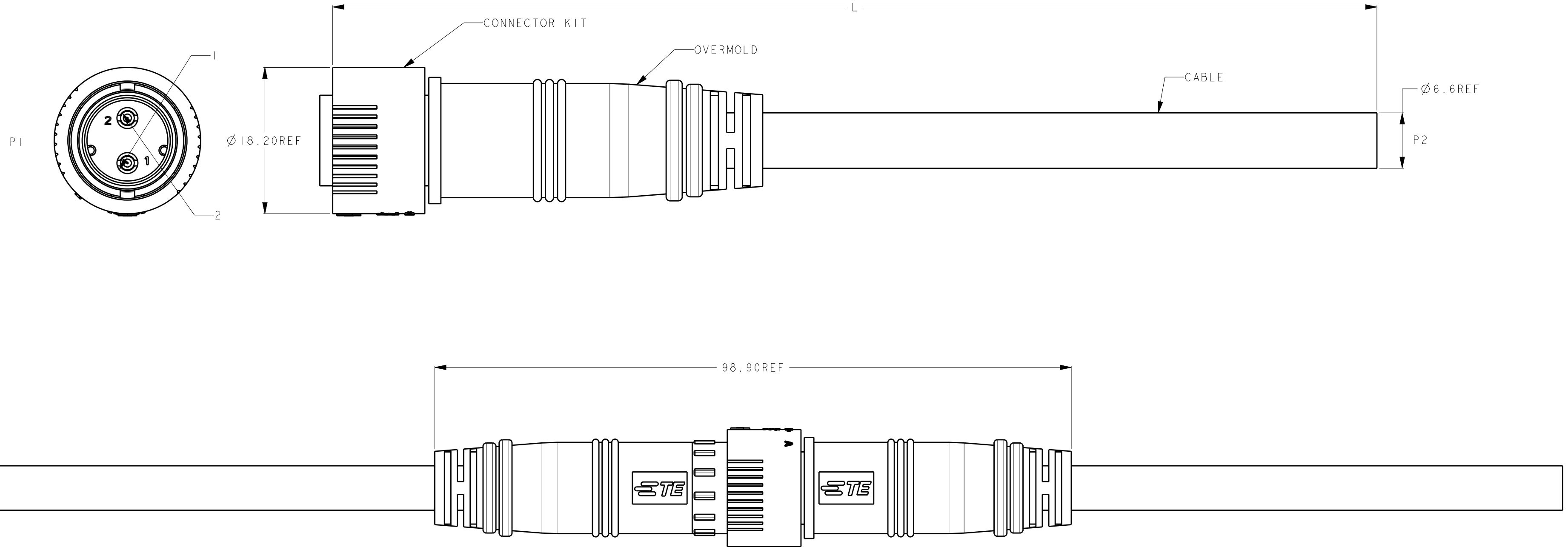


THIS DRAWING IS UNPUBLISHED. RELEASED FOR PUBLICATION 20  
 © COPYRIGHT 20 BY - ALL RIGHTS RESERVED.

LOC	DIST	REVISIONS			
P	LTR	DESCRIPTION	DATE	DWN	APVD
-	-	A1	UPDATE TABLE	16APR2015	M.S X.X
		B	ECR-16-015004	25OCT2016	M.S X.X
		BI	ECR-17-000249	05JAN2017	M.S X.X
		C	ECR-19-006815	17MAY2019	F.F M.S



MATES WITH 2834001 SERIES.

**OBSOLETE**

NOTES:  
 1. MATE WITH 2834001 SERIES.  
 2. RATINGS:  
 VOLTAGE: 300V AC/DC  
 CURRENT: 7A MAX.  
 TEMPERATURE: 80°C

WIRING DIAGRAM		
P1	WIRE COLOR	P2
P1-1	WHITE	-
P1-2	BLACK	-

P/N	CABLE	DIM A	L (mm)
9-2834000-1	RUBBER (THERMOPLASTIC ELASTOMER TYPE)	Ø 7.6	150±5
9-2834000-2			250±10
9-2834000-3			500±15
9-2834000-4			1000±15

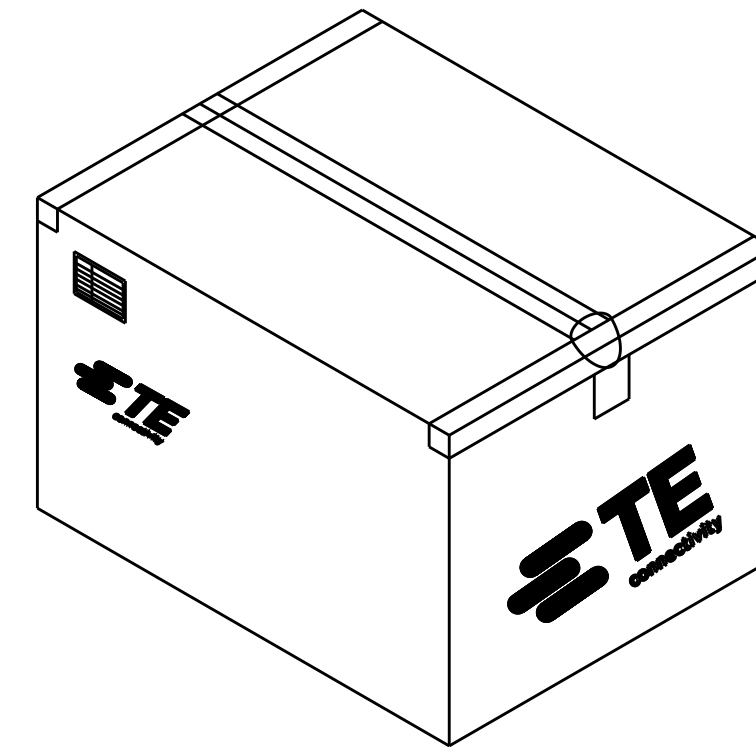
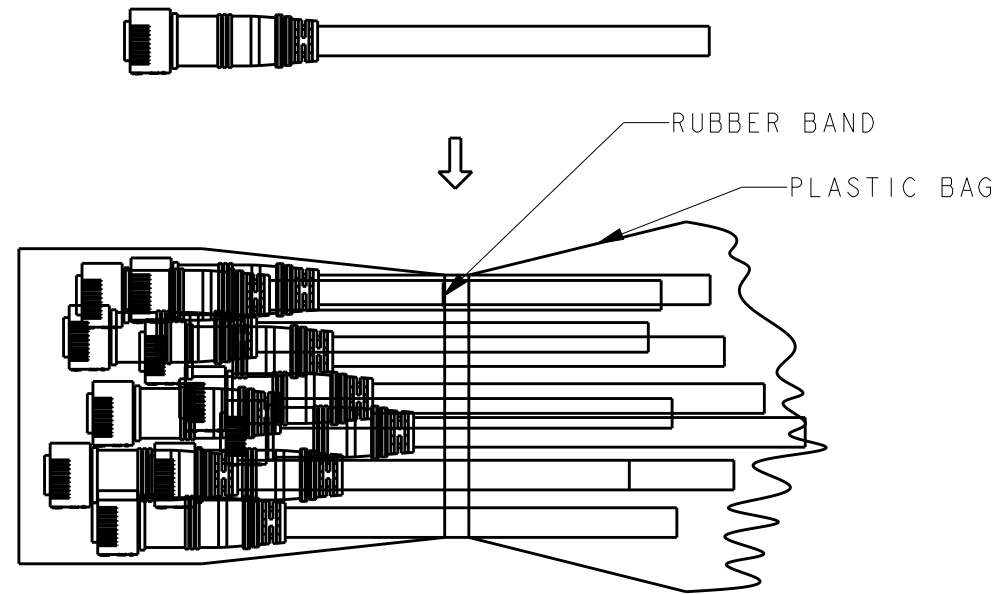
THIS DRAWING IS A CONTROLLED DOCUMENT.		DWN FRANK FAN 17MAY2019	TE Connectivity	
DIMENSIONS: mm		CHK GEORGE FU 17MAY2019		
TOLERANCES UNLESS OTHERWISE SPECIFIED:		APVD MING SHI 17MAY2019	NAME 2P MALE CABLE ASSEMBLY CIRCULAR LIGHTING SEALED CONN.	
0 PLC ±-		PRODUCT SPEC 108-137041	SIZE A2	
1 PLC ±1.0		APPLICATION SPEC 114-137041	CAGE CODE -	
2 PLC ±0.5		WEIGHT -	DRAWING NO C-2834000	
3 PLC ±-		MATERIAL -	RESTRICTED TO -	
4 PLC ±-		Customer Drawing	SCALE 1:2 SHEET 1 OF 2 REV C	
ANGLES ±-				
FINISH				

THIS DRAWING IS UNPUBLISHED. RELEASED FOR PUBLICATION 20  
 © COPYRIGHT 20 BY - ALL RIGHTS RESERVED.

LOC		DIST		REVISIONS			
P	LTR	DESCRIPTION	DATE	DWN	APVD		
-	-	SEE SHEET 1	-	-	-		

1. PUT PIECES OF PARTS INTO THE PLASTIC BAG, AND SEALED WITH RUBBER BAND AS 1 BUNCH.

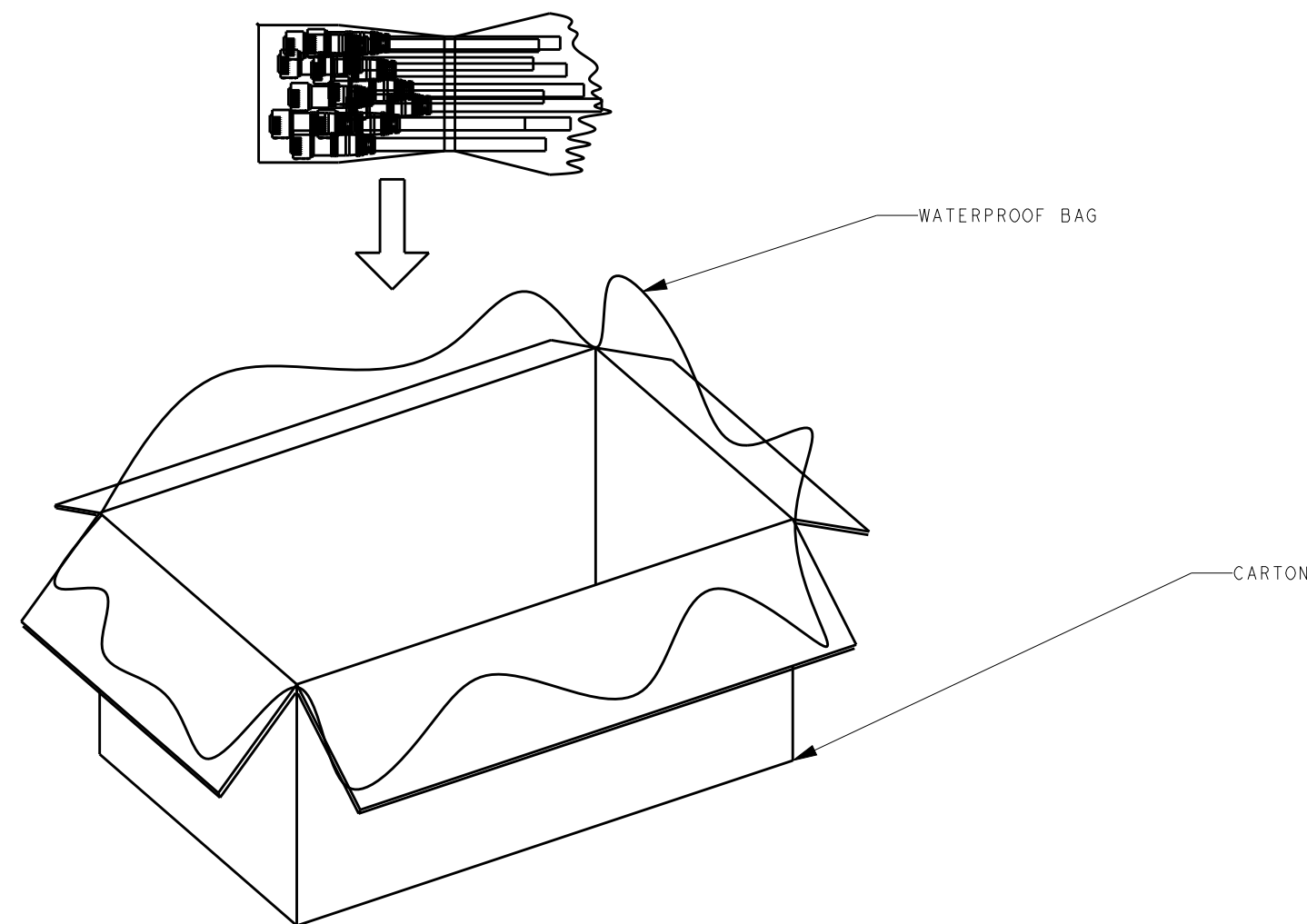
3. SEAL THE CARTON.



2. PUT BUNCHES OF PARTS INTO CARTON.

4. PACKAGING QUANTITIES(REFER SHEET 1 FOR PN DEFINITION):

P/N	PARTS PER CARTON (PCS)
9-2834000-1	500
9-2834000-2	260
9-2834000-3	90
9-2834000-4	60



**OBSOLETE**

THIS DRAWING IS A CONTROLLED DOCUMENT.		DWN FRANK FAN 17MAY2019	<b>STE</b> TE Connectivity	
DIMENSIONS: mm		CHK GEORGE FU 17MAY2019		
TOLERANCES UNLESS OTHERWISE SPECIFIED:		APVD MING SHI 17MAY2019	NAME 2P MALE CABLE ASSEMBLY CIRCULAR LIGHTING SEALED CONN.	
0 PLC ±-		PRODUCT SPEC 108-137041	RESTRICTED TO -	
1 PLC ±1.0		APPLICATION SPEC 114-137041	SIZE A2	CAGE CODE -
2 PLC ±0.5		WEIGHT -	DRAWING NO C-2834000	
3 PLC ±-		Customer Drawing		
4 PLC ±-		SCALE NTS SHEET 2 OF 2 REV C		
ANGLES ±-				
FINISH ±-				

## X-ON Electronics

Largest Supplier of Electrical and Electronic Components

*Click to view similar products for [Lighting Cables](#) category:*

*Click to view products by [TE Connectivity](#) manufacturer:*

Other Similar products are found below :

[CL2-EXTEND](#) [96CB-E0605HAA1](#) [ZWF-915-J](#) [68801-4899](#) [68801-2112](#) [68801-2123](#) [68801-4124](#) [68801-4752](#) [68801-4850](#) [ZFS-CH144-12I](#) [96CB-E0405PCA3](#) [96CB-E0405PIC3](#) [96CB-E0605HAB1](#) [SSL11-J2LJ0-022A04](#) [CNXBE4218](#) [1-2058943-7](#) [1-2058943-8](#) [1-2083075-2](#) [1-2083080-1](#) [CNX310-120-X4124](#) [CNX\\_C\\_E\\_4\\_2\\_08](#) [CNXBE4118](#) [CNX\\_310\\_012\\_E\\_4\\_1\\_12](#) [2702306](#) [2702307](#) [SSL12-J4FJ0-000001](#) [180888-0405](#) [SSL12-J2LJ0-020F01](#) [180887-0430](#) [1705131](#) [180887-0410](#) [180778-0405](#) [1-2083029-8](#) [SSL12-J4LJ0-020H01](#) [180778-0430](#) [SSL12-P4LP0-M20H01](#) [SSL12-P4LP0-M20F01](#) [SSL12-P2LP0-M20F01](#) [SSL12-J4LJ0-020F01](#) [SSL11-J2LJ0-B22A04](#) [68801-4037](#) [68801-4039](#) [68801-4053](#) [68801-4055](#) [68801-4057](#) [68801-4059](#) [68801-4061](#) [960026](#) [2-2083030-2](#) [SSL12-J2LJ0-020A04](#)