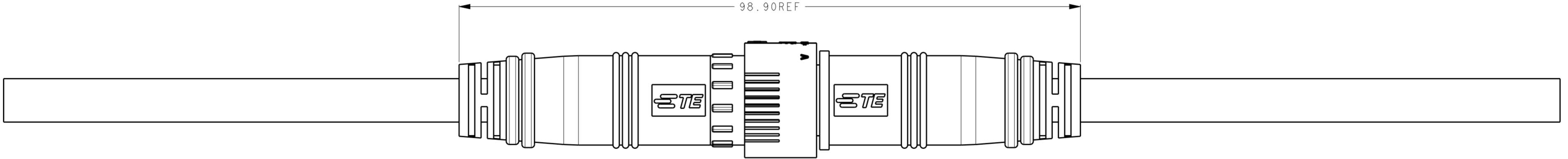
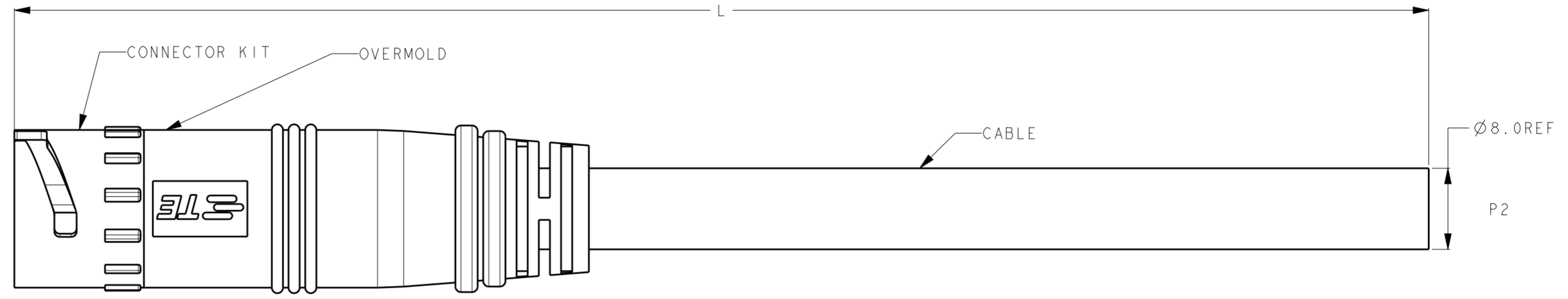
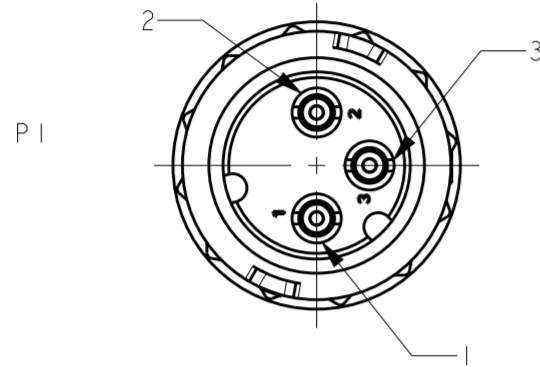


THIS DRAWING IS UNPUBLISHED. RELEASED FOR PUBLICATION 20
 © COPYRIGHT 20 BY - ALL RIGHTS RESERVED.

LOC	DIST	REVISIONS			
P	LTR	DESCRIPTION	DATE	DWN	APVD
-	-	A	RELEASE	02APR2015	M.S X.X
		AI	UPDATE TABLE	16APR2015	M.S X.X
		B	ECR-16-015004	25OCT2016	M.S X.X
		C	ECR-19-006815	17MAY2019	F.F M.S



MATE WITH 2834002 SERIES

WIRING DIAGRAM		
P1	WIRE COLOR	P2
PI-1	RED	-
PI-2	BLACK	-
PI-3	BROWN	-

NOTES:
 1. MATE WITH 2834002 SERIES.
 2. RATINGS:
 VOLTAGE: 300V AC/DC
 CURRENT: 6A MAX.
 TEMPERATURE: 80°C

P/N	CABLE	DIM A	L (mm)
9-2834003-1	RUBBER (THERMOPLASTIC ELASTOMER TYPE)	Ø8.0	150±5
9-2834003-2			250±10
9-2834003-3			500±15
9-2834003-4			1000±15

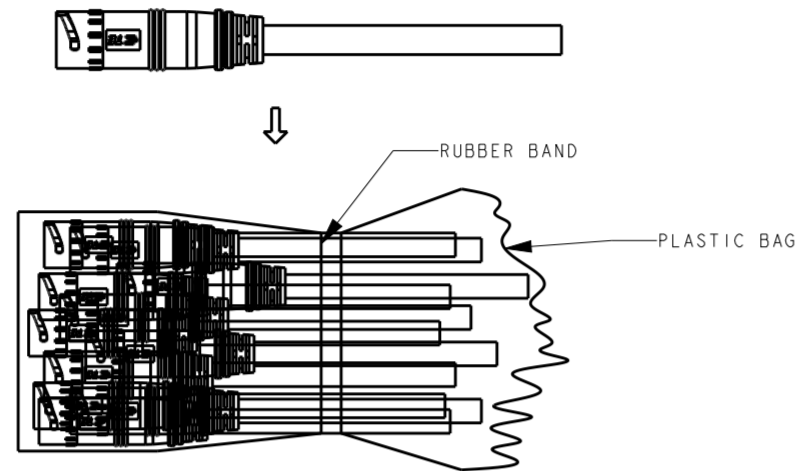
OBSOLETE

THIS DRAWING IS A CONTROLLED DOCUMENT.		DWN: FRANK FAN 17MAY2019	STE TE Connectivity	
		CHK: GEORGE FU 17MAY2019		
DIMENSIONS: mm		APVD: MING SHI 17MAY2019	NAME: 3P FEMALE CABLE ASSEMBLY CIRCULAR LIGHTING SEALED CONN.	
TOLERANCES UNLESS OTHERWISE SPECIFIED: 0 PLC ±- 1 PLC ±0.5 2 PLC ±0.5 3 PLC ±- 4 PLC ±- ANGLES ±- FINISH ±-		PRODUCT SPEC: 108-173041	RESTRICTED TO: -	
MATERIAL: -		APPLICATION SPEC: 114-173041	SIZE: A2	CAGE CODE: -
		WEIGHT: -	DRAWING NO: C-2834003	
		Customer Drawing		SCALE: 1:2 SHEET 1 OF 2 REV C

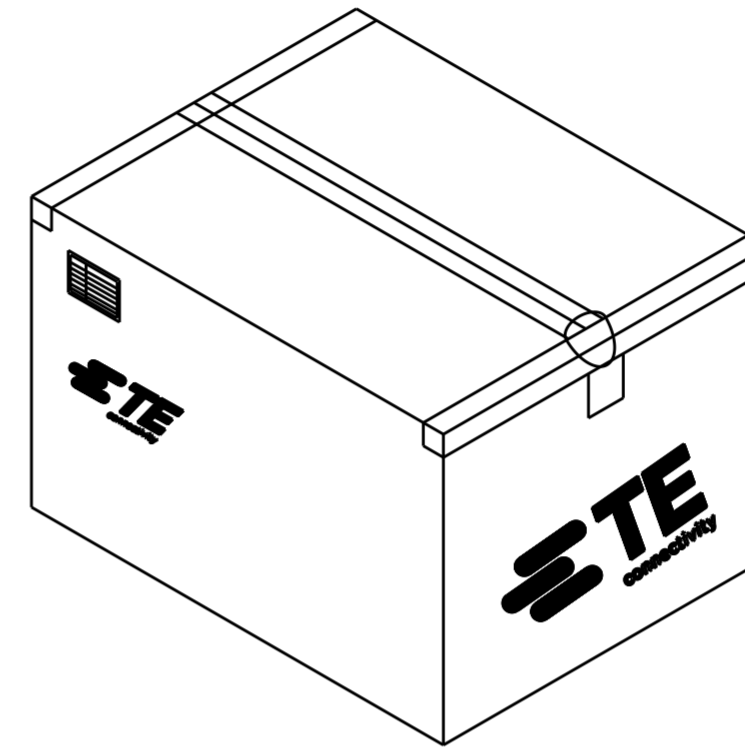
THIS DRAWING IS UNPUBLISHED. RELEASED FOR PUBLICATION 20
 © COPYRIGHT 20 BY - ALL RIGHTS RESERVED.

LOC	DIST	REVISIONS			
P	LTR	DESCRIPTION	DATE	DWN	APVD
-	-	SEE SHEET 1	-	-	-

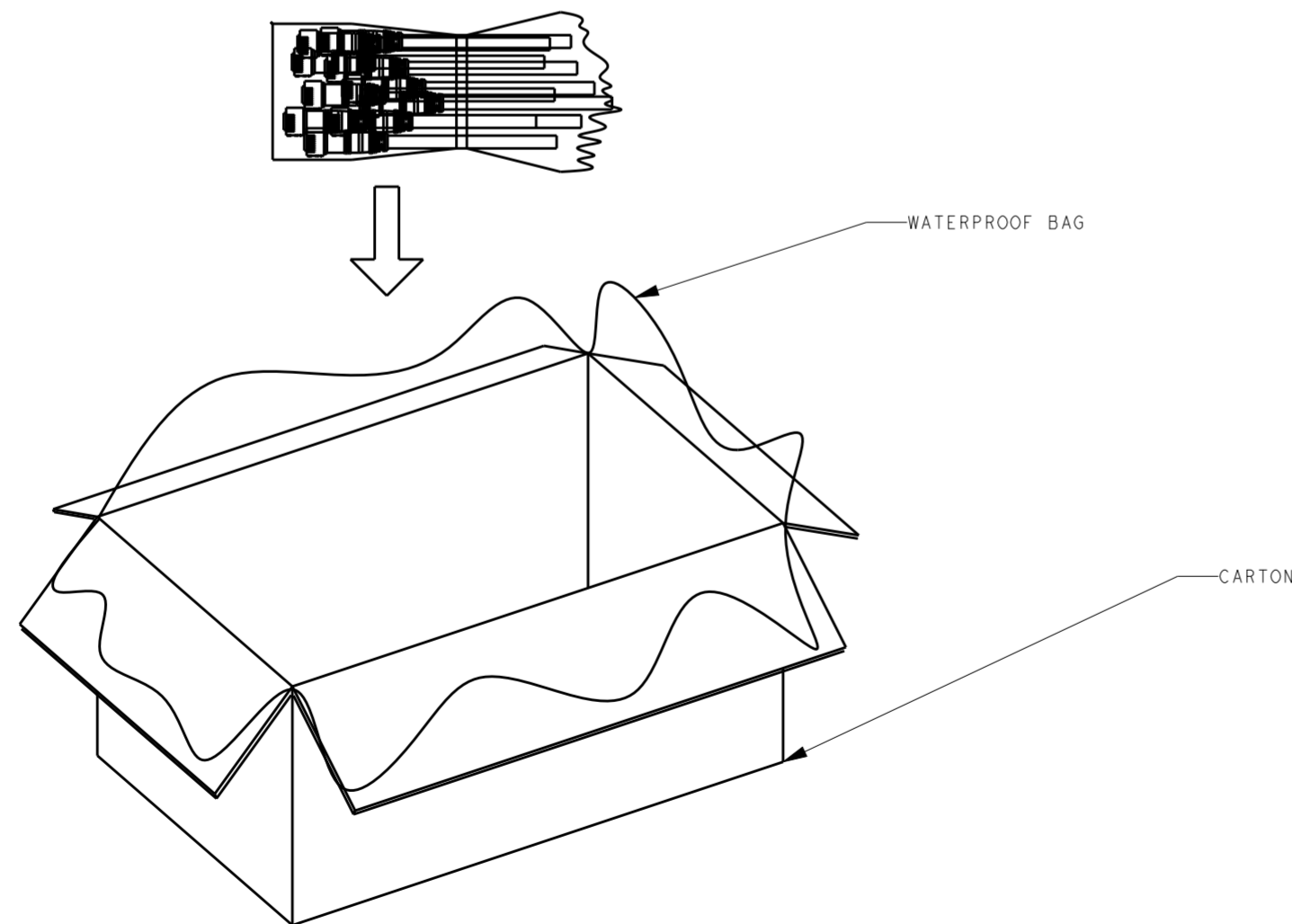
1. PUT PIECES OF PARTS INTO THE PLASTIC BAG, AND SEALED WITH RUBBER BAND AS 1 BUNCH.



3. SEAL THE CARTON.



2. PUT BUNCHES OF PARTS INTO CARTON.



4. PACKAGING QUANTITIES (REFER SHEET 1 FOR PN DEFINITION):

P/N	PARTS PER CARTON (PCS)
9-2834003-1	500
9-2834003-2	260
9-2834003-3	90
9-2834003-4	60

OBSOLETE

THIS DRAWING IS A CONTROLLED DOCUMENT.		DWN 17MAY2019 FRANK FAN	STE TE Connectivity		
DIMENSIONS: mm		CHK 17MAY2019 GEORGE FU			
TOLERANCES UNLESS OTHERWISE SPECIFIED:		APVD 17MAY2019 MING SHI	NAME 3P FEMALE CABLE ASSEMBLY CIRCULAR LIGHTING SEALED CONN.		
0 PLC ± 1 PLC ±0.5 2 PLC ±0.5 3 PLC ± 4 PLC ±		PRODUCT SPEC 108-173041	SIZE A2	CAGE CODE -	DRAWING NO C-2834003
MATERIAL		APPLICATION SPEC 114-173041	RESTRICTED TO -	SCALE 1:2 SHEET 2 OF 2 REV C	
FINISH		WEIGHT -	Customer Drawing		

X-ON Electronics

Largest Supplier of Electrical and Electronic Components

Click to view similar products for [Lighting Cables](#) category:

Click to view products by [TE Connectivity](#) manufacturer:

Other Similar products are found below :

[CL2-EXTEND](#) [96CB-E0605HAA1](#) [ZWF-915-J](#) [68801-4899](#) [68801-2112](#) [68801-2123](#) [68801-4124](#) [68801-4752](#) [68801-4850](#) [ZFS-CH144-12I](#) [96CB-E0405PCA3](#) [96CB-E0405PIC3](#) [96CB-E0605HAB1](#) [SSL11-J2LJ0-022A04](#) [CNXBE4218](#) [1-2058943-7](#) [1-2058943-8](#) [1-2083075-2](#) [1-2083080-1](#) [CNX310-120-X4124](#) [CNX_C_E_4_2_08](#) [CNXBE4118](#) [CNX_310_012_E_4_1_12](#) [2702306](#) [2702307](#) [SSL12-J4FJ0-000001](#) [180888-0405](#) [SSL12-J2LJ0-020F01](#) [180887-0430](#) [1705131](#) [180887-0410](#) [180778-0405](#) [1-2083029-8](#) [SSL12-J4LJ0-020H01](#) [180778-0430](#) [SSL12-P4LP0-M20H01](#) [SSL12-P4LP0-M20F01](#) [SSL12-P2LP0-M20F01](#) [SSL12-J4LJ0-020F01](#) [SSL11-J2LJ0-B22A04](#) [68801-4037](#) [68801-4039](#) [68801-4053](#) [68801-4055](#) [68801-4057](#) [68801-4059](#) [68801-4061](#) [960026](#) [2-2083030-2](#) [SSL12-J2LJ0-020A04](#)