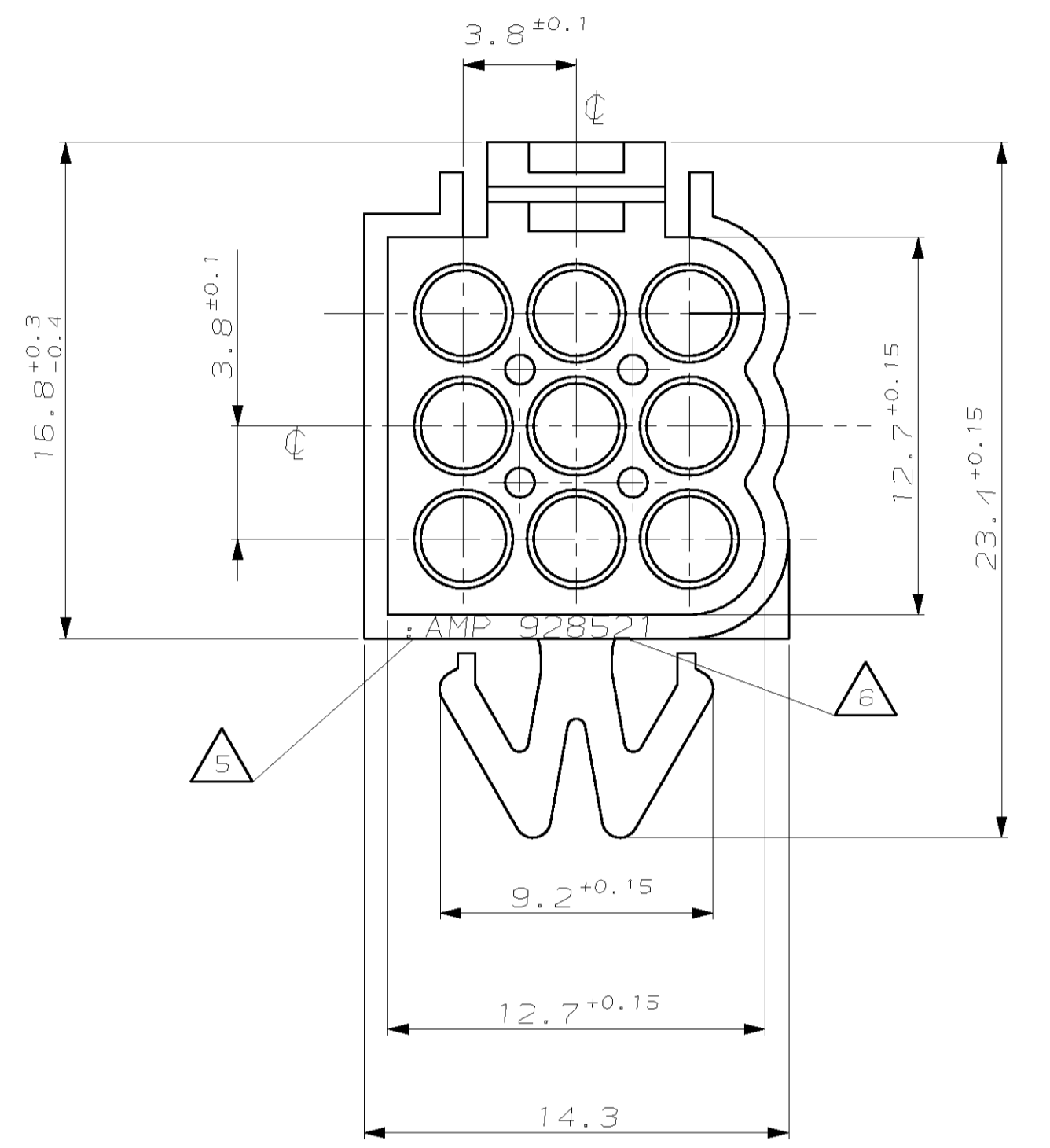
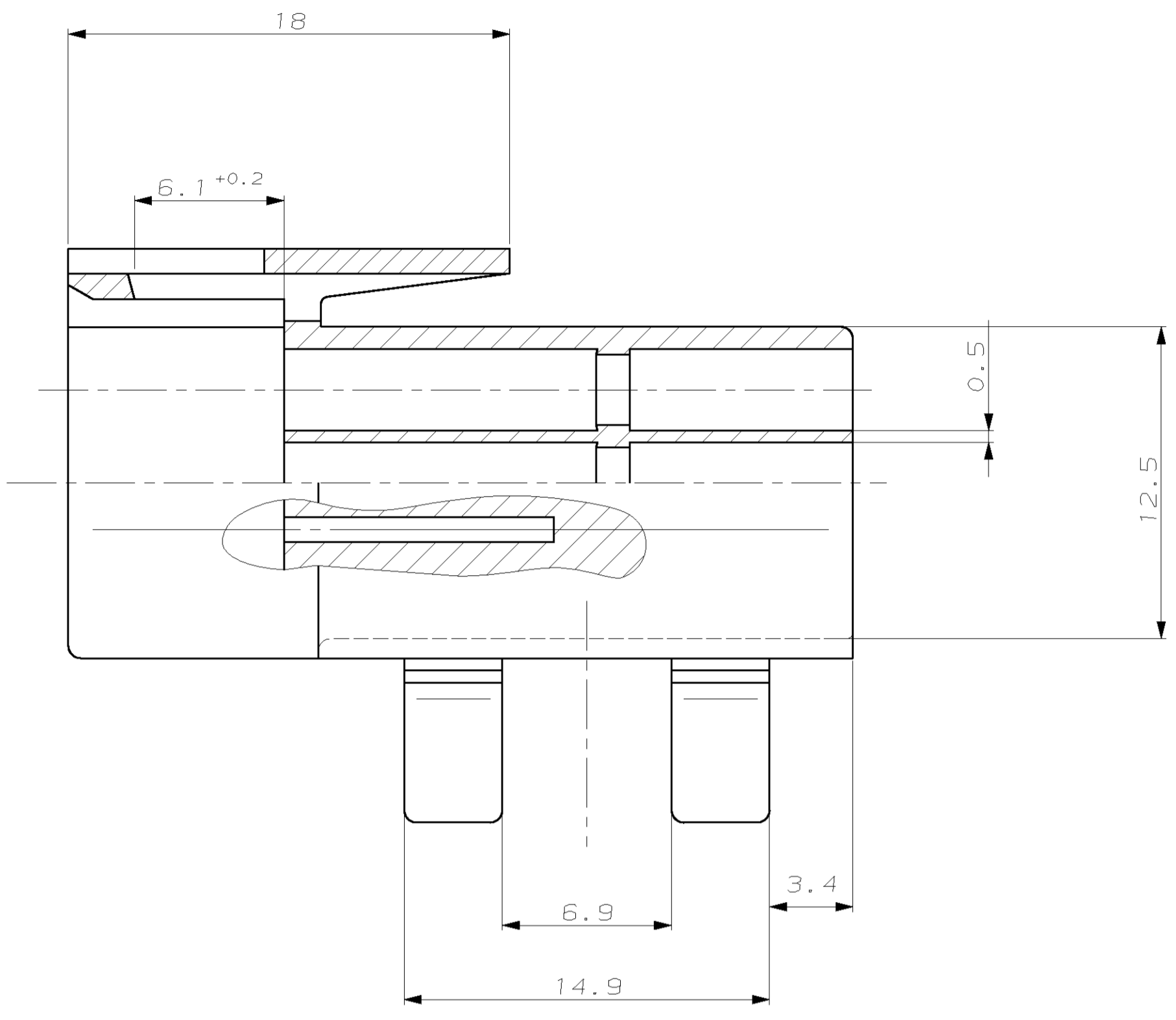
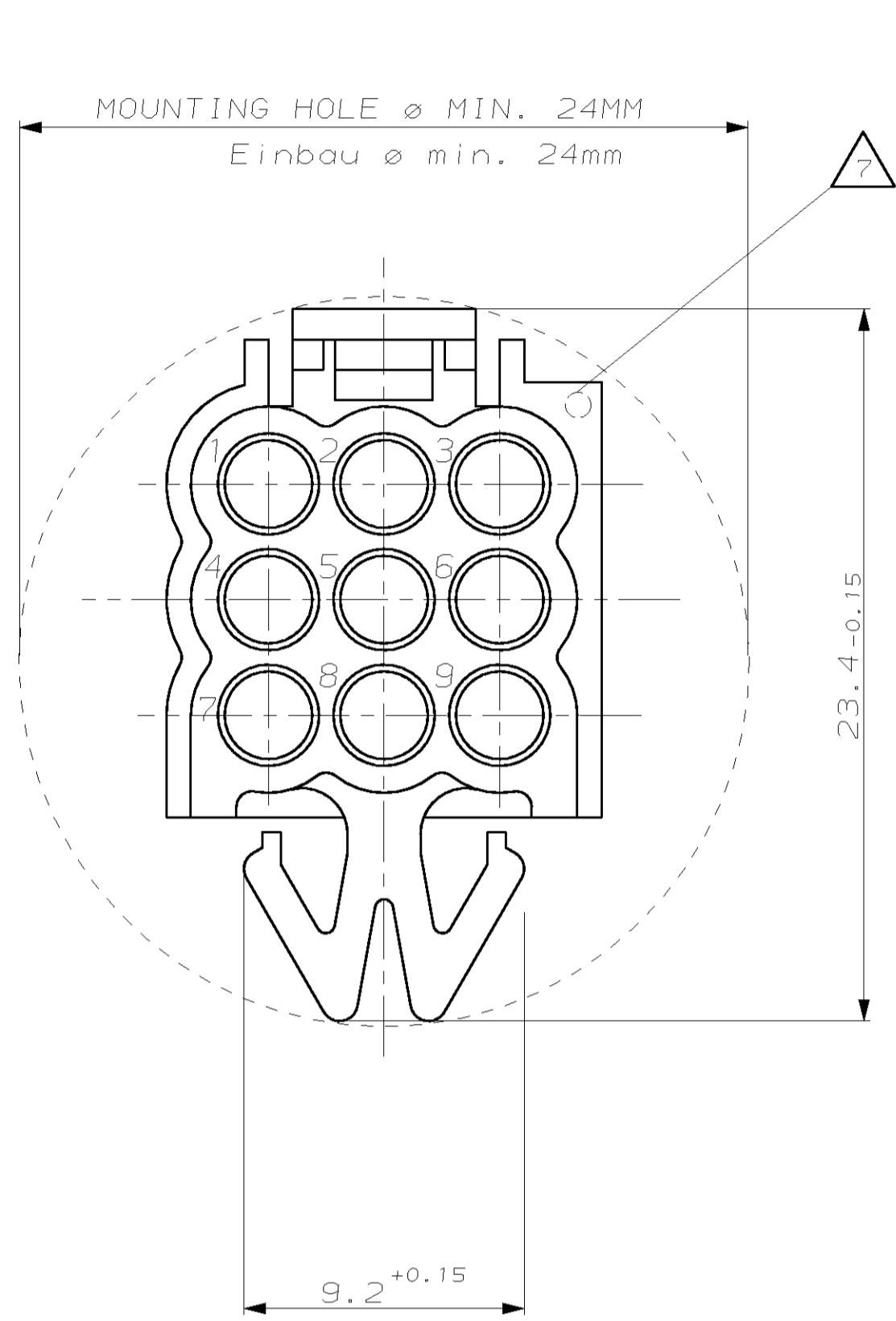
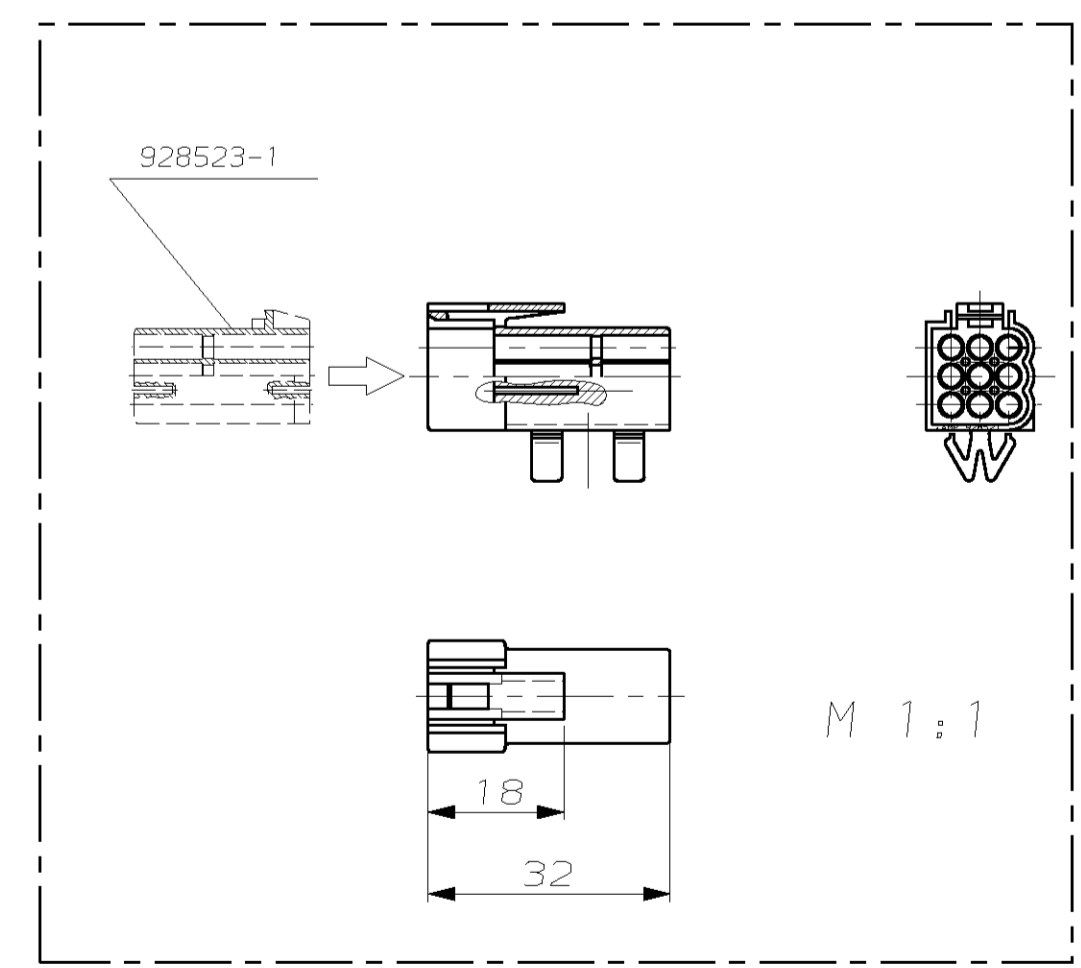
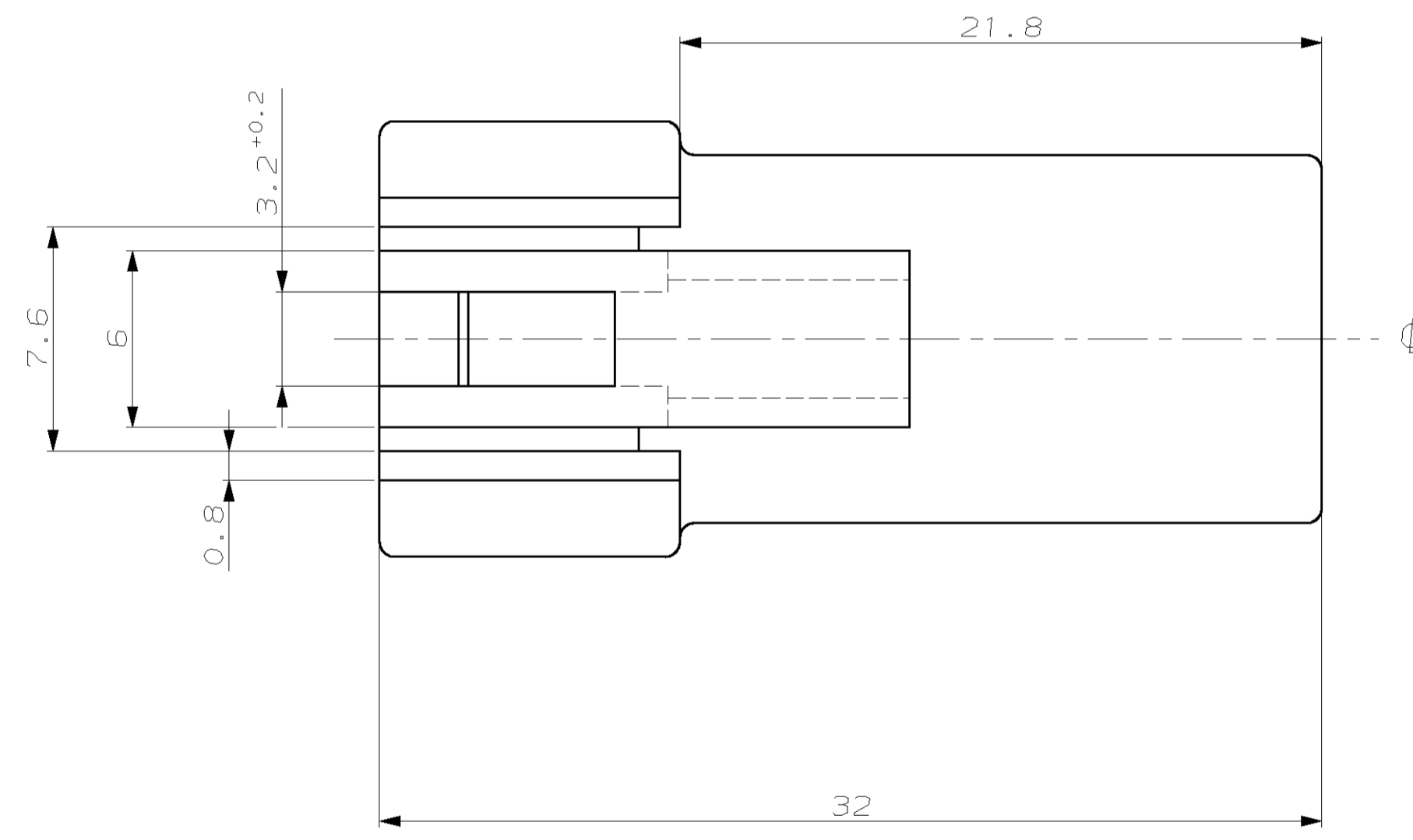
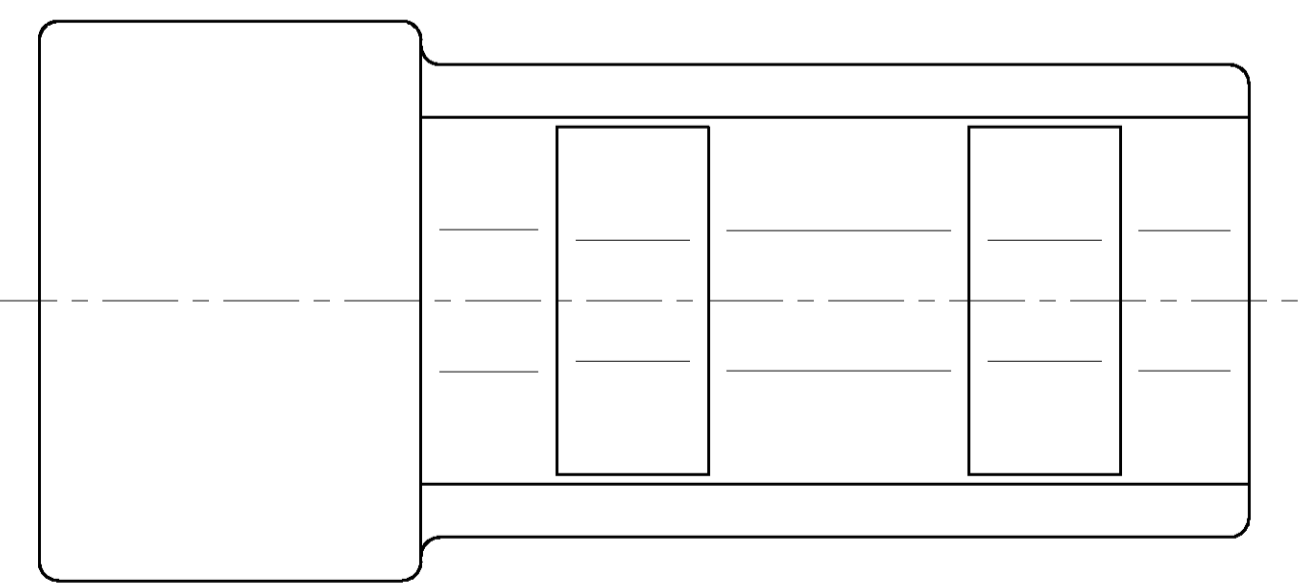


LOC	DIST	REV	LYR	DESCRIPTION	DATE	DMN	APVD
A1	-	H		SEE FCN E600-1060-97-1	29OCT97	Gass.	Kunze
		H1		SEE E-06-003777	15FEB06	C.A.	V.B.



VIEW X
Ansicht X



- NOTES:**
Bemerkungen:
- HOUSING WITHOUT CLIP 928522
Gehäuse ohne Blechverrastung 928522
 - STEEL HOLE $8^{+0.2} \times 15^{+0.2}$
Blechausschnitt $8^{+0.2} \times 15^{+0.2}$
 - RADII WITHOUT DIMENSIONS 0.5
Unbemaßte Radien 0.5
 - ALL SHARP EDGES
ALLE scharfen Kanten -0.2
 - AMP LOGO
AMP Logo
 - ORDER NUMBER
Bestell-Nummer
 - CAVITY MARKING
Nestmarkierung

ONLY RECOMMENDED CONTACTTABLE / Kontakttable					
0-927884-1	0-927885-1	-	0.5-1.0 FLR	CuSn4	PRE TIN PLATED
0-927884-2	0-927885-2	-	0.5-1.0 FLR	CuZn 30	PRE TIN PLATED
0-926980-2	0-926981-2	-	0.5-1.0 FLK	CuZn 30	PRE TIN PLATED
AMP ORDER NUMBER	STRIP FORM	SEAL	WIRE RANGE	MATERIAL	FINISH
LOOSE PIECE					

(H1)

CUSTOMER PART NO	AMP PART NO	REV.	PCS.	MATERIAL	SURFACE COLOR	DESCRIPTION	ITEM NO
-	0-928521-1	H	1	PA 66	NATURAL	CI II PIN HSG., 9POS.	1

<p>THIS DRAWING IS A CONTROLLED DOCUMENT FOR THE INDUSTRY. IT IS SUBJECT TO CHANGE AND THE CONTROLLING ENGINEERING DEPARTMENT SHALL BE CONTACTED FOR THE LATEST REVISION. ANY CHANGES SHALL BE INCORPORATED IMMEDIATELY. APPROVED FOR THE DRAWING AUTHORITY SIGNING: SEE WORKBOOK FOR SPECIAL INSTRUCTIONS REGARDING THE DRAWING.</p>		<p>DATE: 30OCT95</p> <p>DRW: H. Bouda</p> <p>CHK: D. Jakobleit</p>	<p>AMP Deutschland GmbH D - 63225 Langen</p>
<p>DIMENSIONS: DIMENSIONEN: mm</p> <p>TOLERANCES UNLESS OTHERWISE SPECIFIED: TOLERANZEN UNLESS OTHERWISE SPECIFIED: ALLIGERE TOLERANZEN</p>		<p>PRODUCT SPEC: PRODUKTSPEZ.</p> <p>APPLICATION SPEC: VERARBEITUNGSSPEZ.</p>	<p>CI II PIN HSG., 9POS.</p> <p>CI II Stiftgehäuse, 9pol.</p>
<p>MATERIAL: PA 66</p> <p>FINISH/OBERFLÄCHE/FARBE: NATURAL</p>		<p>WEIGHT: 2.8g</p> <p>CUSTOMER DRAWING: /KUNDENZEICHNUNG</p>	<p>SIZE: A1</p> <p>DATE: 00779</p> <p>REV: 928521</p>

X-ON Electronics

Largest Supplier of Electrical and Electronic Components

Click to view similar products for [Automotive Connectors](#) category:

Click to view products by [TE Connectivity](#) manufacturer:

Other Similar products are found below :

[003-018-000](#) [60403001](#) [60993906-B](#) [M902-2131](#) [M902-2161](#) [M902-2344](#) [72.330.1035.1](#) [73.353.4028.0](#) [F119300-B](#) [F166900](#) [F258300-B](#)
[F358300-B](#) [F407400](#) [F444110](#) [F487000](#) [F509500B-B](#) [827153-1](#) [8N1515-32-24P](#) [9-1326729-8](#) [925474-1](#) [928905-1](#) [964562-4](#) [968782-1](#)
[GT17SA-8DS-HU](#) [98891-1012](#) [98947-1016](#) [12004147](#) [12004475-L](#) [12010290](#) [12010309-B](#) [12015454](#) [12020219-B](#) [12041318-B](#) [12052225-](#)
[L](#) [12052466](#) [12064869](#) [12004327-B](#) [12015308](#) [12015384](#) [12015909](#) [1-21030-1](#) [12041254](#) [12041318](#) [12047946-B](#) [12047957](#) [12047957-L](#)
[12059473](#) [12066261](#) [12110546](#) [12110546-B](#)