

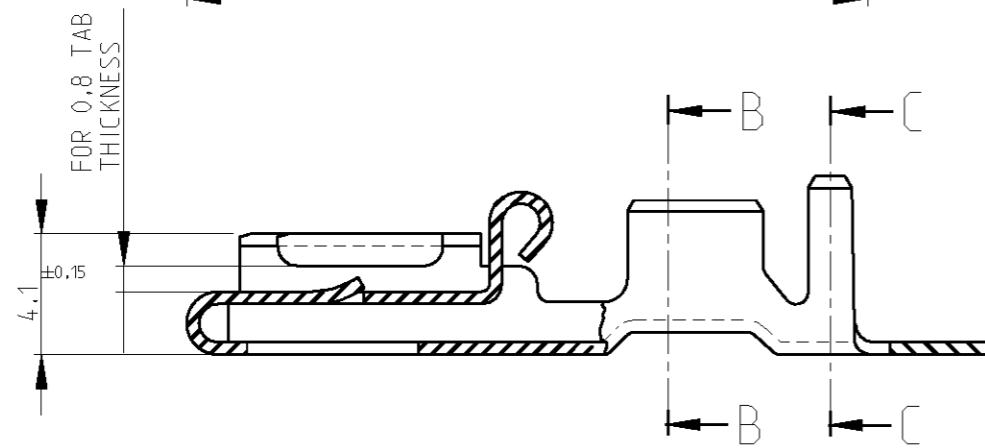
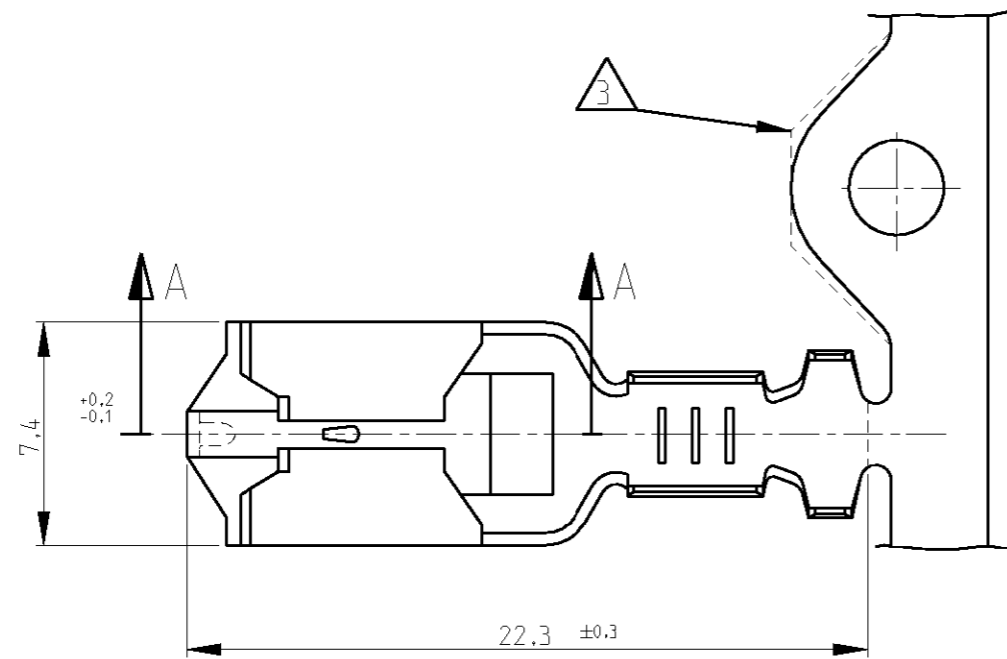
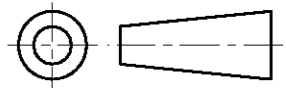
DO NOT SCALE

DIMENSIONS IN mm

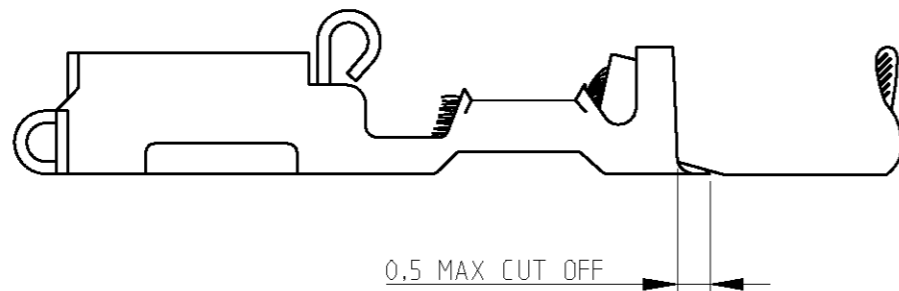
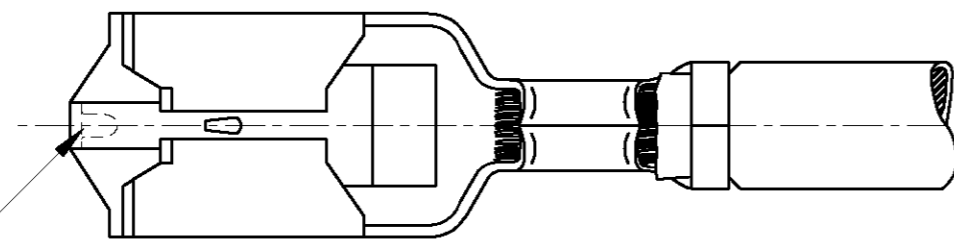
METRIC

THIRD ANGLE

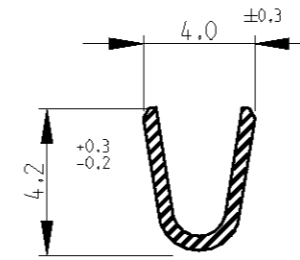
PROJECTION



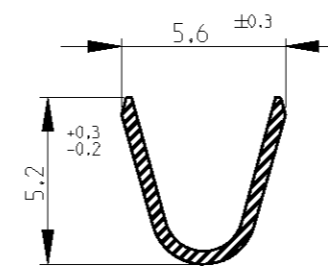
SECTION A-A



WIRE RANGE :	1.0-2.5 mm?
INSULATION RANGE :	3.0-4.3mm DIA.



SECTION B-B



SECTION C-C

NOTES:

- 1 FOR USE ON MINIATURE APPLICATOR (LEFT-RIGHT FEED)
- 2 REELED WITH PAPER.
- 3 CONFIGURATION OF CARRIER-STRIP OPTIONAL.
- 4 FOR USE ON MINIATURE APPLICATOR (LEFT-RIGHT FEED) AMP-O-MATOR APPLICATION.
- 5 OBSOLETE PARTS: OBSOLETE CIS STREAMLINING PER D.RENAUD/D.SINISI

5 OBSOLETE	PRE-TIN PLATED	PH.BRONZE	4	6-160831-8
	PRE-TIN PLATED	BRASS	4	6-160831-7
5 OBSOLETE	TIN PLATED	PH.BRONZE	4	1-160831-2
	UNPLATED	BRASS	4	1-160831-1
5 OBSOLETE	TIN PLATED	BRASS	4	1-160831-0
	UNPLATED	NICKEL-SILVER		0-160831-9
5 OBSOLETE	SILVERPLATED	PH.BRONZE		0-160831-8
	SILVERPLATED	BRASS		0-160831-7
	UNPLATED	BRASS	2	0-160831-6
	UNPLATED	PH.BRONZE	2	0-160831-5
	TIN PLATED	PH.BRONZE		0-160831-4
	TIN PLATED	BRASS		0-160831-3
	UNPLATED	PH.BRONZE		0-160831-2
	UNPLATED	BRASS		0-160831-1
	FINISH	MATERIAL		PART NUMBER

				CUSTOMER DRAWING		FOR REFERENCE ONLY WILL NOT BE UPDATED	
				THIS DRAWING IS UNPUBLISHED RELEASED FOR PUBLICATION			
				STE TE Connectivity			
				NAME			
				POSITIVE LOCK RECEPTACLE .250 (6,35) SERIES			
M2	ECO-11-005294	RK	HMR	19APR11			
LTR.	REVISION RECORD		DR.	CHK.	DATE		
DR.:	J.v.LIEMPT	CHK.:	M.v.DRIEL	APP.:	M.v.DRIEL	DWG.No.	REV.LTR.
DATE:	07 FEB 97	DATE:	18 FEB 02	DATE:	18 FEB 02	C-160831	M2
						SHEET	1 OF 1

X-ON Electronics

Largest Supplier of Electrical and Electronic Components

Click to view similar products for [Terminals](#) category:

Click to view products by [TE Connectivity](#) manufacturer:

Other Similar products are found below :

[00-054007-01074-6](#) [00-054007-70206-1](#) [00-054007-70210-8](#) [00-054007-70217-7](#) [00-054007-70226-9](#) [00-054007-70228-3](#) [00-054007-70248-1](#) [00-054007-70256-6](#) [00-054007-70301-3](#) [00-054007-70316-7](#) [0-0320562-0](#) [00-054007-49560-4](#) [00-054007-70209-2](#) [00-054007-70225-2](#) [00-054007-70227-6](#) [00-054007-70231-3](#) [00-054007-70241-2](#) [00-054007-70242-9](#) [00-054007-70244-3](#) [00-054007-70246-7](#) [00-054007-70263-4](#) [00-054007-70288-7](#) [00-054007-70290-0](#) [00-054007-70300-6](#) [00-054007-70304-4](#) [01-2065-1-0216](#) [01-2900-1-04412](#) [00581P0075](#) [600TS-10](#) [60205-1](#) [604200-1](#) [605601-1](#) [60598-1-CUT-TAPE](#) [61314-6-C](#) [61810-3](#) [61-S](#) [61-SN](#) [626-0194](#) [62-NBM-A](#) [62-SN](#) [62-SP](#) [63-S](#) [640179-1](#) [M55155/059I03](#) [M55155/079C01](#) [M55155/099H02](#) [M55155/109H01](#) [M55155/109H02](#) [M55155/12XH05](#) [M55155/16XH02](#)