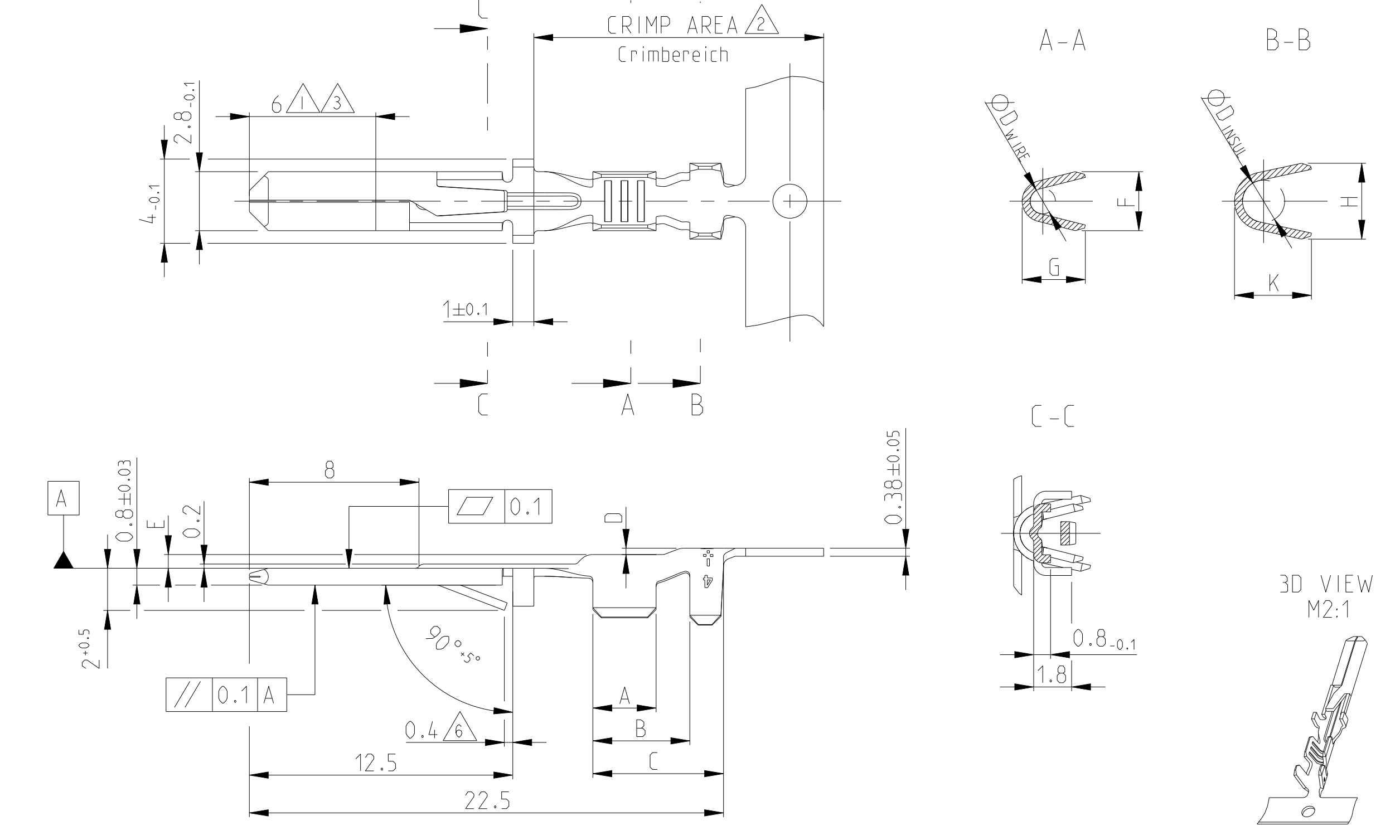
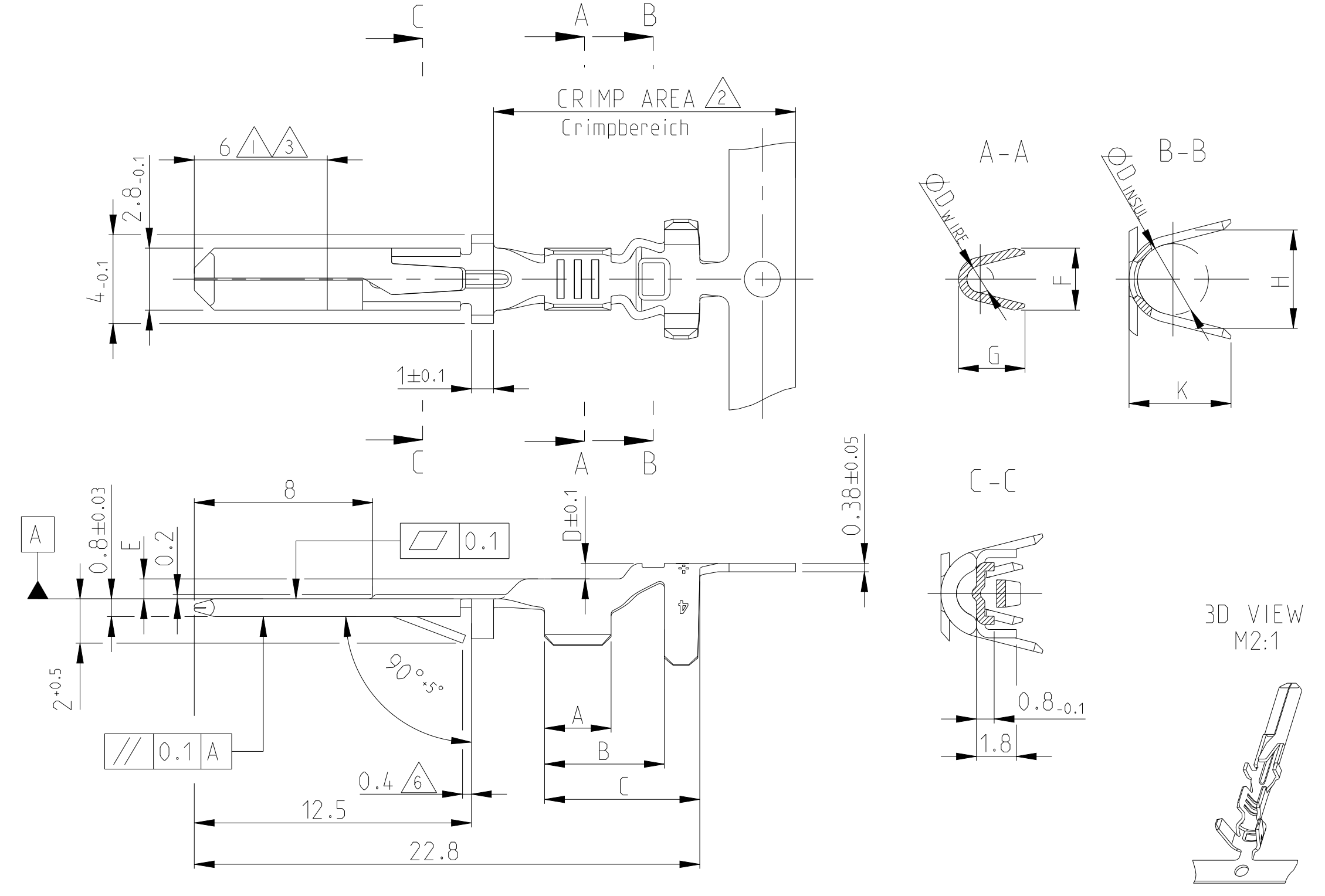


STRIP FORM - UNSEALED
Bandware - ungedichtet

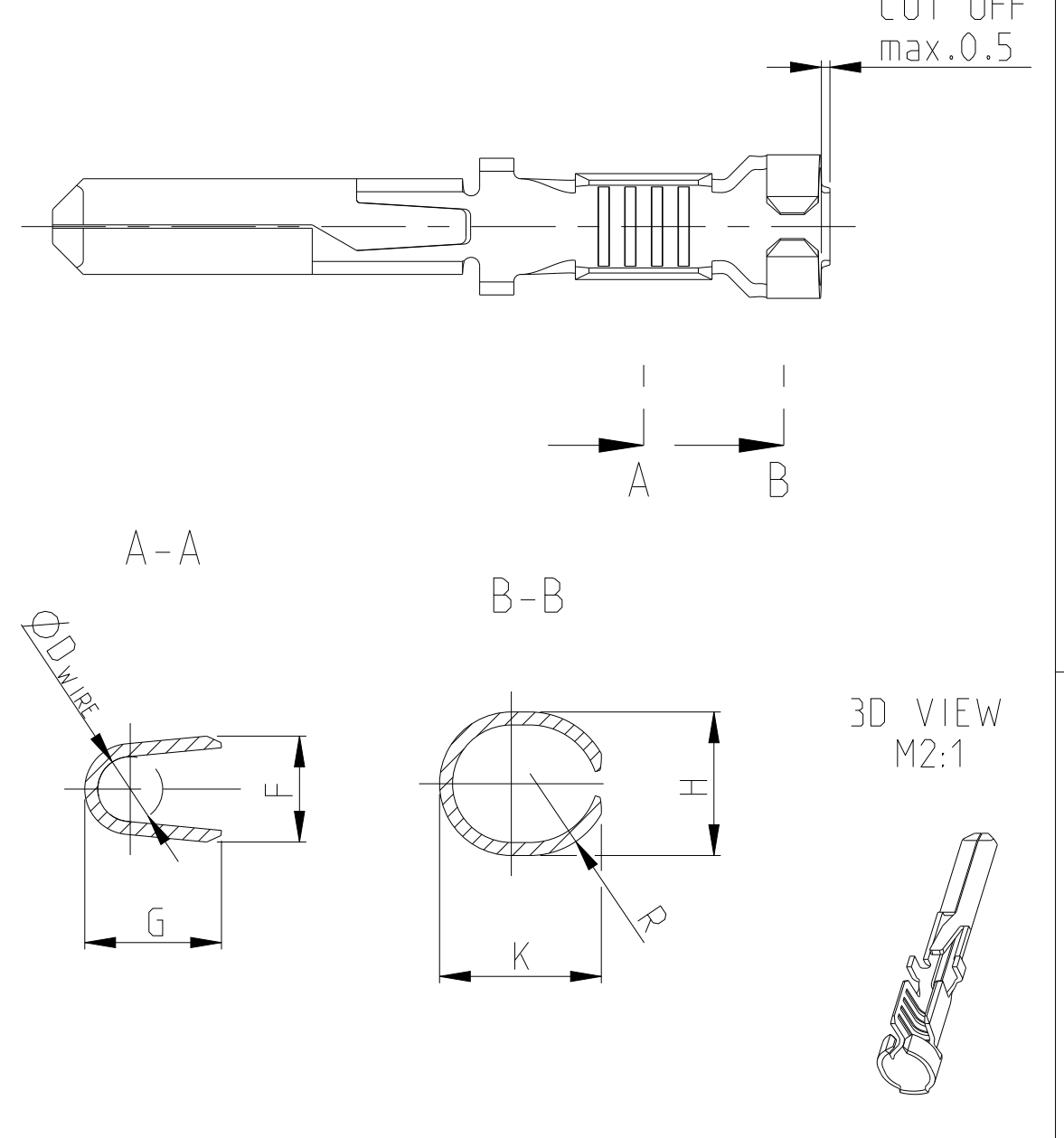


STRIP FORM - SINGLE WIRE SEAL
Bandware - Einzel-Dichtung System



REVISIONS				
P	LTN	DESCRIPTION	DATE	OWN APVD
A6		REVISED PER ECR-20-008867	08JUL2020	BH E.W
A7		REVISED PER ECR-20-013815	22OCT2020	MK E.W
AB		REVISED PER ECR-21-100862	19MAR2021	SS E.W

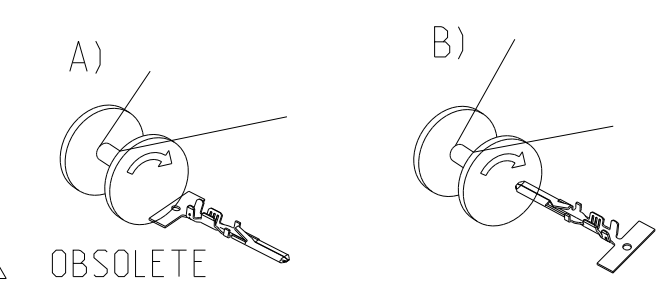
LOOSE PIECE
Einzelauflösung



HAND TOOL Handzange	APPLICATOR Anschlag-WKZ	K	H	R	G	F	D _{WIRE}	K	H	D _{INSUL}	G	F	D _{WIRE}	E	D	C	B	A	REELING	INSULATION RANGE Isolations- durchmesser	WIRE RANGE DGB [mm]	FINISH Oberfläche	MATERIAL	TYCO ORDER No. LOOSE PIECE Einzelauflösung	REV	TYCO ORDER No. STRIP FORM Bandware	SINGLE WIRE SEAL/ Einzel-Dichtung	
																											INSULATION BARREL Isolationsbereich	WIRE BARREL Drahtbereich
N/A	N/A	4.3	4.8	2.8	4.0	3.1	1.7	4.6	5.6	3.6	4.0	3.8	1.7	0.85	0.95	7.5	5.9	3.5	B	∅3.4	1.0 - 2.5 FLR	PRETINNED min.1µm	CuSn4	∅ 0-965975-5	J	∅ 0-929949-5		
N/A	N/A	4.3	4.8	2.8	4.0	3.1	1.7	4.6	5.6	3.6	4.0	3.8	1.7	0.85	0.95	7.5	5.9	3.5	B	∅3.4	1.0 - 2.5 FLR	SEL. GOLD PLATED	CuZn30	∅ 0-965975-4	J	∅ 0-929949-4		
N/A	N/A	4.3	4.8	2.8	4.0	3.1	1.7	4.6	5.6	3.6	4.0	3.8	1.7	0.85	0.95	7.5	5.9	3.5	B	∅3.4	1.0 - 2.5 FLR	PLAIN	CuZn30	∅ 0-965975-3	J	∅ 0-929949-3		
N/A	N/A	4.3	4.8	2.8	4.0	3.1	1.7	4.6	5.6	3.6	4.0	3.8	1.7	0.85	0.95	7.5	5.9	3.5	B	∅3.4	1.0 - 2.5 FLR	PRETINNED min.1µm	CuZn30	∅ 0-965975-2	J	∅ 0-929949-2		
N/A	N/A	4.3	4.8	2.8	4.0	3.1	1.7	4.6	5.6	3.6	4.0	3.8	1.7	0.85	0.95	7.5	5.9	3.5	B	∅3.4	1.0 - 2.5 FLR	SEL. SILVER PLATED	CuZn30	∅ 0-965975-1	J	∅ 0-929949-1		
2-1579001-1 WITH DIE SET: mit Matrize: 1579001-2	N/A	2.5	2.5	1.4	2.2	2.0	0.8	2.8	2.8	1.4	2.2	2.2	0.8	0.65	0.2	5.7	4.1	2.5	B	∅1.15 - 1.6	0.2 - 0.5 FLR	PRETINNED min.1µm	CuSn4	∅ 0-963962-5	D	∅ 0-963961-5		
539635-1 WITH DIE SET: mit Matrize: 539743-2	878416-0	3.7	3.1	(1.8)	3.0	2.2	1.2	4.1	3.9	1.8	3.0	2.8	1.2	0.65	0.2	6.2	4.6	3.0	B	∅1.4 - 2.3	0.5 - 1.0 FLR	SEL. GOLD PLATED	CuZn30	∅ 0-963962-4	D	∅ 0-963961-4		
169400 WITH DIE SET: mit Matrize: 734262 - 0	878402-0	4.4	3.8	2.3	4.0	3.1	1.8	4.9	4.7	2.6	4.0	3.8	1.8	1.15	0.3	7.2	5.6	4.0	B	∅1.8 - 2.9	1.0 - 2.5 FLR	PLAIN	CuZn30	∅ 0-963962-3	D	∅ 0-963961-3		
N/A	878227-0	4.8	4.2	2.4	4.0	3.1	1.9	5.3	4.8	3.1	4.0	3.8	1.9	1.15	0.4	7.2	5.6	4.0	B	∅2.3 - 3.5 RB-Leitung	1.5 - 3 FLR	PRETINNED min.1µm	CuZn30	∅ 0-963962-2	D	∅ 0-963961-2		
N/A	N/A	3.3	3.1	(1.8)	3.0	2.2	1.2	3.65	3.6	2.0	3.0	2.8	1.2	0.65	0.3	6.2	4.6	3.0	B	∅1.6 - 2.2 RB-Leitung	0.5 - 1.0 FLR	SEL. SILVER PLATED	CuZn30	∅ 0-963962-1	D	∅ 0-963961-1		
N/A	N/A	3.3	3.1	(1.8)	3.0	2.2	1.2	3.65	3.6	2.0	3.0	2.8	1.2	0.65	0.3	6.2	4.6	3.0	B	∅1.6 - 2.2 RB-Leitung	0.5 - 1.0 FLR	PRETINNED min.1µm	CuSn4	∅ 0-928931-5	P	0-928930-5		
N/A	N/A	3.3	3.1	(1.8)	3.0	2.2	1.2	3.65	3.6	2.0	3.0	2.8	1.2	0.65	0.3	6.2	4.6	3.0	B	∅1.6 - 2.2 RB-Leitung	0.5 - 1.0 FLR	SEL. GOLD PLATED	CuZn30	∅ 0-928931-4	P	0-928930-4		
N/A	N/A	3.3	3.1	(1.8)	3.0	2.2	1.2	3.65	3.6	2.0	3.0	2.8	1.2	0.65	0.3	6.2	4.6	3.0	B	∅1.6 - 2.2 RB-Leitung	0.5 - 1.0 FLR	PLAIN	CuZn30	∅ 0-928931-3	P	0-928930-3		
N/A	N/A	3.3	3.1	(1.8)	3.0	2.2	1.2	3.65	3.6	2.0	3.0	2.8	1.2	0.65	0.3	6.2	4.6	3.0	B	∅1.6 - 2.2 RB-Leitung	0.5 - 1.0 FLR	PRETINNED min.1µm	CuZn30	∅ 0-928931-2	P	0-928930-2		
N/A	N/A	3.3	3.1	(1.8)	3.0	2.2	1.2	3.65	3.6	2.0	3.0	2.8	1.2	0.65	0.3	6.2	4.6	3.0	B	∅1.6 - 2.2 RB-Leitung	0.5 - 1.0 FLR	SEL. SILVER PLATED	CuZn30	∅ 0-928931-1	P	0-928930-1		
N/A	N/A	3.3	3.1	(1.8)	3.0	2.2	1.2	3.65	3.6	2.0	3.0	2.8	1.2	0.65	0.3	6.2	4.6	3.0	B	∅1.6 - 2.2 RB-Leitung	0.5 - 1.0 FLR	PRETINNED min.1µm	CuSn4	∅ 0-928794-5	R	0-928781-5		
N/A	N/A	3.3	3.1	(1.8)	3.0	2.2	1.2	3.65	3.6	2.0	3.0	2.8	1.2	0.65	0.3	6.2	4.6	3.0	B	∅1.6 - 2.2 RB-Leitung	0.5 - 1.0 FLR	SEL. GOLD PLATED	CuZn30	∅ 0-928794-4	R	∅ 0-928781-4		
N/A	N/A	3.3	3.1	(1.8)	3.0	2.2	1.2	3.65	3.6	2.0	3.0	2.8	1.2	0.65	0.3	6.2	4.6	3.0	B	∅1.6 - 2.2 RB-Leitung	0.5 - 1.0 FLR	PLAIN	CuZn30	∅ 0-928794-3	R	∅ 0-928781-3		
N/A	N/A	3.3	3.1	(1.8)	3.0	2.2	1.2	3.65	3.6	2.0	3.0	2.8	1.2	0.65	0.3	6.2	4.6	3.0	B	∅1.6 - 2.2 RB-Leitung	0.5 - 1.0 FLR	PRETINNED min.1µm	CuZn30	∅ 0-928794-2	R	0-928781-2		
N/A	N/A	3.3	3.1	(1.8)	3.0	2.2	1.2	3.65	3.6	2.0	3.0	2.8	1.2	0.65	0.3	6.2	4.6	3.0	B	∅1.6 - 2.2 RB-Leitung	0.5 - 1.0 FLR	SEL. SILVER PLATED	CuZn30	∅ 0-928794-1	R	∅ 0-928781-1		
N/A	N/A	3.3	3.1	(1.8)	3.0	2.2	1.2	3.65	3.6	2.0	3.0	2.8	1.2	0.65	0.3	6.2	4.6	3.0	B	∅1.6 - 2.2 RB-Leitung	0.5 - 1.0 FLR	PRETINNED min.1µm	CuSn4	∅ 0-928924-5	R	∅ 0-927893-5		
N/A	N/A	3.3	3.1	(1.8)	3.0	2.2	1.2	3.65	3.6	2.0	3.0	2.8	1.2	0.65	0.3	6.2	4.6	3.0	B	∅1.6 - 2.2 RB-Leitung	0.5 - 1.0 FLR	SEL. SILVER PLATED	CuSn4	∅ 0-928924-4	R	∅ 0-927893-4		
N/A	N/A	3.3	3.1	(1.8)	3.0	2.2	1.2	3.65	3.6	2.0	3.0	2.8	1.2	0.65	0.3	6.2	4.6	3.0	B	∅1.6 - 2.2 RB-Leitung	0.5 - 1.0 FLR	PLAIN	CuSn4	∅ 0-928924-3	R	∅ 0-927893-3		
N/A	N/A	3.3	3.1	(1.8)	3.0	2.2	1.2	3.65	3.6	2.0	3.0	2.8	1.2	0.65	0.3	6.2	4.6	3.0	B	∅1.6 - 2.2 RB-Leitung	0.5 - 1.0 FLR	SEL. GOLD PLATED	CuSn4	∅ 0-928924-2	R	∅ 0-927893-2		
N/A	N/A	3.3	3.1	(1.8)	3.0	2.2	1.2	3.65	3.6	2.0	3.0	2.8	1.2	0.65	0.3	6.2	4.6	3.0	B	∅1.6 - 2.2 RB-Leitung	0.5 - 1.0 FLR	PRETINNED min.1µm	CuZn30	∅ 0-928924-1	R	∅ 0-927893-1		
N/A	N/A	3.3	3.1	(1.8)	3.0	2.2	1.2	3.65	3.6	2.0	3.0	2.8	1.2	0.65	0.3	6.2	4.6	3.0	B	∅1.6 - 2.2 RB-Leitung	0.5 - 1.0 FLR	PRETINNED min.1µm	CuSn4	∅ 0-928923-5	S	0-927892-5		
N/A	N/A	3.3	3.1	(1.8)	3.0	2.2	1.2	3.65	3.6	2.0	3.0	2.8	1.2	0.65	0.3	6.2	4.6	3.0	B	∅1.6 - 2.2 RB-Leitung	0.5 - 1.0 FLR	SEL. SILVER PLATED	CuSn4	∅ 0-928923-4	S	∅ 0-927892-4		
N/A	N/A	3.3	3.1	(1.8)	3.0	2.2	1.2	3.65	3.6	2.0	3.0	2.8	1.2	0.65	0.3	6.2	4.6	3.0	B	∅1.6 - 2.2 RB-Leitung	0.5 - 1.0 FLR	PLAIN	CuSn4	∅ 0-928923-3	S	∅ 0-927892-3		
N/A	N/A	3.3	3.1	(1.8)	3.0	2.2	1.2	3.65	3.6	2.0	3.0	2.8	1.2	0.65	0.3	6.2	4.6	3.0	B	∅1.6 - 2.2 RB-Leitung	0.5 - 1.0 FLR	SEL. GOLD PLATED	CuSn4	∅ 0-928923-2	S	∅ 0-927892-2		
N/A	N/A	3.3	3.1	(1.8)	3.0	2.2	1.2	3.65	3.6	2.0	3.0	2.8	1.2	0.65	0.3	6.2	4.6	3.0	B	∅1.6 - 2.2 RB-Leitung	0.5 - 1.0 FLR	PRETINNED min.1µm	CuZn30	∅ 0-928923-1	S	0-927892-1		

NOTES:
Bemerkungen

- 1 CONTACT AREA min.0.75 µm Au OVER min.1.25 µm Ni
Kontaktbereich min.0.75 µm Au über min.1.25 µm Ni
- 2 CRIMP AREA 1-2 µm Sn OVER min.0.05 µm Ni
Crimpbereich 1-2 µm Sn über min.0.05 µm Ni
- 3 Min.3 µm Ag IN LOCALIZED AREA. FLASH Ag ON REMAINDER,
BOTH OVER min.1.25 µm Ni
Min.3 µm Ag im lokalisierte Bereich, Rest flashversilbert, beide über min.1.25 µm Ni
- 4 ALL VERSIONS SPLICE FREE EXCEPT OF 5
Alle Versionen Splice-free außer 5
- 5 SPLICE ACCORDING TO TYCO-SPEC. 118-10107 SPLICE ADDITIONAL MARK
WITH RED SPLICE-STICKER ON THE INTERLEAVING PAPER AND ON THE REEL
Splice nach Tyco-Spec. 118-10107 zusätzlich Splice mit rotem Splice-Aufkleber
auf dem Zwischenlagenpapier und auf dem Reel kennzeichnen
- 6 TO BE MEASURED BY DIMENSION 2 mm
Bei Ausstellung 2 mm
- 7 REELING TYPE
- 8 OBSOLETE
- 9 NUMBER OF SERRATIONS: 4 10 NUMBER OF SERRATIONS: 2



THIS DRAWING IS A CONTROLLED DOCUMENT.		OWN TE Connectivity	21AUG2006		TE Connectivity
DIMENSIONS: mm		CHK P.Hasek	60CT2006		NAME PRODUCT GROUP DRAWING FOR 2.8 mm FASTIN-FASTON® TAB
TOLERANCES UNLESS OTHERWISE SPECIFIED: ISO 2768-H E		APVD P.Vlcek	90CT2006	SIZE 108-18299	RESTRICTED TO
MATERIAL see table siehe Tabelle		FINISH see table siehe Tabelle	APPLICATION SPEC 116-18014	SCALE 5:1	SHEET 1 OF 1
HAND TOOL Handzange		APPLICATOR Anschlag-WKZ	INSULATION BARREL Isolationsbereich	WIRE BARREL Drahtbereich	INSULATION BARREL Isolationsbereich
WIRE RANGE DGB [mm]		FINISH Oberfläche	MATERIAL	TYCO ORDER No. LOOSE PIECE Einzelauflösung	REV
REELING		INSULATION RANGE Isolations- durchmesser	WIRE RANGE DGB [mm]	TYCO ORDER No. STRIP FORM Bandware	
Crimp dimensions Crimpmaße		CUSTOMER DRAWING			

X-ON Electronics

Largest Supplier of Electrical and Electronic Components

Click to view similar products for [Terminals](#) category:

Click to view products by [TE Connectivity](#) manufacturer:

Other Similar products are found below :

[00-054007-01074-6](#) [00-054007-70206-1](#) [00-054007-70210-8](#) [00-054007-70217-7](#) [00-054007-70226-9](#) [00-054007-70228-3](#) [00-054007-70248-1](#) [00-054007-70256-6](#) [00-054007-70301-3](#) [00-054007-70316-7](#) [00-054007-49560-4](#) [00-054007-70209-2](#) [00-054007-70225-2](#) [00-054007-70227-6](#) [00-054007-70231-3](#) [00-054007-70241-2](#) [00-054007-70242-9](#) [00-054007-70244-3](#) [00-054007-70246-7](#) [00-054007-70263-4](#) [00-054007-70288-7](#) [00-054007-70290-0](#) [00-054007-70300-6](#) [00-054007-70304-4](#) [01-2065-1-0216](#) [01-2900-1-04412](#) [00581P0075](#) [600TS-10](#) [60205-1](#) [604200-1](#) [605601-1](#) [60598-1-CUT-TAPE](#) [61314-6-C](#) [61810-3](#) [61-S](#) [61-SN](#) [626-0194](#) [62-NBM-A](#) [62-SN](#) [62-SP](#) [63-S](#) [640179-1](#) [M55155/059I03](#) [M55155/079C01](#) [M55155/099H02](#) [M55155/109H01](#) [M55155/109H02](#) [M55155/12XH05](#) [M55155/16XH02](#) [M55155/29-5S](#)