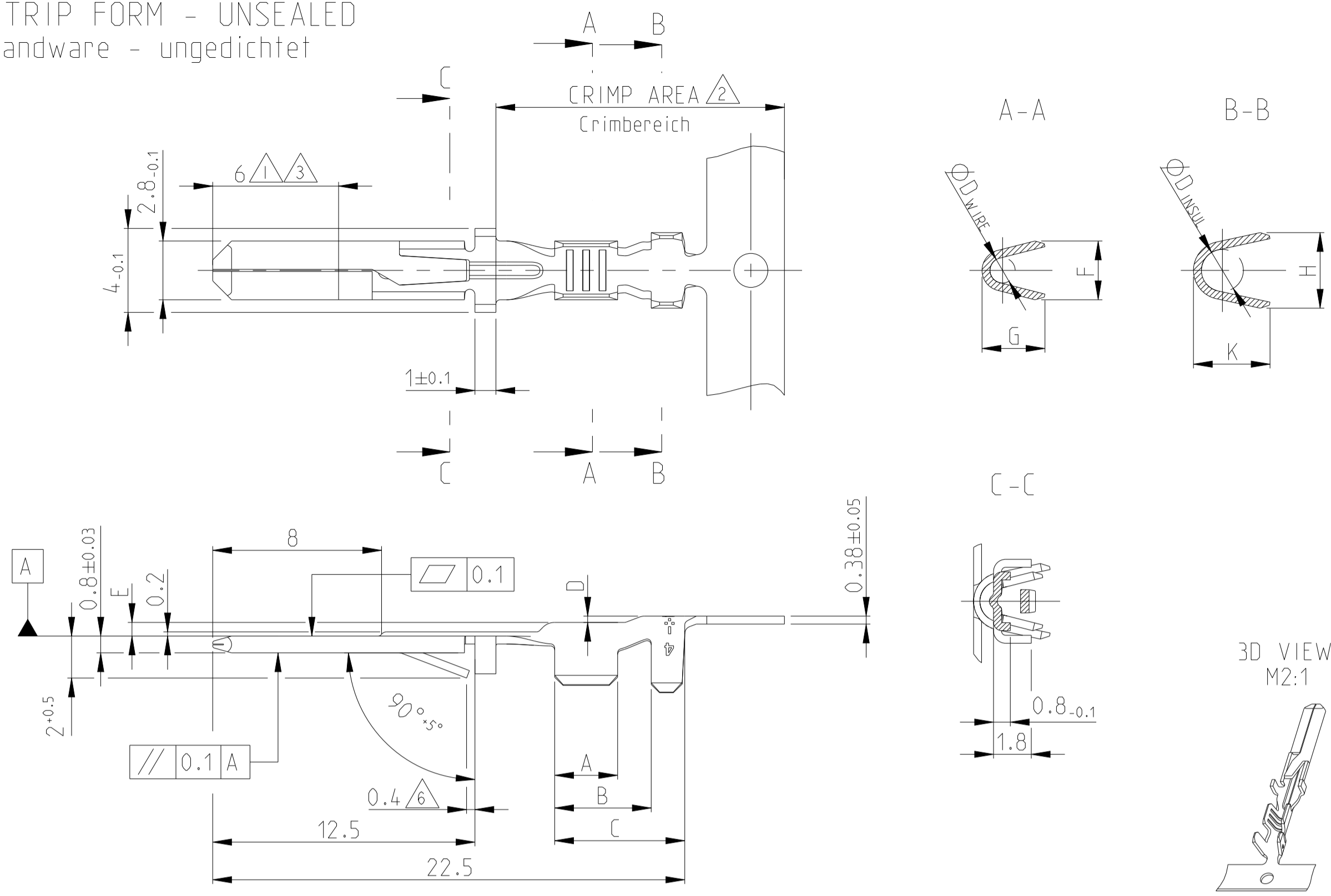
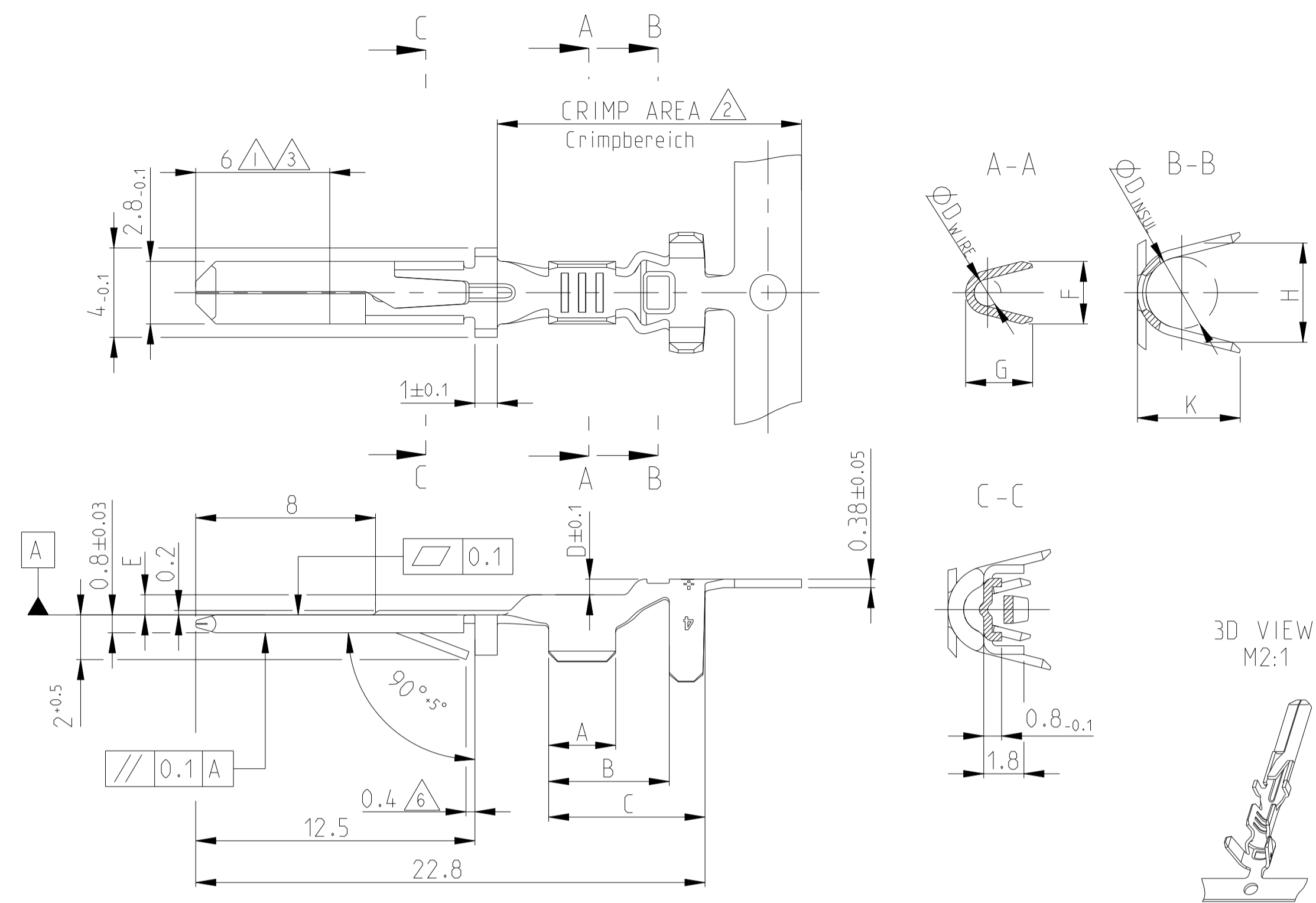


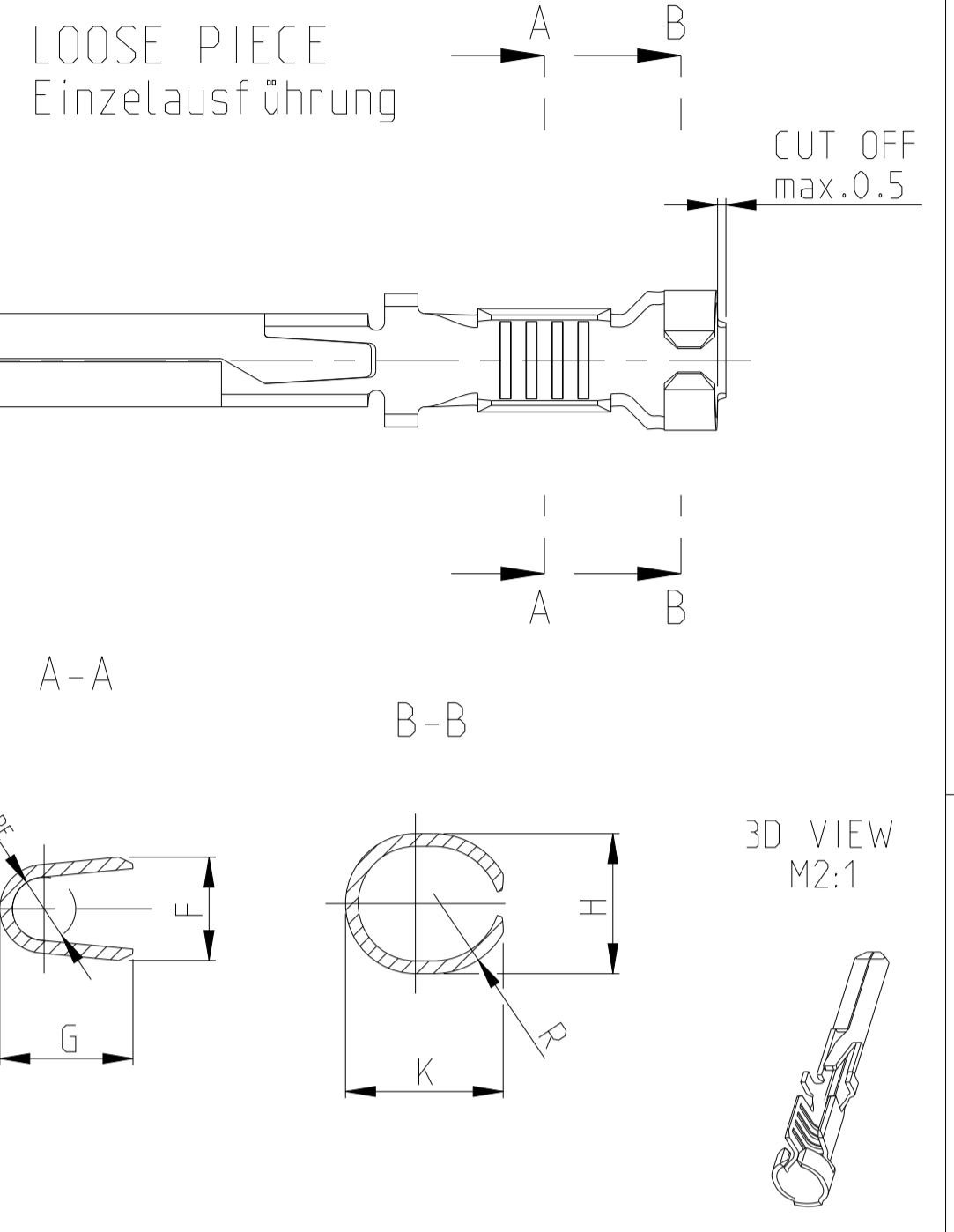
STRIP FORM - UNSEALED  
Bandware - ungedichtet



STRIP FORM - SINGLE WIRE SEAL  
Bandware - Einzel-Dichtung System



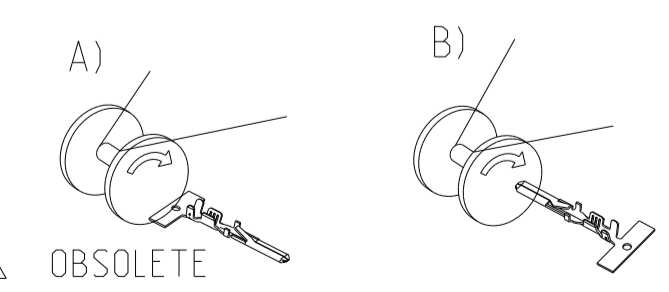
REVISIONS				
P.	LTM	DESCRIPTION	DATE	OWN APVD
A6		REVISED PER ECR-20-008867	08JUL2020	BH E.W
A7		REVISED PER ECR-20-013815	22OCT2020	MK E.W
AB		REVISED PER ECR-21-100862	19MAR2021	SS EW



TYPE	DIE SET	CRIMP DIMENSIONS										REELING	INSULATION RANGE	WIRE RANGE	FINISH	MATERIAL	TYCO ORDER No. LOOSE PIECE	REV	TYCO ORDER No. STRIP FORM											
		K	H	R	G	F	D <sub>WIRE</sub>	K	H	D <sub>INSUL</sub>	G									F	D <sub>WIRE</sub>									
SINGLE WIRE SEAL/ Einzel-Dichtung	N/A	N/A	4.3	4.8	2.8	4.0	3.1	1.7	4.6	5.6	3.6	4.0	3.8	1.7	0.85	0.95	7.5	5.9	3.5	B	Ø3.4	1.0 - 2.5 FLR	PRETINNED min.1µm	CuSn4	8	0-965975-5	J	8	0-929949-5	
																							SEL. GOLD PLATED 1/2	CuZn30	8	0-965975-4	J	8	0-929949-4	
	N/A	N/A	4.3	4.8	2.8	3.0	2.2	1.2	4.6	5.4	3.2	3.0	2.8	1.2	0.9	0.7	7.0	5.4	3.0	B	Ø3.4	0.5 - 1.0 FLR	PRETINNED min.1µm	CuZn30	8	0-965975-2	J	8	0-929949-2	
																							SEL. SILVER PLATED 3	CuZn30	8	0-965975-1	J	8	0-929949-1	
	UNSEALED / ungedichtet	2-1579001-1 WITH DIE SET: mit Matrize: 1579001-2	N/A	2.5	2.5	1.4	2.2	2.0	0.8	2.8	2.8	1.4	2.2	2.2	0.8	0.65	0.2	5.7	4.1	2.5	B	Ø1.15 - 1.6	0.2 - 0.5 FLR	PRETINNED min.1µm	CuSn4	8	0-963962-5	D	8	0-963961-5
																								SEL. GOLD PLATED 1/2	CuZn30	8	0-963962-4	D	8	0-963961-4
		539635-1 WITH DIE SET: mit Matrize: 539743-2	878416-0	3.7	3.1	(1.8)	3.0	2.2	1.2	4.1	3.9	1.8	3.0	2.8	1.2	0.65	0.2	6.2	4.6	3.0	B	Ø1.4 - 2.3	0.5 - 1.0 FLR	PRETINNED min.1µm	CuZn30	8	0-963962-3	D	8	0-963961-3
																								SEL. SILVER PLATED 3	CuZn30	8	0-963962-2	D	8	0-963961-2
		169400 WITH DIE SET: mit Matrize: 734262 - 0	878402-0	4.4	3.8	2.3	4.0	3.1	1.8	4.9	4.7	2.6	4.0	3.8	1.8	1.15	0.3	7.2	5.6	4.0	B	Ø1.8 - 2.9	1.0 - 2.5 FLR	PRETINNED min.1µm	CuSn4	8	0-928931-5	P	8	0-928930-5
																								SEL. GOLD PLATED 1/2	CuZn30	8	0-928931-4	P	8	0-928930-4
N/A		878227-0	4.8	4.2	2.4	4.0	3.1	1.9	5.3	4.8	3.1	4.0	3.8	1.9	1.15	0.4	7.2	5.6	4.0	B	Ø2.3 - 3.5 RB-Leitung	1.5 - 3 FLR	PRETINNED min.1µm	CuZn30	8	0-928931-3	P	8	0-928930-3	
																							SEL. SILVER PLATED 3	CuZn30	8	0-928931-2	P	8	0-928930-2	
N/A		N/A	3.3	3.1	(1.8)	3.0	2.2	1.2	3.65	3.6	2.0	3.0	2.8	1.2	0.65	0.3	6.2	4.6	3.0	B	Ø1.6 - 2.2 RB-Leitung	0.5 - 1.0 FLR	PRETINNED min.1µm	CuZn30	8	0-928931-1	P	8	0-928930-1	
																							SEL. SILVER PLATED 3	CuZn30	8	0-928931-1	P	8	0-928930-1	
HAND TOOL	APPLICATOR	K	H	R	G	F	D <sub>WIRE</sub>	K	H	D <sub>INSUL</sub>	G	F	D <sub>WIRE</sub>	E	D	C	B	A	B	Ø1.6 - 2.2 RB-Leitung	0.5 - 1.0 FLR	PRETINNED min.1µm	CuSn4	8	0-928794-5	R	8	0-928781-5		
																						SEL. GOLD PLATED 1/2	CuZn30	8	0-928794-4	R	8	0-928781-4		
Handzange	Anschlag-WKZ	K	H	R	G	F	D <sub>WIRE</sub>	K	H	D <sub>INSUL</sub>	G	F	D <sub>WIRE</sub>	E	D	C	B	A	B	Ø2.3 - 3.5 RB-Leitung	1.5 - 3 FLR	PRETINNED min.1µm	CuZn30	8	0-928794-3	R	8	0-928781-3		
																						SEL. SILVER PLATED 3	CuZn30	8	0-928794-2	R	8	0-928781-2		
Handzange	Anschlag-WKZ	K	H	R	G	F	D <sub>WIRE</sub>	K	H	D <sub>INSUL</sub>	G	F	D <sub>WIRE</sub>	E	D	C	B	A	B	Ø2.3 - 3.5 RB-Leitung	1.5 - 3 FLR	PRETINNED min.1µm	CuZn30	8	0-928924-5	R	8	0-927893-5		
																						SEL. SILVER PLATED 3	CuZn30	8	0-928924-4	R	8	0-927893-4		
Handzange	Anschlag-WKZ	K	H	R	G	F	D <sub>WIRE</sub>	K	H	D <sub>INSUL</sub>	G	F	D <sub>WIRE</sub>	E	D	C	B	A	B	Ø2.3 - 3.5 RB-Leitung	1.5 - 3 FLR	PRETINNED min.1µm	CuSn4	8	0-928924-3	R	8	0-927893-3		
																						SEL. GOLD PLATED 1/2	CuSn4	8	0-928924-2	R	8	0-927893-2		
Handzange	Anschlag-WKZ	K	H	R	G	F	D <sub>WIRE</sub>	K	H	D <sub>INSUL</sub>	G	F	D <sub>WIRE</sub>	E	D	C	B	A	B	Ø2.3 - 3.5 RB-Leitung	1.5 - 3 FLR	PRETINNED min.1µm	CuZn30	8	0-928924-1	R	8	0-927893-1		
																						SEL. SILVER PLATED 3	CuZn30	8	0-928924-1	R	8	0-927893-1		
Handzange	Anschlag-WKZ	K	H	R	G	F	D <sub>WIRE</sub>	K	H	D <sub>INSUL</sub>	G	F	D <sub>WIRE</sub>	E	D	C	B	A	B	Ø1.6 - 2.2 RB-Leitung	0.5 - 1.0 FLR	PRETINNED min.1µm	CuSn4	8	0-928923-5	S	8	0-927892-5		
																						SEL. SILVER PLATED 3	CuSn4	8	0-928923-4	S	8	0-927892-4		
Handzange	Anschlag-WKZ	K	H	R	G	F	D <sub>WIRE</sub>	K	H	D <sub>INSUL</sub>	G	F	D <sub>WIRE</sub>	E	D	C	B	A	B	Ø1.6 - 2.2 RB-Leitung	0.5 - 1.0 FLR	PRETINNED min.1µm	CuZn30	8	0-928923-3	S	8	0-927892-3		
																						SEL. GOLD PLATED 1/2	CuSn4	8	0-928923-2	S	8	0-927892-2		
Handzange	Anschlag-WKZ	K	H	R	G	F	D <sub>WIRE</sub>	K	H	D <sub>INSUL</sub>	G	F	D <sub>WIRE</sub>	E	D	C	B	A	B	Ø1.6 - 2.2 RB-Leitung	0.5 - 1.0 FLR	PRETINNED min.1µm	CuZn30	8	0-928923-1	S	8	0-927892-1		
																						SEL. SILVER PLATED 3	CuZn30	8	0-928923-1	S	8	0-927892-1		

NOTES:  
Bemerkungen

- 1 CONTACT AREA min.0.75 µm Au OVER min.1.25 µm Ni  
Kontaktbereich min.0.75 µm Au über min.1.25 µm Ni
- 2 CRIMP AREA 1-2 µm Sn OVER min.0.05 µm Ni  
Crimpbereich 1-2 µm Sn über min.0.05 µm Ni
- 3 Min.3 µm Ag IN LOCALIZED AREA. FLASH Ag ON REMAINDER,  
BOTH OVER min.1.25 µm Ni  
Min.3 µm Ag im lokalisierte Bereich, Rest flashversilbert, beide über min.1.25 µm Ni
- 4 ALL VERSIONS SPLICE FREE EXCEPT OF 5  
Alle Versionen Splice-free außer 5
- 5 SPLICE ACCORDING TO TYCO-SPEC. 118-10107 SPLICE ADDITIONAL MARK  
WITH RED SPLICE-STICKER ON THE INTERLEAVING PAPER AND ON THE REEL  
Splice nach Tyco-Spec. 118-10107 zusätzlich Splice mit rotem Splice-Aufkleber  
auf dem Zwischenlagenpapier und auf dem Reel kennzeichnen
- 6 TO BE MEASURED BY DIMENSION 2 mm  
Bei Ausstellung 2 mm
- 7 REELING TYPE
- 8 OBSOLETE
- 9 NUMBER OF SERRATIONS: 4    10 NUMBER OF SERRATIONS: 2



THIS DRAWING IS A CONTROLLED DOCUMENT.		OWN TT_Konecny	21AUG2006	TE Connectivity
DIMENSIONS: mm		CHK P.Hasek	60CT2006	
TOLERANCES UNLESS OTHERWISE SPECIFIED: ISO 2768-H E		APVD R.Vlcek	90CT2006	NAME PRODUCT GROUP DRAWING FOR 2.8 mm FASTIN-FASTON® TAB
0 PLC ±0.2 1 PLC ±0.2 2 PLC ±0.2 3 PLC ±0.2 4 PLC ±0.2 ANGLES ±1.5°		PRODUCT SPEC 108-18299 APPLICATION SPEC 116-18014	RESTRICTED TO	
MATERIAL see table siehe Tabelle	FINISH see table siehe Tabelle	WEIGHT -	CUSTOMER DRAWING	SCALE 5:1 SHEET 1 OF 1 REV. A8

## X-ON Electronics

Largest Supplier of Electrical and Electronic Components

*Click to view similar products for [Terminals](#) category:*

*Click to view products by [TE Connectivity](#) manufacturer:*

Other Similar products are found below :

[00-054007-01074-6](#) [00-054007-70206-1](#) [00-054007-70210-8](#) [00-054007-70217-7](#) [00-054007-70226-9](#) [00-054007-70228-3](#) [00-054007-70248-1](#) [00-054007-70256-6](#) [00-054007-70301-3](#) [00-054007-70316-7](#) [0-0320562-0](#) [00-054007-49560-4](#) [00-054007-70209-2](#) [00-054007-70225-2](#) [00-054007-70227-6](#) [00-054007-70231-3](#) [00-054007-70241-2](#) [00-054007-70242-9](#) [00-054007-70244-3](#) [00-054007-70246-7](#) [00-054007-70263-4](#) [00-054007-70288-7](#) [00-054007-70290-0](#) [00-054007-70300-6](#) [00-054007-70304-4](#) [01-2065-1-0216](#) [01-2900-1-04412](#) [00581P0075](#) [600TS-10](#) [60205-1](#) [604200-1](#) [605601-1](#) [60598-1-CUT-TAPE](#) [61314-6-C](#) [61810-3](#) [61-S](#) [61-SN](#) [626-0194](#) [62-NBM-A](#) [62-SN](#) [62-SP](#) [63-S](#) [640179-1](#) [M55155/059I03](#) [M55155/079C01](#) [M55155/099H02](#) [M55155/109H01](#) [M55155/109H02](#) [M55155/12XH05](#) [M55155/16XH02](#)