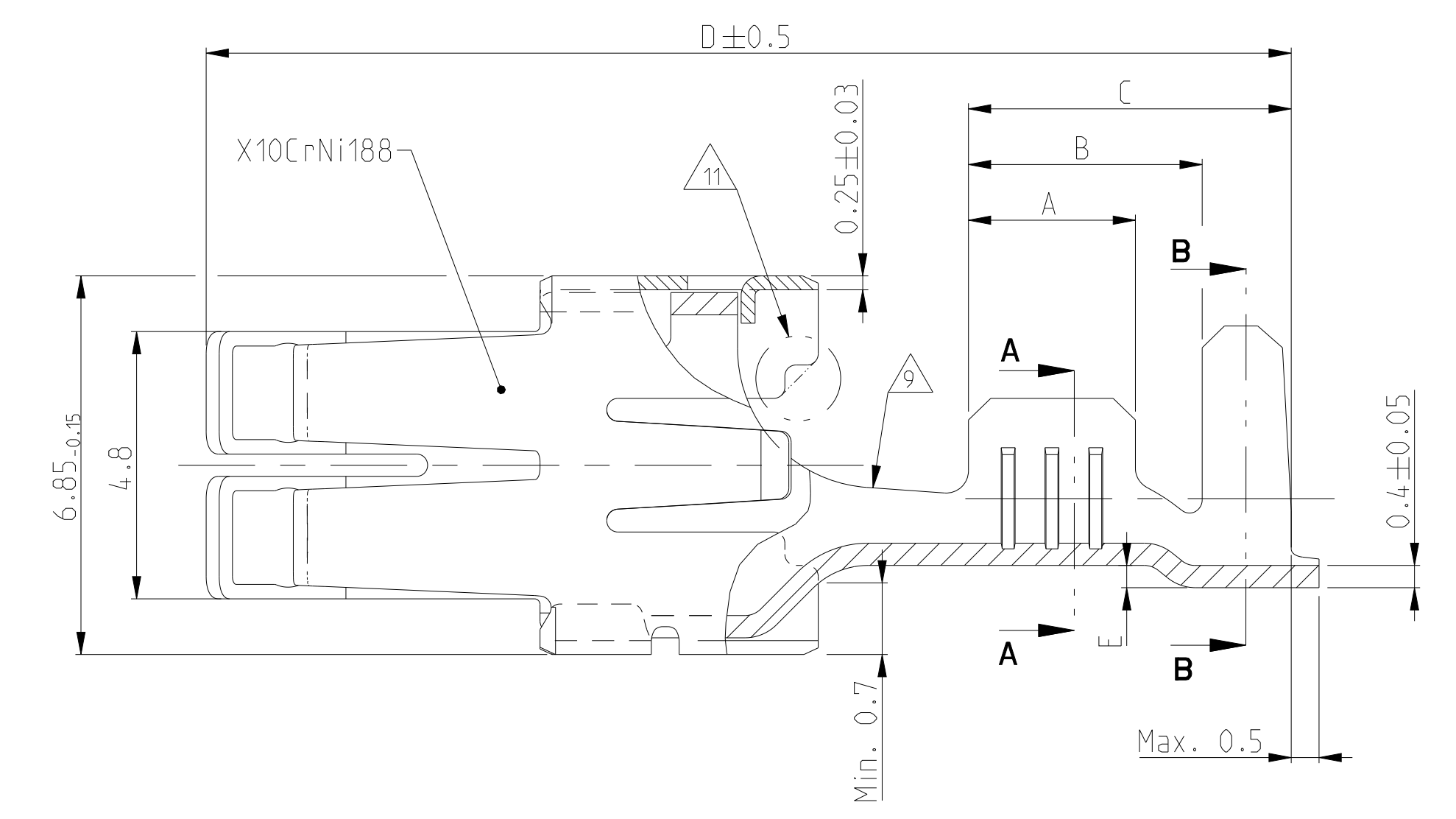
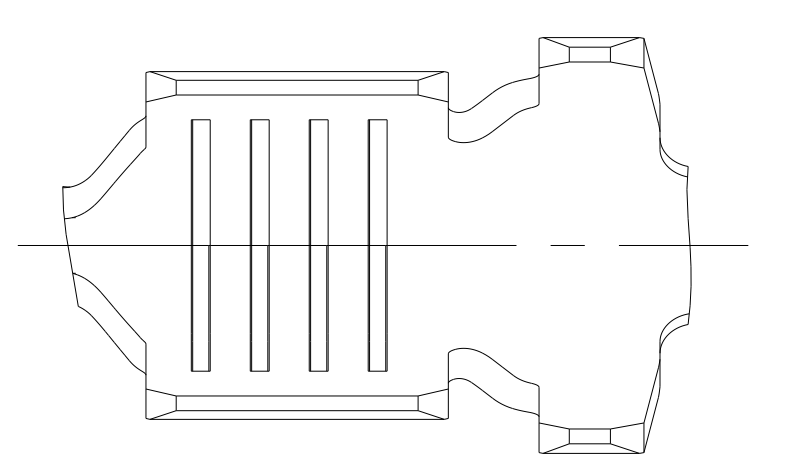


REV	DATE	APPD
B10	20FEB2021	JJM JCB
B11	19MAY2021	JJM JCB
B12	27MAY2021	JJM JCB
B13	08SEP2021	KMD JCB

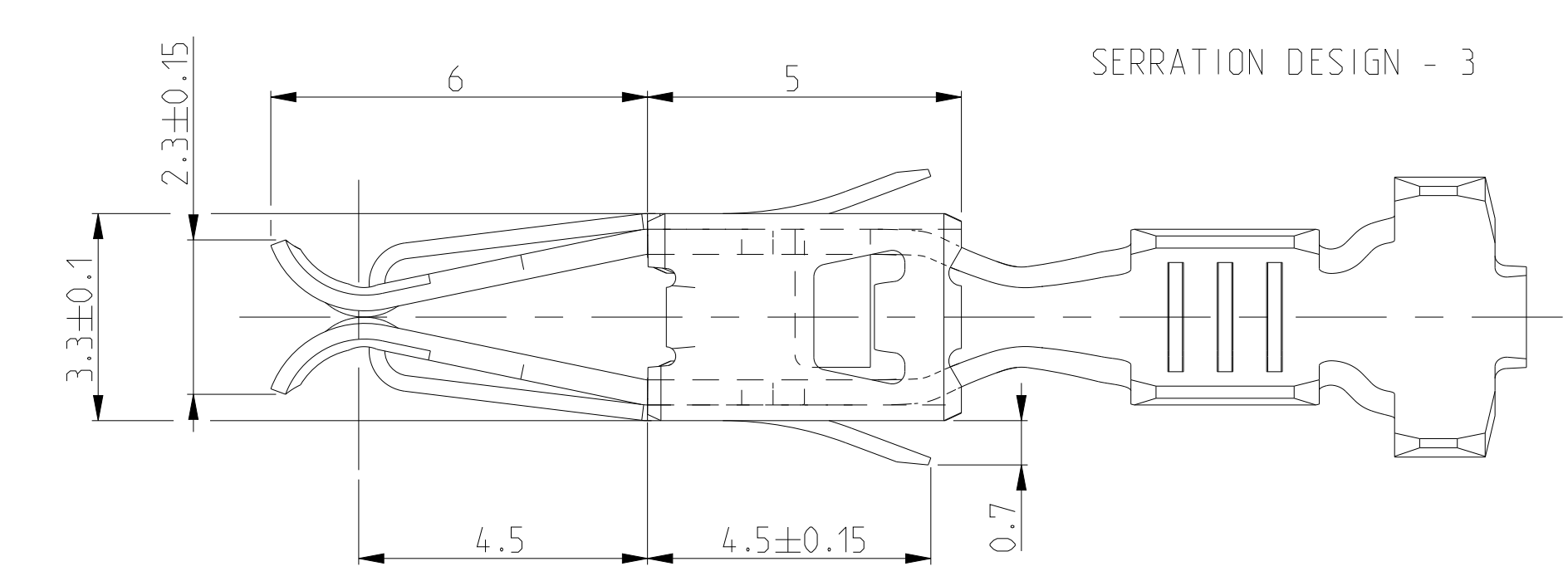
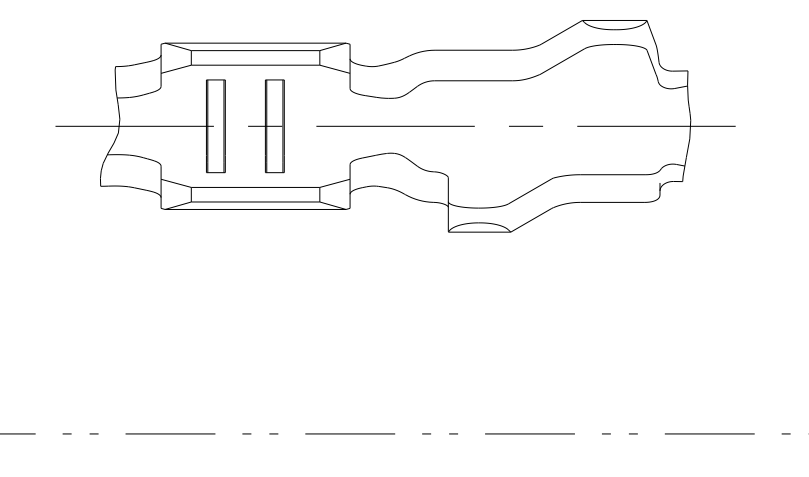
### VERSION A (UNSEALED / ungedichtet)



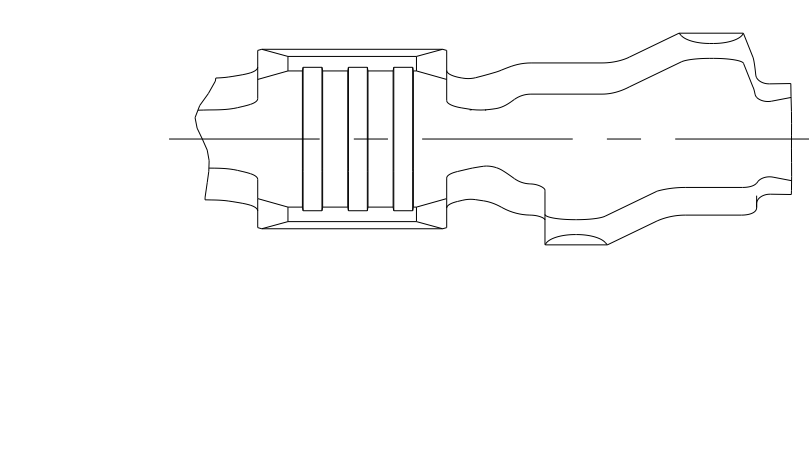
SERRATION DESIGN - 1



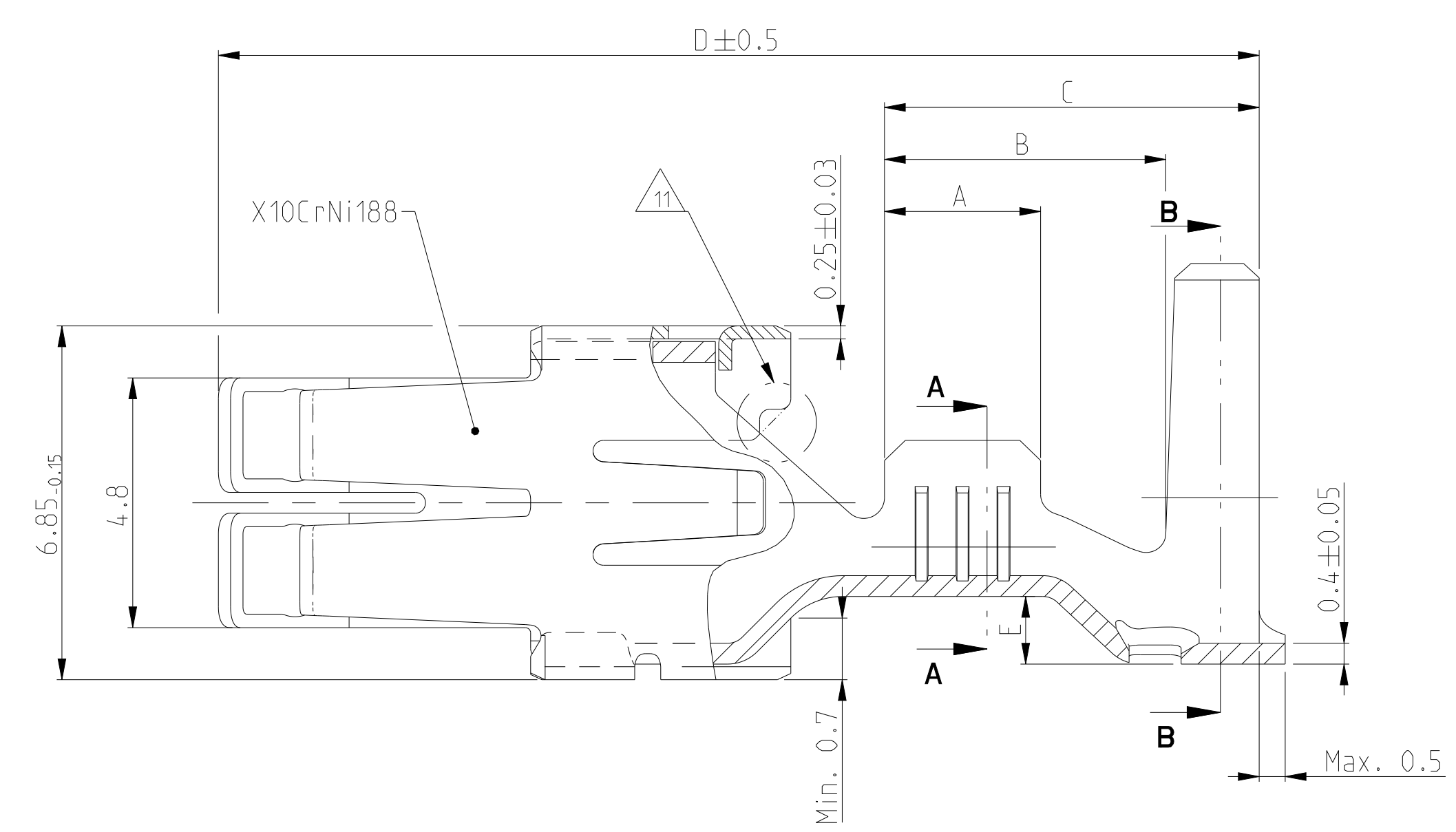
SERRATION DESIGN - 2



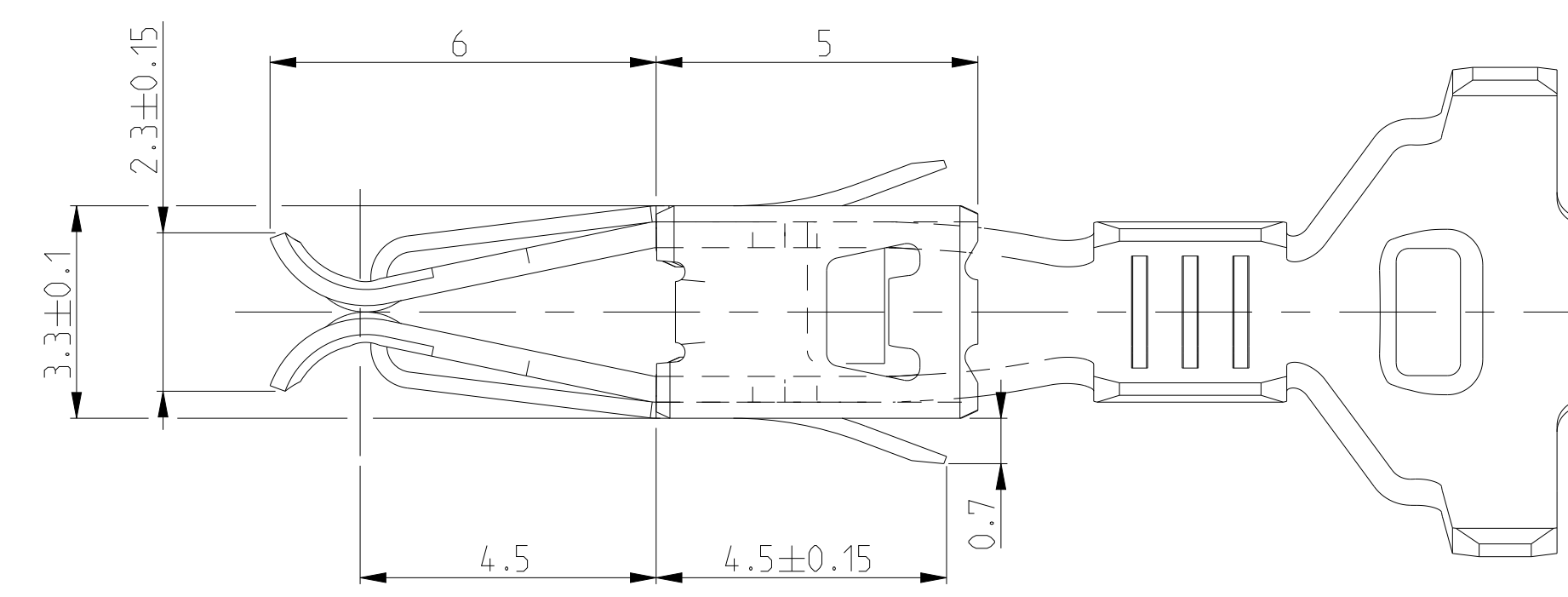
SERRATION DESIGN - 4



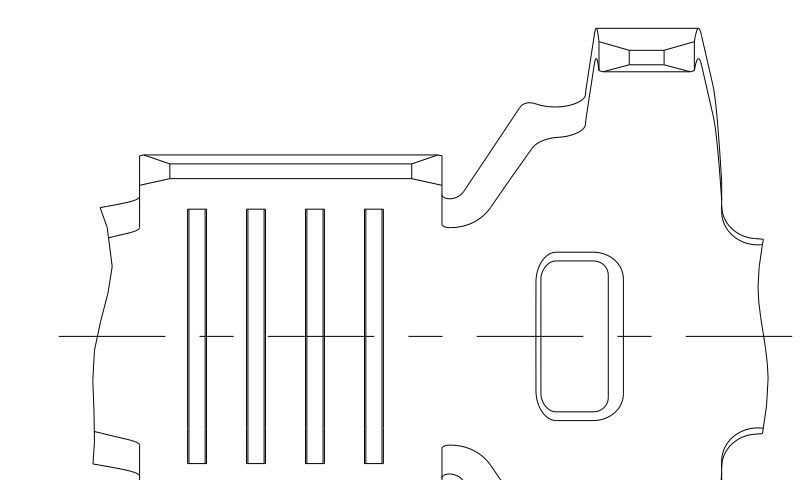
### VERSION B (SINGLE WIRE SEAL / Einzel-Dichtungs-System)



SERRATION DESIGN - 3



SERRATION DESIGN - 1

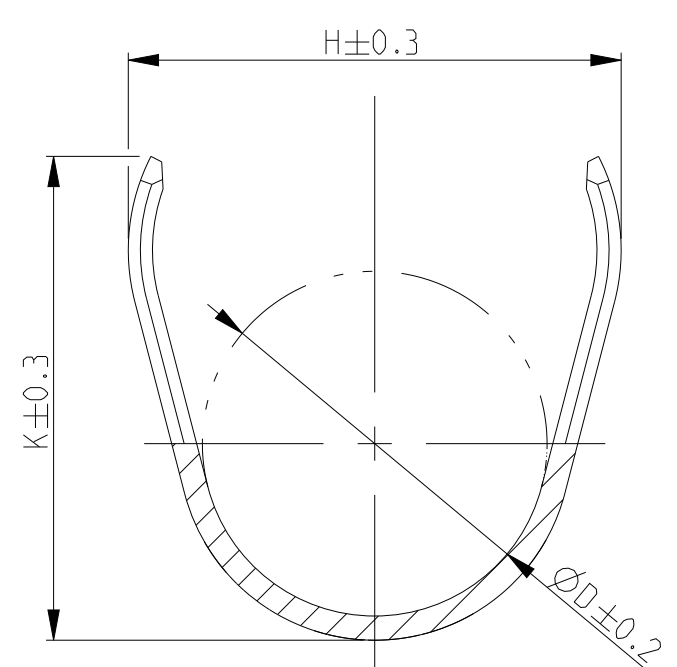


REV	DATE	APPD	TE CONNECTIVITY ORDER - NO	TE CONNECTIVITY ORDER - NO	TE CONNECTIVITY ORDER - NO	TE CONNECTIVITY ORDER - NO	TE CONNECTIVITY ORDER - NO	MATERIAL	SURFACE	CRIMP DIMENSIONS (mm)	EXTRACTION TOOL	HAND TOOL	TE CONNECTIVITY ORDER - NO.
-	-	-	-	-	-	-	-	CuFe2	PRESILVERED vorversilbert	0.35 - 0.5 FLR E = 2.37 G = 2.45 D <sub>w</sub> = 0.8	MQC - Applicator 2837770-2	-	2.5 3.8 6.6 19.5 0.3
-	-	-	-	-	-	-	-	-	-	0.35 - 0.5 FLU E = 2.2 G = 2.2 D <sub>w</sub> = 0.8	MQC - Applicator 878426-2	539635-1 WITH DIE: mit Matrize 539744-2	2.5 3.8 6.6 19.5 0.3
-	-	-	-	-	-	-	-	-	-	0.2 - 0.5 FLK E = 2.8 G = 3.0 D <sub>w</sub> = 1.1	MQC - Applicator 2-541689-2	539733-2 WITH DIE: mit Matrize 736249-0	3 4.2 5.8 19.5 0.4
-	-	-	-	-	-	-	-	-	-	>1.0 - 2.5 FLK E = 3.8 G = 4.1 D <sub>w</sub> = 1.6	MQC - Applicator 878367-2	539635-1 WITH DIE: mit Matrize 539733-2	3.5 4.7 6.3 19.5 0.4
927824-2	C	-	-	-	-	-	-	CuSn4	PRETINNED vorverzinkt	>2.5 - 4.0 FLK E = 4.6 G = 4.8 D <sub>w</sub> = 2.4	MQC - Applicator 2-878314-2	539635-1 WITH DIE: mit Matrize 539734-2	4 5.2 6.8 19.5 0.6
927824-1	C	-	-	-	-	-	-	CuFe2	PRETINNED vorverzinkt	4.0 - 6.0 FLK E = 5.2 G = 5.5 D <sub>w</sub> = 2.9	MQC - Applicator 2-878738-2	-	4.2 5.6 7.7 20 0.6
927829-5	C	-	-	-	-	-	-	CuFe2	PRESILVERED vorversilbert	0.2 - 0.5 FLR E = 2.2 G = 2.2 D <sub>w</sub> = 0.8	MQC - Applicator 878427-2	-	2.5 3.8 6.6 19.5 0.3
927829-1	C	-	-	-	-	-	-	CuFe2	PRESILVERED vorversilbert	0.5 - 1.0 FLR E = 2.8 G = 3.0 D <sub>w</sub> = 1.1	MQC - Applicator 878328-2	169400-0 WITH DIE: mit Matrize 734781-1	3 4.2 5.8 19.5 0.4
927829-2	C	-	-	-	-	-	-	CuFe2	PRESILVERED vorversilbert	>1.0 - 2.5 FLR E = 3.8 G = 4.1 D <sub>w</sub> = 1.6	MQC - Applicator 878356-2	169400-0 WITH DIE: mit Matrize 734251-0	3.5 4.7 6.3 19.5 0.4
927829-3	C	-	-	-	-	-	-	CuSn4	PRESILVERED vorversilbert	>2.5 - 4.0 FLR E = 4.6 G = 4.8 D <sub>w</sub> = 2.4	MQC - Applicator 2-878384-2	169400-0 WITH DIE: mit Matrize 734251-0	4 5.2 6.8 19.5 0.6

REV	DATE	APPD	TE CONNECTIVITY ORDER - NO	TE CONNECTIVITY ORDER - NO	TE CONNECTIVITY ORDER - NO	TE CONNECTIVITY ORDER - NO	TE CONNECTIVITY ORDER - NO	MATERIAL	SURFACE	CRIMP DIMENSIONS (mm)	EXTRACTION TOOL	HAND TOOL	TE CONNECTIVITY ORDER - NO.
-	-	-	-	-	-	-	-	CuSn4	-	0.5 - 1.0 FLR E = 2.8 G = 3.0 D <sub>w</sub> = 1.1	MQC - Applicator 878337-2	539635-1 WITH DIE: mit Matrize 739736-2	3 5.4 7.2 20 1.25 963243-1 100132-1
-	-	-	-	-	-	-	-	CuFe2	PRESILVERED vorversilbert	>1.0 - 2.5 FLR E = 3.8 G = 4.1 D <sub>w</sub> = 1.6	MQC - Applicator 878338-2	539635-1 WITH DIE: mit Matrize	3.5 5.9 7.7 20 1.25 963244-1 100132-1
-	-	-	-	-	-	-	-	CuSn4	PRESILVERED vorversilbert	>2.5 - 4.0 FLR E = 4.6 G = 4.8 D <sub>w</sub> = 2.4	MQC - Applicator 878441-2	539635-1 WITH DIE: mit Matrize	4 5.9 7.7 20 1.25 963245-1 100132-1
-	-	-	-	-	-	-	-	CuFe2	PRESILVERED vorversilbert	>3.0 - 5.0 FLR E = 4.8 G = 5.2 D <sub>w</sub> = 2.5	MQC - Applicator -	WITH DIE: mit Matrize	4 5.9 7.7 20 1.25 967011-1 100132-1

- CONTACT ZONE SELECTIVE PRE SILVER PLATED MIN 3-4.5µm Kontaktzone selektiv vorversilbert min. 3-4.5µm
- CONTACT ZONE SELECTIVE PRE SILVER PLATED MIN 1-1.5µm Kontaktzone selektiv vorversilbert min. 1-1.5µm
- CONTACT BODY: ELECTRO TIN PLATED OVER NICKEL CONTACT AREA: GOLD PLATED Kontaktkoerper: gal. verzinkt ueber Nickel Kontaktzone: vergoldet
- CONTACT BODY: ELECTRO TIN PLATED OVER NICKEL CONTACT AREA: SELECTIVE NICKEL PLATED 2-4µm Kontaktkoerper: gal. verzinkt ueber Nickel Kontaktzone: selektiv vernickelt 2-4µm
- CONTACT BODY: ELECTRO TIN PLATED OVER NICKEL TOUCHING AREA TO CANTILEVER SPRING: SELECTIVE AU PLATED OVER NICKEL CANTILEVER SPRING: COMPLETELY AU PLATED Kontaktkoerper: gal. verzinkt ueber Nickel Anlageflaeche zur Ueberfeder selektiv Au ueber Ni beschichtet Ueberfeder: komplett Au beschichtet
- PRE-FORM ISO-AREA ONLY FOR PN: 1241962-1 Isoflanken vorgeformt nur bei PN:1241962-1

- WRAP CRIMP ONLY FOR PN: 927839,927840,928989 AND 928990 Umfassungscrimp nur bei PN: 927839,927840,928989 und 928990
- TRANSITION ONLY FOR PN 927827,927828,927829, 927830,927833,927834,927837 AND 927838 Uebergang nur fuer PN 927827,927828,927829, 927830,927833,927834,927837 und 927838
- 1-3µm Sn28M LAYER FOR HIGHER TEMPERATURE REQUIREMENTS 1-3µm Sn28M Schicht fuer hoehere Temperaturanforderungen
- DOTTED LINE IS ALTERNATIVE SHAPE Gestrichelte Linie alternative Form
- OBsolete
- SEE APPLICATION SPEC. FOR PREFERRED STANDARD TO MEET NEW REQUIREMENT LV214-2 SLOW MOTION BENDING TEST Siehe Verarbeitungs Spezifikation fuer bevorzugten Standard um den neuen Anforderungen der LV214-2 Slow Motion Pruefung zu genuegen



THIS DRAWING IS A CONTROLLED DOCUMENT. DIMENSIONING AND TOLERANCING PER ISO STANDARDS.

DATE: 20210111

REV: 1

TE CONNECTIVITY

STANDARD POWER TIMER CONTACT

Standard Power Timer Kontakt

SCALE: 10:1

SHEET: 1 OF 1

## X-ON Electronics

Largest Supplier of Electrical and Electronic Components

*Click to view similar products for [Automotive Connectors](#) category:*

*Click to view products by [TE Connectivity](#) manufacturer:*

Other Similar products are found below :

[003-018-000](#) [60403001](#) [60993906-B](#) [M902-2131](#) [M902-2161](#) [M902-2344](#) [72.330.1035.1](#) [73.353.4028.0](#) [F119300-B](#) [F166900](#) [F258300-B](#)  
[F358300-B](#) [F407400](#) [F444110](#) [F487000](#) [F509500B-B](#) [827153-1](#) [8N1515-32-24P](#) [9-1326729-8](#) [925474-1](#) [928905-1](#) [964562-4](#) [968782-1](#)  
[GT17SA-8DS-HU](#) [98891-1012](#) [98947-1016](#) [12004147](#) [12004475-L](#) [12010290](#) [12010309-B](#) [12015454](#) [12020219-B](#) [12041318-B](#) [12052225-](#)  
[L](#) [12052466](#) [12064869](#) [12004327-B](#) [12015308](#) [12015384](#) [12015909](#) [1-21030-1](#) [12041254](#) [12041318](#) [12047946-B](#) [12047957](#) [12047957-L](#)  
[12059473](#) [12066261](#) [12110546](#) [12110546-B](#)