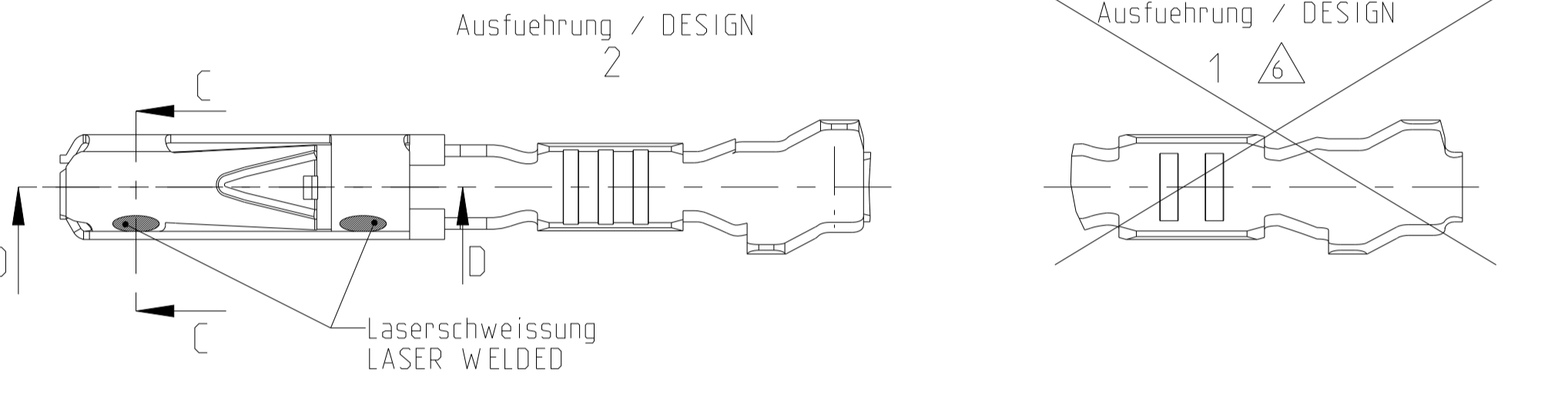
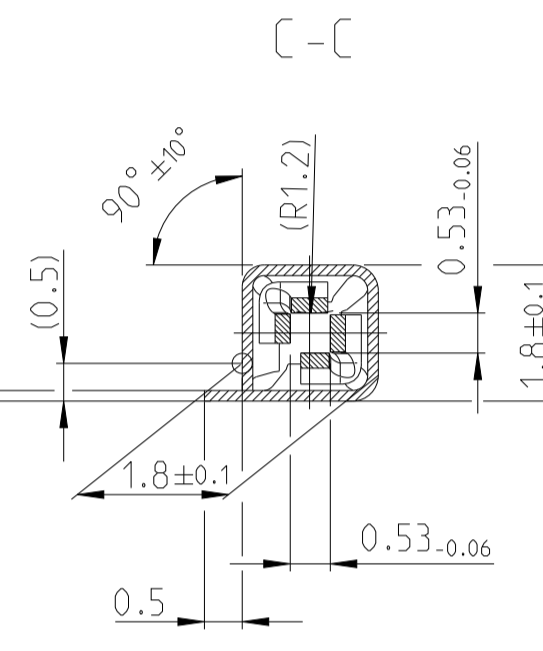
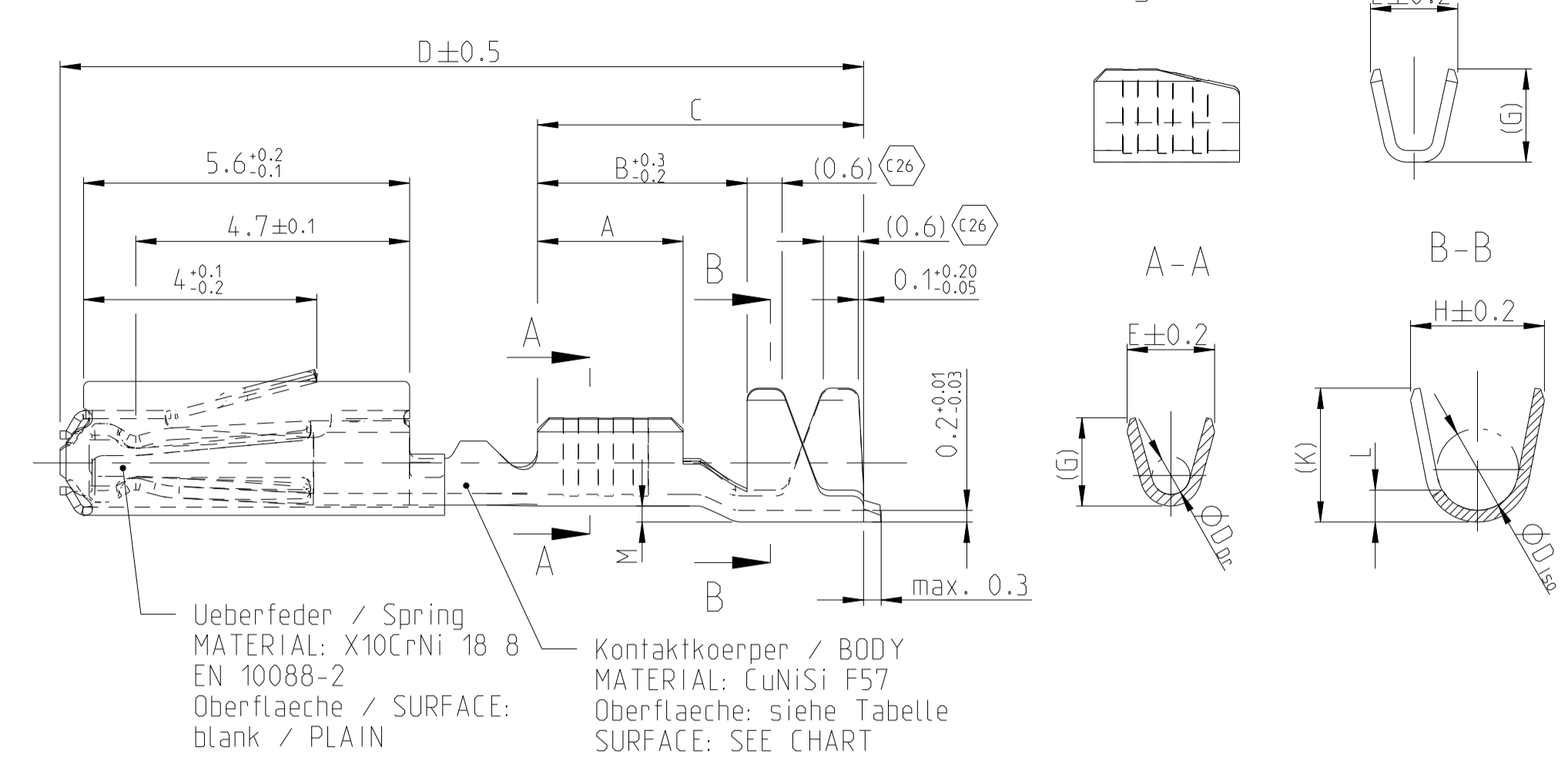
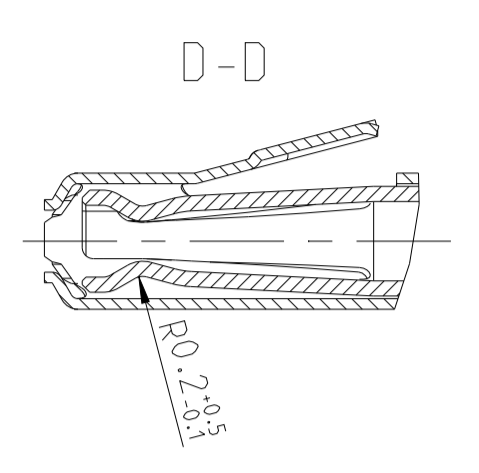
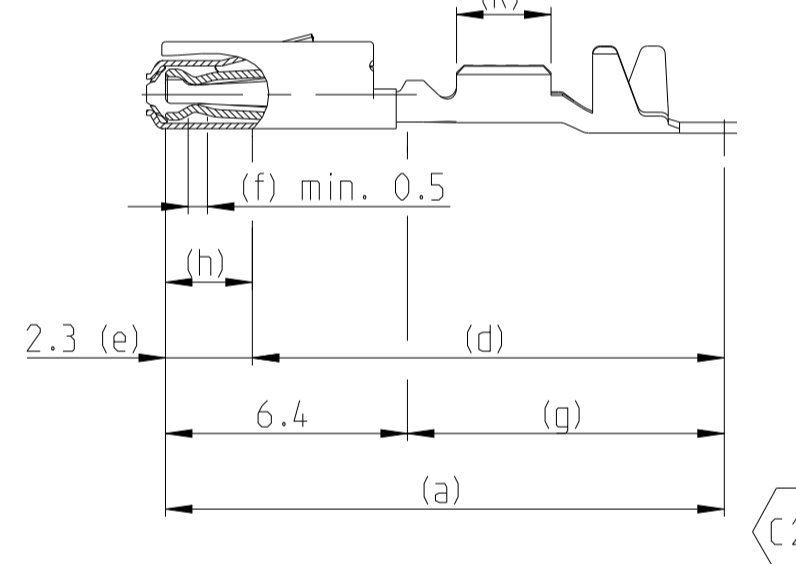


Normale Anwendung USUAL APPLICATION



Oberflaeche / FINISH

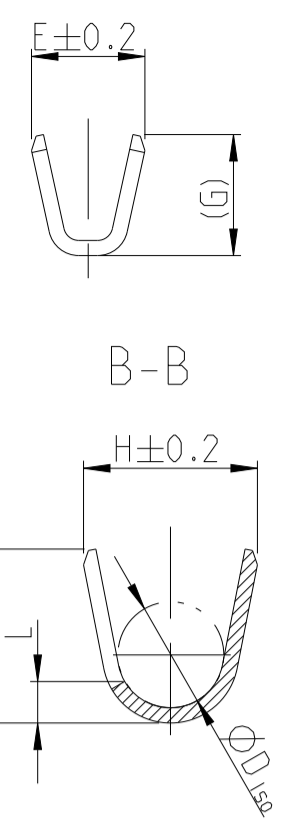


Sn: verzinnete Ausfuehrung
 TINNED
 (a) Kontaktkoerper: 0.8 - 2 µm Sn
 BODY: 0.8 - 2 µm Sn

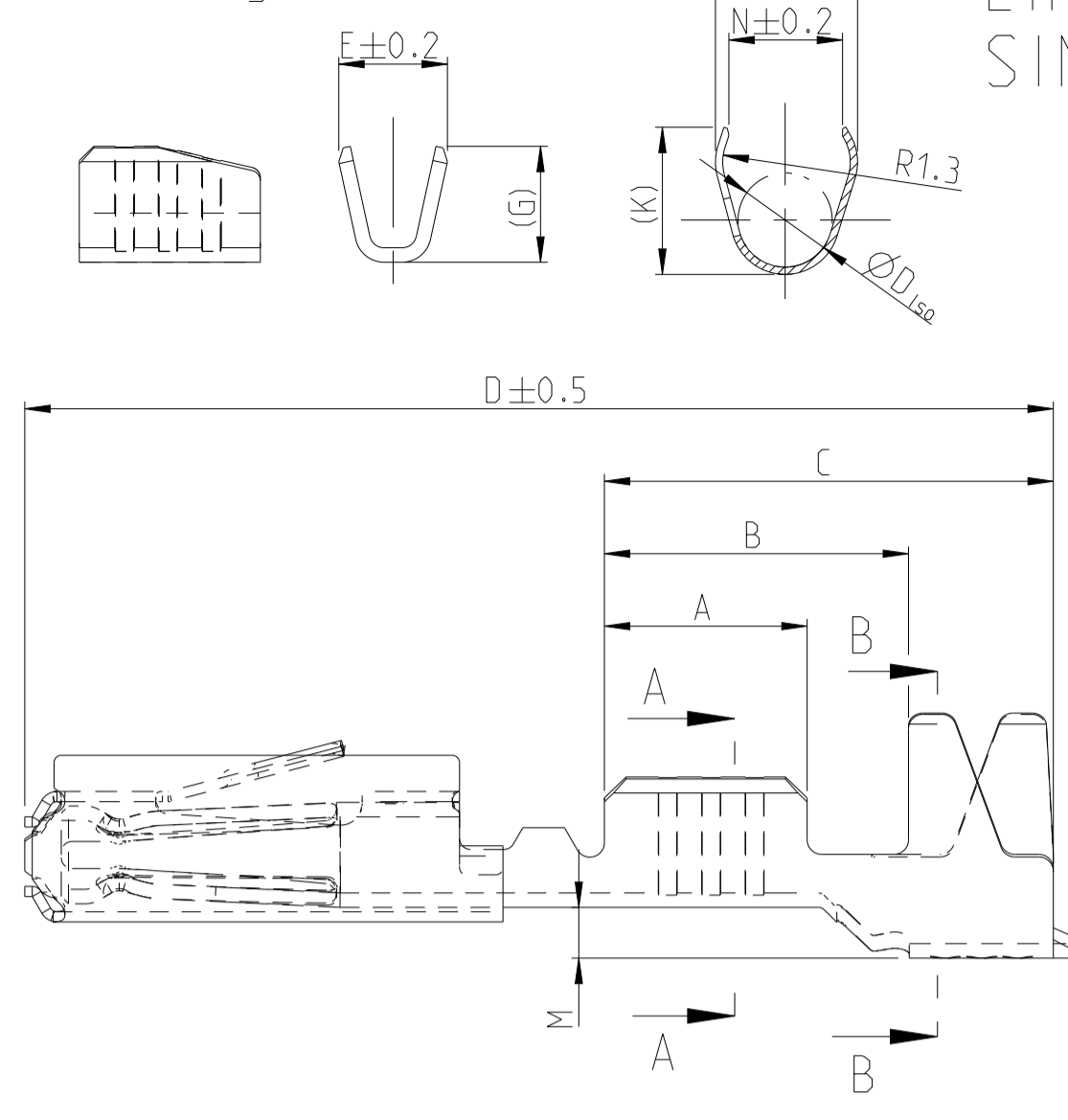
Ag: versilbert
 SILVER
 (e) min. 0.3 µm Ag
 (f) min. 2.8 µm Ag INSIDE
 min. 2.8 µm Ag innen
 (g) min. 0.2 µm Sn
 (k) min. 0.8 - 2 µm Sn

Au (galvanisch): galvanisch vergoldet
 GOLD-ELECTROPLATED
 (d) 0.05-1 µm Ni, beidseitig
 0.05-1 µm Ni, ON BOTH SIDES
 (e) 1-3 µm Ni, beidseitig
 1-3 µm Ni, ON BOTH SIDES
 (f) min. 1.8 µm Au ueber (e), innen
 MIN. 1.8 µm Au OVER (e), INSIDE
 (g) min. 0.2 µm Sn ueber (d), beidseitig
 MIN. 0.2 µm Sn OVER (d), ON BOTH SIDES
 (h) Au galvanisch auslaufend
 Au OVERPLATING
 (k) min. 0.8 - 2.0 µm Sn

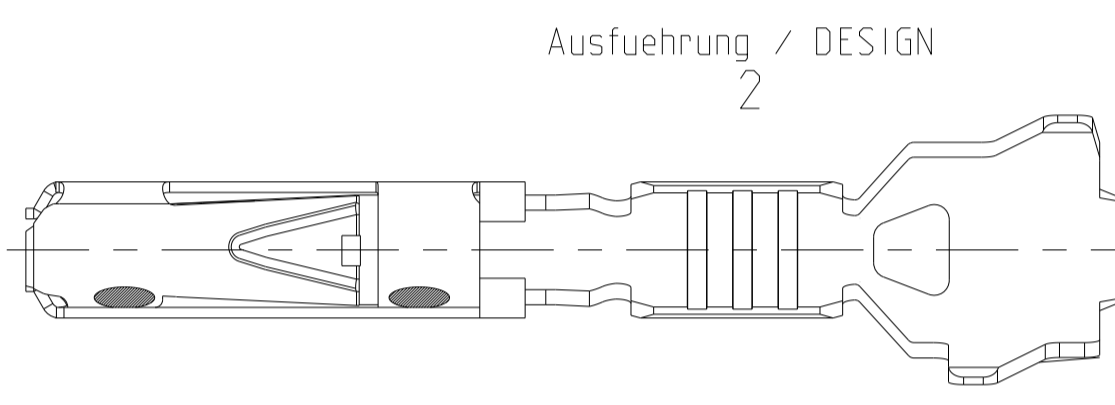
Ausfuehrung / DESIGN 3



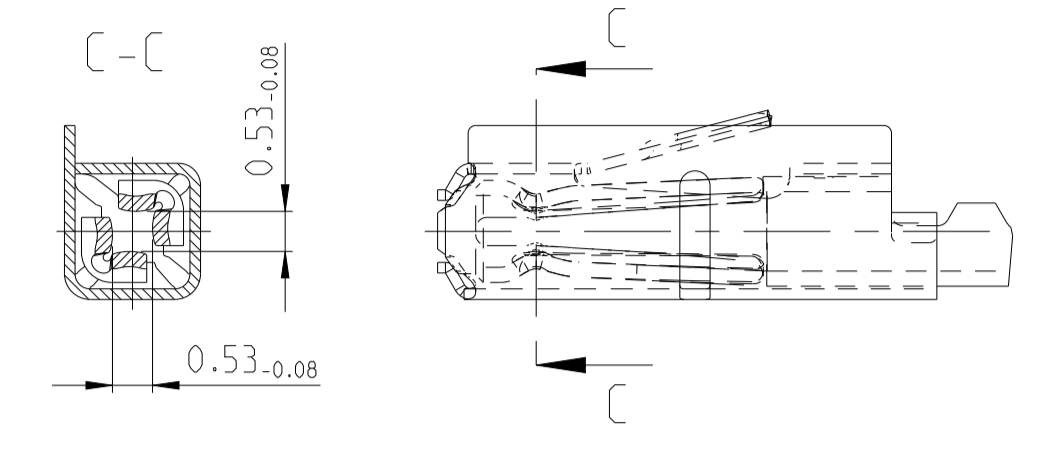
Ausfuehrung / DESIGN 3



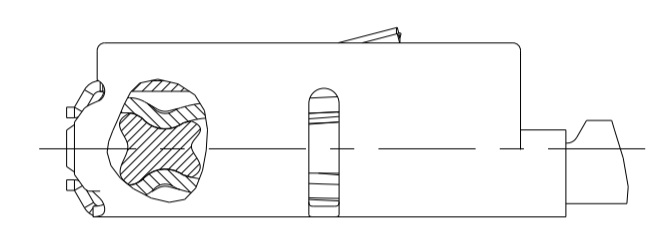
Einzeldichtungssystem SINGLE WIRE SEAL SYSTEM



versilberte/vergoldete Ausfuehrung SILVER/GOLD VERSION

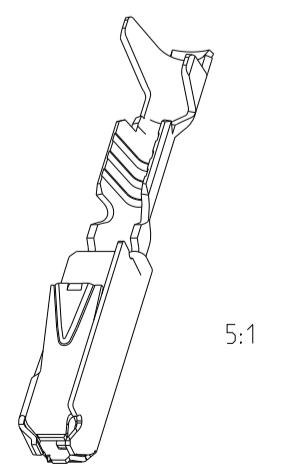
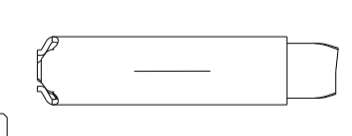
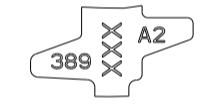


GEL VERSION



REV	DATE	BY	CHKD	DESCRIPTION
C23	30APR2019	FRAN	BERG	Definition of measurement point f. contact height
C24	09DEC2019	MAH.	BERG	See PCN E-19-011079
C25	28AUG2020	MAH.	BERG	See PCN E-20-001102
C26	20AUG2021	FRAN	BERG	See PCN E-20-016678 and PCN-21-110979

- Bemerkungen
- 1 Datumcode (Woche/Jahr z.B. KW 38/Jahr2009) und TE-Revision (z.B. Rev.A) DATE CODE (WEEK/YEAR E.G. WEEK NUMBER 38/YEAR2009) AND TE REVISION (E.G. REV. A)
 - 2 Passend zu Stiftkontakt siehe Zeichnung 929453 SUITABLE FOR PIN CONTACT SEE DRAWING 929453
 - 3 Einzelheiten der Ausfuehrung bleiben dem Hersteller ueberlassen DETAILS OF DESIGN ARE LEFT TO MANUFACTURER
 - 4 Nur fuer FLR-Leitung nach DIN 72551 Teil 6 FOR FLR-CONDUCTOR ACCORDING TO DIN 72551-6 ONLY
 - 5 -
 - 6 nicht fuer Neuanwendung NOT FOR NEW APPLICATION
 - 7 zugverstaerkte Leitung nach LV 112-4 REINFORCED WIRE ACCORDING LV 112-4
 - 8 Bei doppelt fallenden Werkzeugen wird die erste Ueberfeder mit einer Kennzeichnung "-" versehen WITH DOUBLE OUT DIES THE FIRST SPRING WILL BE PROVIDED WITH AN INDICATION "-"
 - 9 Varianten von Design1 werden durch die entsprechenden Versionen von Design2 ersetzt VARIANTS OF DESIGN1 ARE SUPERSEDED BY CORRESPONDING VERSIONS OF DESIGN2



Part No.	Rev.	Material	Finish	Length	Wire Size	Surface	Weight	Application
6-965906-5	E	Au-Gel		A = 2.8, B = 4.2, C = 6.2, D = 14.3, M = 0.7	0.50-0.75		0.13	114-18025
5-965906-6	D	Ag		A = 2.5, B = 3.9, C = 5.9, D = 14, M = 0.7	0.25-0.35		0.13	114-18025
5-965906-5	E	Au		A = 2.5, B = 4.3, C = 6.2, D = 14.2, M = 0.6	0.13 / 0.17		0.1	114-18025
5-965906-1	D	Sn		A = 2.5, B = 4.3, C = 6.2, D = 14.2, M = 0.6	0.13 / 0.17		0.1	114-18025
5-962885-6	J	Ag		A = 2.5, B = 3.6, C = 5.6, D = 13.7, M = 0.2	0.50-0.75		0.11	114-18021
5-962885-5	K	Au		A = 2.5, B = 3.6, C = 5.6, D = 13.7, M = 0.2	0.25-0.35		0.11	114-18021
5-962885-1	J	Sn		A = 2.5, B = 3.7, C = 5.4, D = 13.7, M = 0	0.13 / 0.17		0.1	114-18021
214-1826-6	A	Ag		A = 2.5, B = 3.7, C = 5.4, D = 13.7, M = 0	0.08-0.22		0.1	114-18021
214-1826-5	A	Au		A = 2.5, B = 3.7, C = 5.4, D = 13.7, M = 0	0.08-0.22		0.1	114-18021
214-1826-1	A	Sn		A = 2.5, B = 3.7, C = 5.4, D = 13.7, M = 0	0.08-0.22		0.1	114-18021
6-963715-5	K	Au-Gel		A = 2.8, B = 4.2, C = 6.2, D = 14.3, M = 0.7	0.50-0.75		0.11	114-18025
5-963715-6	J	Ag		A = 2.5, B = 3.6, C = 5.6, D = 13.7, M = 0.2	0.25-0.35		0.11	114-18021
5-963715-5	K	Au		A = 2.5, B = 3.6, C = 5.6, D = 13.7, M = 0.2	0.50-0.75		0.11	114-18025
5-963715-1	J	Sn		A = 2.5, B = 3.6, C = 5.6, D = 13.7, M = 0.2	0.25-0.35		0.11	114-18021
6-928999-5	T	Au-Gel		A = 2.8, B = 4.2, C = 6.2, D = 14.3, M = 0.7	0.50-0.75		0.11	114-18025
5-928999-6	S	Ag		A = 2.5, B = 3.6, C = 5.6, D = 13.7, M = 0.2	0.25-0.35		0.11	114-18021
5-928999-5	T	Au		A = 2.5, B = 3.6, C = 5.6, D = 13.7, M = 0.2	0.50-0.75		0.11	114-18025
5-928999-1	S	Sn		A = 2.5, B = 3.6, C = 5.6, D = 13.7, M = 0.2	0.25-0.35		0.11	114-18021
214-1824-6	A	Ag		A = 2.5, B = 3.6, C = 5.6, D = 13.7, M = 0.2	0.50-0.75		0.11	114-18025
214-1824-5	A	Au		A = 2.5, B = 3.6, C = 5.6, D = 13.7, M = 0.2	0.25-0.35		0.11	114-18021
214-1824-1	A	Sn		A = 2.5, B = 3.6, C = 5.6, D = 13.7, M = 0.2	0.50-0.75		0.11	114-18025
1355717-6	A	Ag		A = 2.5, B = 3.6, C = 5.6, D = 13.7, M = 0.2	0.25-0.35		0.11	114-18021
1355717-5	C	Au		A = 2.5, B = 3.6, C = 5.6, D = 13.7, M = 0.2	0.50-0.75		0.11	114-18025
1355717-1	C	Sn		A = 2.5, B = 3.6, C = 5.6, D = 13.7, M = 0.2	0.25-0.35		0.11	114-18021

Bestell-Nr. ORDER NO.	Bestell-Nr. ORDER NO.	Rev.	Rev.	VERSION	DGB Wire Size Range mm ²	Oberflaeche SURFACE	Laenge LENGTH mm	Drahtcrimp WIRE CRIMP mm	Iso-crimp INSU-CRIMP mm	Gewicht WEIGHT g	Vergaerung Spec. APPLICATION SPEC.	DGB Wire Size Range mm ²	Isolations Ø INSULATIN DIA. mm	fuer Kammer Ø3.45 FOR CAVITY DIA. 3.45 mm	Blindstopfen RUBBER PLUG	fuer Kammer Ø4 FOR CAVITY DIA. 4 mm	Blindstopfen RUBBER PLUG
2	3			1													

THIS DRAWING IS A CONTROLLED DOCUMENT.		OWN: S. Garcia 05JAN1999	TE Connectivity											
DIMENSIONS: mm		CHK: M. Bleicher 13AUG2003												
TOLERANCES UNLESS OTHERWISE SPECIFIED: <table border="1"> <tr> <td>1-PLC</td> <td>±0.2</td> </tr> <tr> <td>2-PLC</td> <td>±0.2</td> </tr> <tr> <td>3-PLC</td> <td>±0.2</td> </tr> <tr> <td>4-PLC</td> <td>±0.2</td> </tr> <tr> <td>ANGLES</td> <td>±0.1</td> </tr> <tr> <td>FINISH</td> <td>±0.1</td> </tr> </table>		1-PLC	±0.2	2-PLC	±0.2	3-PLC	±0.2	4-PLC	±0.2	ANGLES	±0.1	FINISH	±0.1	NAME: M. Bleicher 13AUG2003
1-PLC	±0.2													
2-PLC	±0.2													
3-PLC	±0.2													
4-PLC	±0.2													
ANGLES	±0.1													
FINISH	±0.1													
MATERIAL: -		APPLICATION SPEC: 114-18030	RESTRICTED TO: -											
WEIGHT: -		114-18021 / 114-18025	SCALE: 10:1 SHEET: 1 of 1 REV: C26											
CUSTOMER DRAWING		00779	©=929454											

X-ON Electronics

Largest Supplier of Electrical and Electronic Components

Click to view similar products for [Automotive Connectors](#) category:

Click to view products by [TE Connectivity](#) manufacturer:

Other Similar products are found below :

[003-018-000](#) [60403001](#) [60993906-B](#) [M902-2131](#) [M902-2161](#) [M902-2344](#) [72.330.1035.1](#) [73.353.4028.0](#) [F119300-B](#) [F166900](#) [F258300-B](#)
[F358300-B](#) [F407400](#) [F444110](#) [F487000](#) [F509500B-B](#) [827153-1](#) [8N1515-32-24P](#) [9-1326729-8](#) [925474-1](#) [928905-1](#) [964562-4](#) [968782-1](#)
[GT17SA-8DS-HU](#) [98891-1012](#) [98947-1016](#) [12004147](#) [12004475-L](#) [12010290](#) [12010309-B](#) [12015454](#) [12020219-B](#) [12041318-B](#) [12052225-](#)
[L](#) [12052466](#) [12064869](#) [12004327-B](#) [12015308](#) [12015384](#) [12015909](#) [1-21030-1](#) [12041254](#) [12041318](#) [12047946-B](#) [12047957](#) [12047957-L](#)
[12059473](#) [12066261](#) [12110546](#) [12110546-B](#)