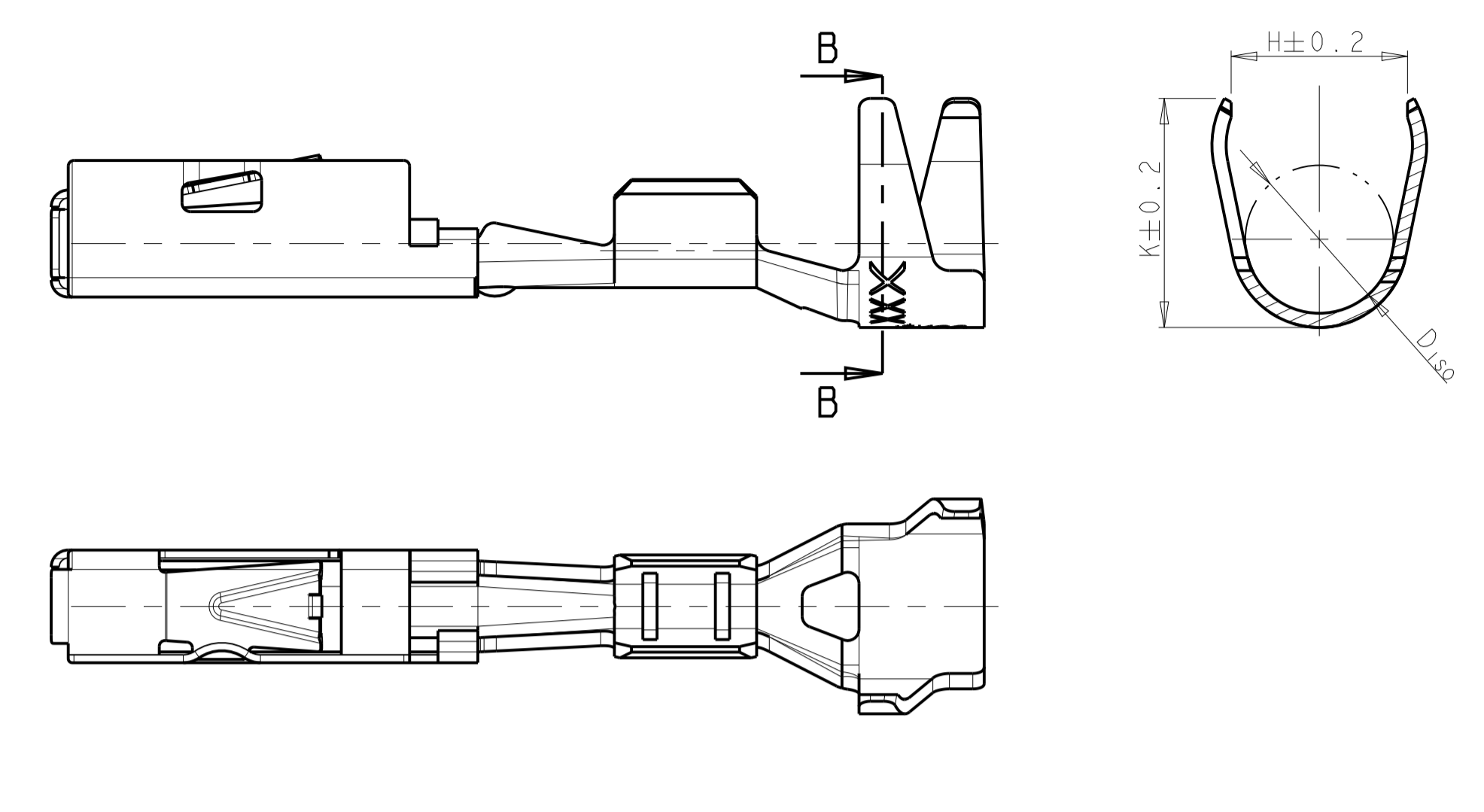
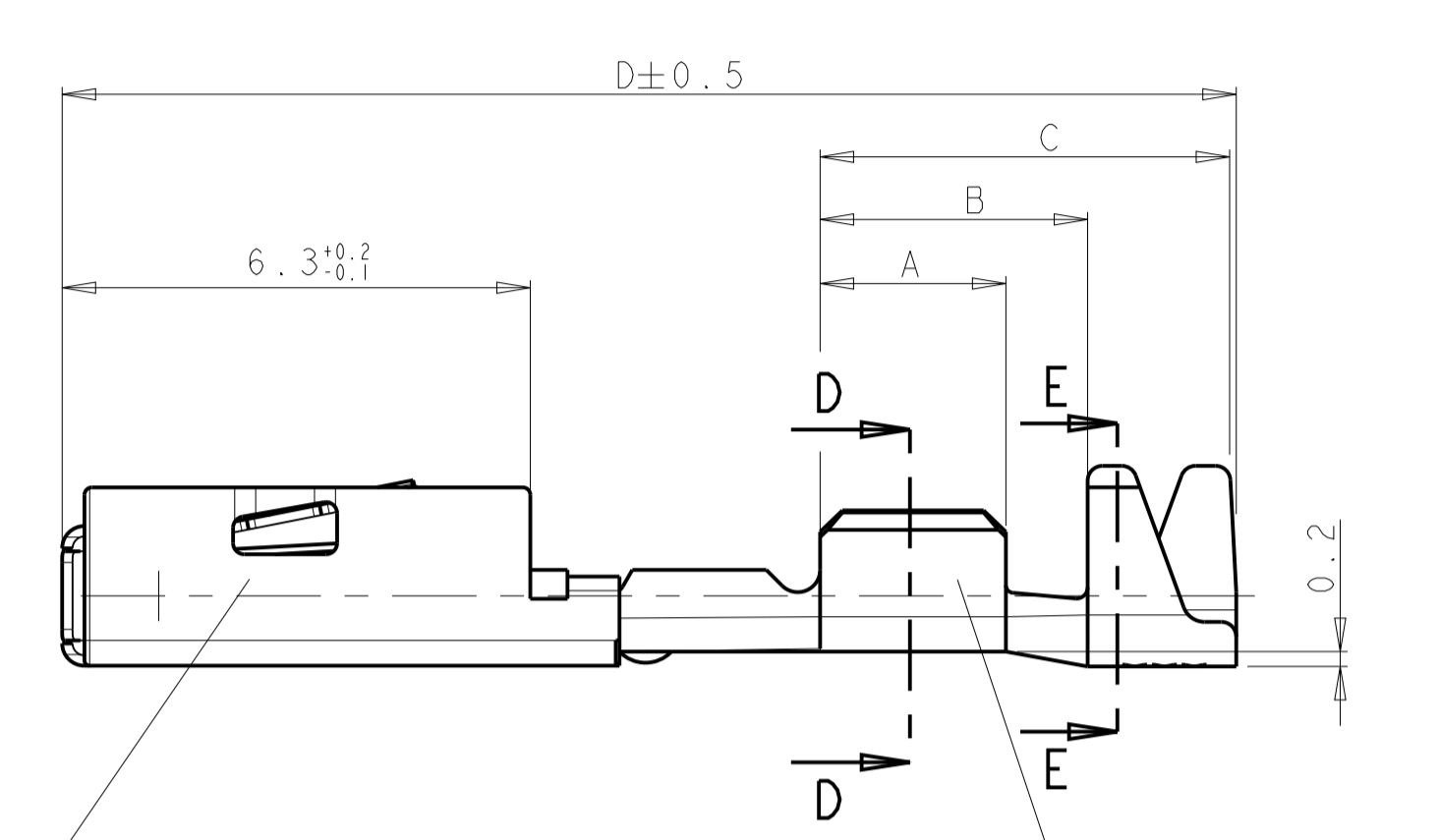
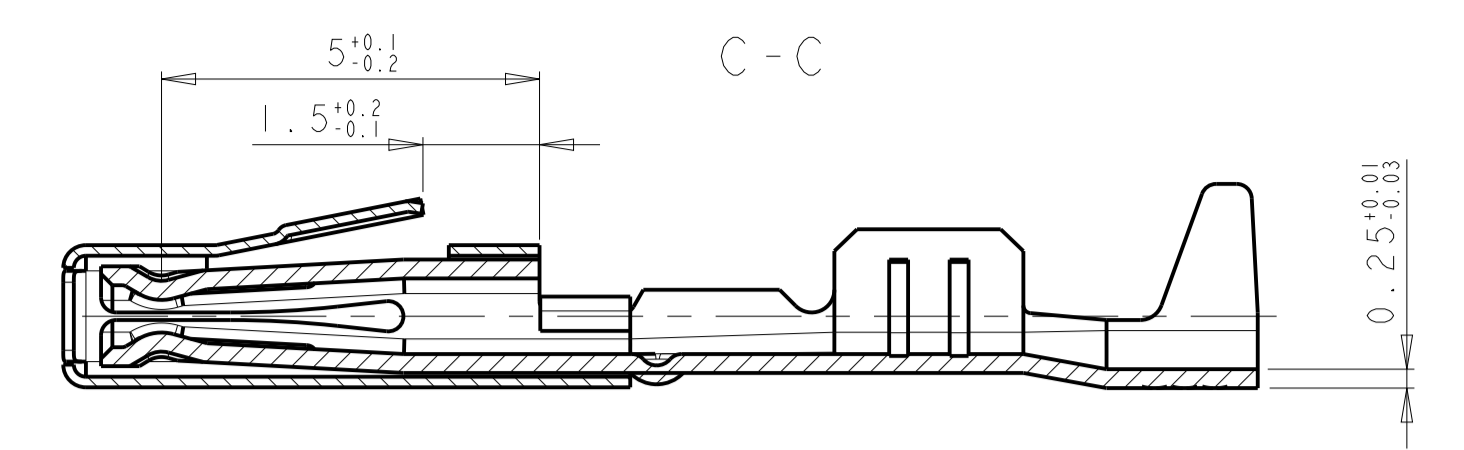


Einzel-Dichtungs-System
SINGLE WIRE SYSTEM

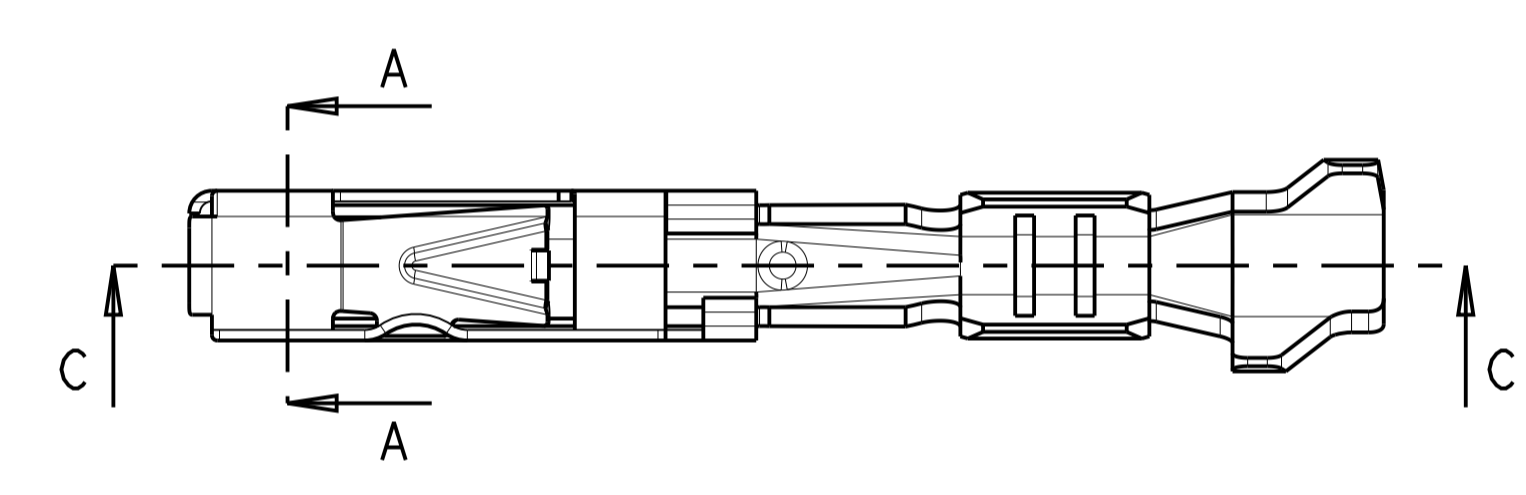
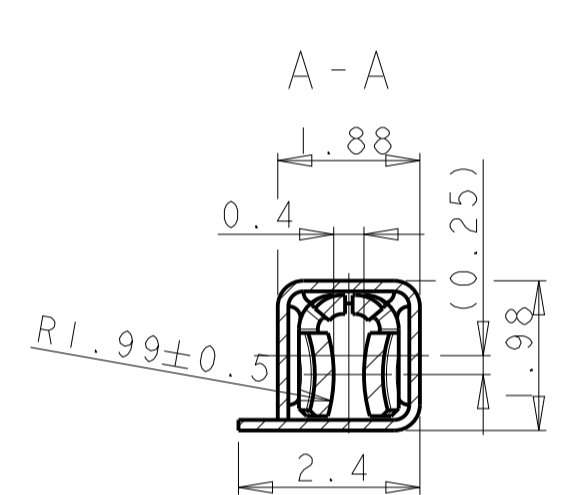


Normale Anwendung
USUAL APPLICATION

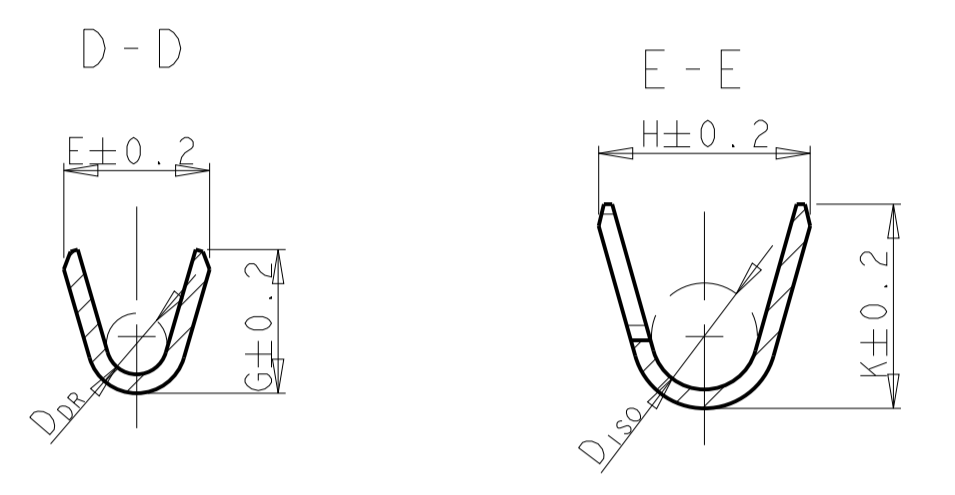


Überfeder / SPRING
Material: X12CrNi17 7
DIN 17224
Oberfläche: blank
SURFACE: UNCOATED

Kontaktkörper / BODY
Material: CuNiSi F57
Oberfläche: siehe Tabelle
SURFACE: SEE CHART



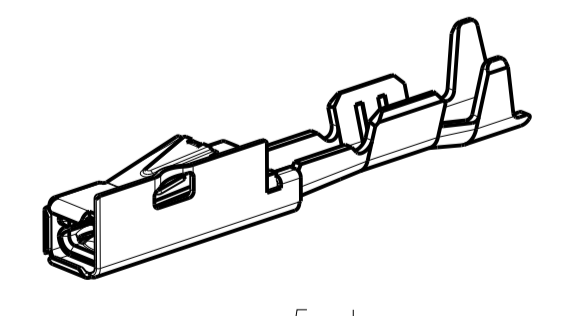
REVISIONS		DATE	DWN	APVD
P.	LTH	DESCRIPTION		
B2	ECR-14-015440		MN	Sche



TE BESTELL-NR. ORDER NO.	REV.	VERSION	DGB WIRE-SIZE-RANGE [mm ²]	Oberfläche SURFACE	ART KIND	GRAMM GEWICHT WEIGHT	Länge LENGTH	Drahtcrimp WIRE CRIMP	Iso' crimp INSU. CRIMP	DGB [mm ²]	Isolations-ø INSUL.-DIA. [mm]		für Kammer-ø3.6mm FOR CAVITY-DIA 3.6mm	für Kammer-ø4mm FOR CAVITY-DIA 4mm
											1.0 1.5	1.9-2.4		
1355662-3	B	0.75-1.5	Ag	c	0.2	A = 3.5 B = 5.3 C = 7.5 D = 16.4	E = 2.7 G = 2.9 D_{DR} = 1.4	H = 3.6 K = 3.9 D_{ISO} = 2.9	1.0 1.5	1.9-2.4	AMP: 963142-1 AMP: 967067-1	schwarz BLACK grün GREEN	-	-
1355662-1	B	0.35-0.5	Sn	c	0.2	A = 2.5 B = 4.3 C = 6.5 D = 16.4	E = 1.9 G = 1.9 D_{DR} = 0.8	H = 3.1 K = 4 D_{ISO} = 2.6	1.0 1.5	1.9-2.4	AMP: 963142-1 AMP: 967067-1	schwarz BLACK grün GREEN	-	-
1355663-3	B	0.75-1.5	Ag	c	0.2	A = 2.5 B = 4.3 C = 6.5 D = 16.4	E = 1.9 G = 1.9 D_{DR} = 0.8	H = 3.1 K = 4 D_{ISO} = 2.6	1.0 1.5	1.9-2.4	AMP: 963142-1 AMP: 967067-1	schwarz BLACK grün GREEN	-	-
1355663-1	B	0.35-0.5	Sn	c	0.2	A = 2.5 B = 4.3 C = 6.5 D = 16.4	E = 1.9 G = 1.9 D_{DR} = 0.8	H = 3.1 K = 4 D_{ISO} = 2.6	1.0 1.5	1.9-2.4	AMP: 963142-1 AMP: 967067-1	schwarz BLACK grün GREEN	-	-
929398-1	B	0.75-1.5	Ag	c	0.2	A = 3.5 B = 5.1 C = 7.7 D = 16.4	E = 2.7 G = 2.9 D = 1.4	H = 3.7 K = 3.9 D = 2.1	1.0 1.5	1.9-2.4	AMP: 963142-1 AMP: 967067-1	schwarz BLACK grün GREEN	-	-
929396-1	B	0.35-0.5	Ag	c	0.2	A = 2.5 B = 3.6 C = 5.6 D = 15.8	E = 1.9 G = 1.9 D = 0.8	H = 2.7 K = 2.7 D = 1.4	1.0 1.5	1.9-2.4	AMP: 963142-1 AMP: 967067-2	schwarz BLACK gelb YELLOW	-	-

Bemerkungen
NOTES

- Einzelheiten der Auslieferung bleiben dem Hersteller ueberlassen
DETAILS OF DESIGN ARE LEFT TO MANUFACTURER
- Nur fuer FLR-Leitung nach DIN 72551, Teil 1
FOR FLR-CONDUCTOR ACCORDING TO DIN 72551-6 ONLY



5:1

THIS DRAWING IS A CONTROLLED DOCUMENT. DIESES ZEICHNUNGSBLATT WIRD DURCH UNS KONTROLLIERT. ANDEREN, DIE SICH TECHNISCHER FORTSCHRITT BEZIEHEN, SIND UNBENUTZBAR. ALL RIGHTS RESERVED. ALL INFORMATION IS UNCLASSIFIED UNLESS OTHERWISE SPECIFIED.		DWN S. GARCIA 26-OKT-98	NAME Produktgruppenzchnng./PRODUCT GROUP DWG
DIMENSIONS MASSEINHEITEN: mm		CHK R. Jetter 26-OKT-98	PRODUCT SPEC 108-18030
TOLERANCES UNLESS OTHERWISE SPECIFIED: 0 PLC ±.DIN 2 PLC ±.6930-m 4 PLC ±. ANGLES UNLESS OTHERWISE SPECIFIED		APVD -	APPLICATION SPEC 114-18286
MATERIAL		SIZE A1	RESTRICTED TO KUR FÜR
FINISH/OBERFLÄCHE/FARBE		Customer Drawing	Customer Drawing
WEIGHT GEWICHT		SCALE 10:1	SHEET 1
Zugehörige Einzeldichtung / SUITABLE SINGLE WIRE SEAL		SCALE 10:1	SHEET 1

X-ON Electronics

Largest Supplier of Electrical and Electronic Components

Click to view similar products for [Automotive Connectors](#) category:

Click to view products by [TE Connectivity](#) manufacturer:

Other Similar products are found below :

[003-018-000](#) [60403001](#) [60993906-B](#) [M902-2131](#) [M902-2161](#) [72.330.1035.1](#) [73.353.4028.0](#) [F119300-B](#) [F166900](#) [F258300-B](#) [F358300-B](#)
[F407400](#) [F444110](#) [F487000](#) [F509500B-B](#) [827153-1](#) [8N1515-32-24P](#) [9-1326729-8](#) [925474-1](#) [928905-1](#) [964562-4](#) [968782-1](#) [GT17SA-8DS-](#)
[HU](#) [98891-1012](#) [98947-1016](#) [12004147](#) [12004475-L](#) [12010290](#) [12010309-B](#) [12015454](#) [12020219-B](#) [12020308](#) [12041318-B](#) [12052225-L](#)
[12052466](#) [12059125](#) [12064869](#) [12004327-B](#) [12010503-B](#) [12015308](#) [12015384](#) [12015909](#) [1-21030-1](#) [12041254](#) [12041318](#) [12047946-B](#)
[12047957](#) [12047957-L](#) [12059473](#) [12066261](#)