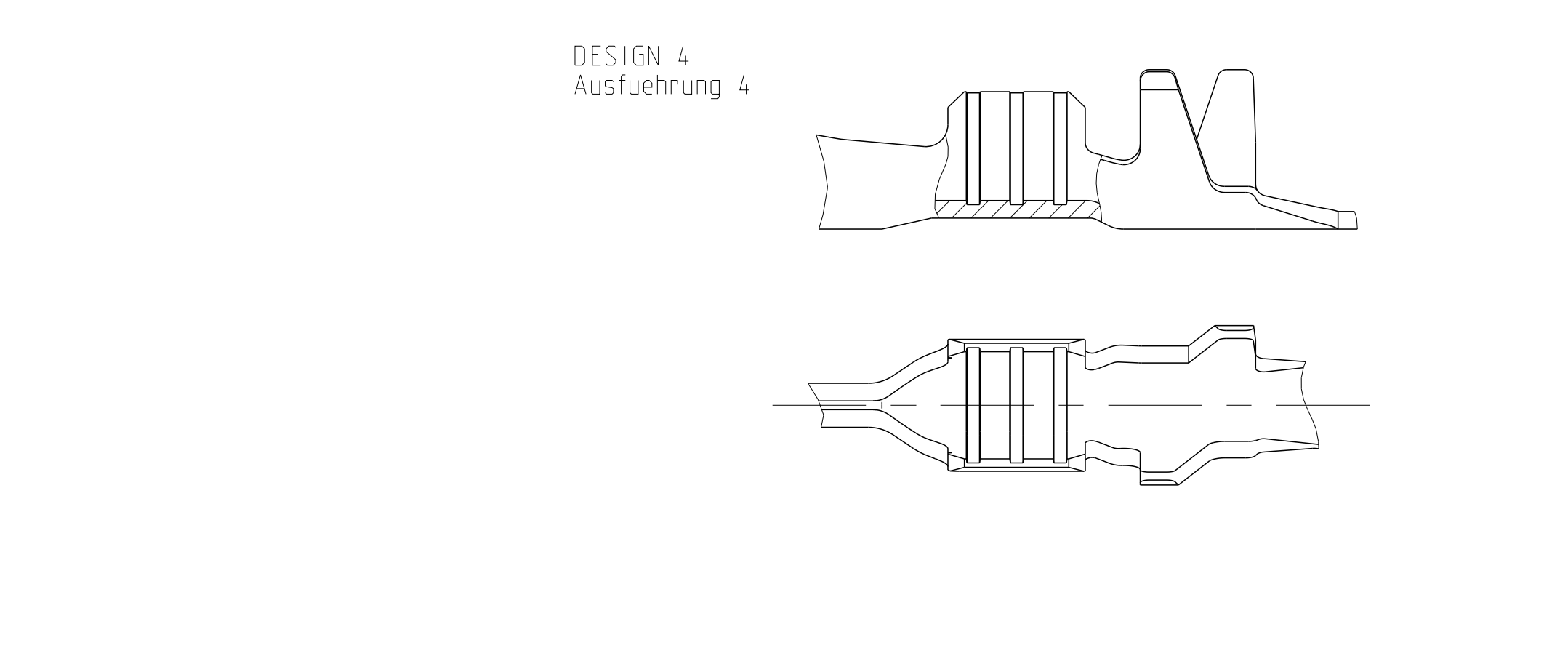
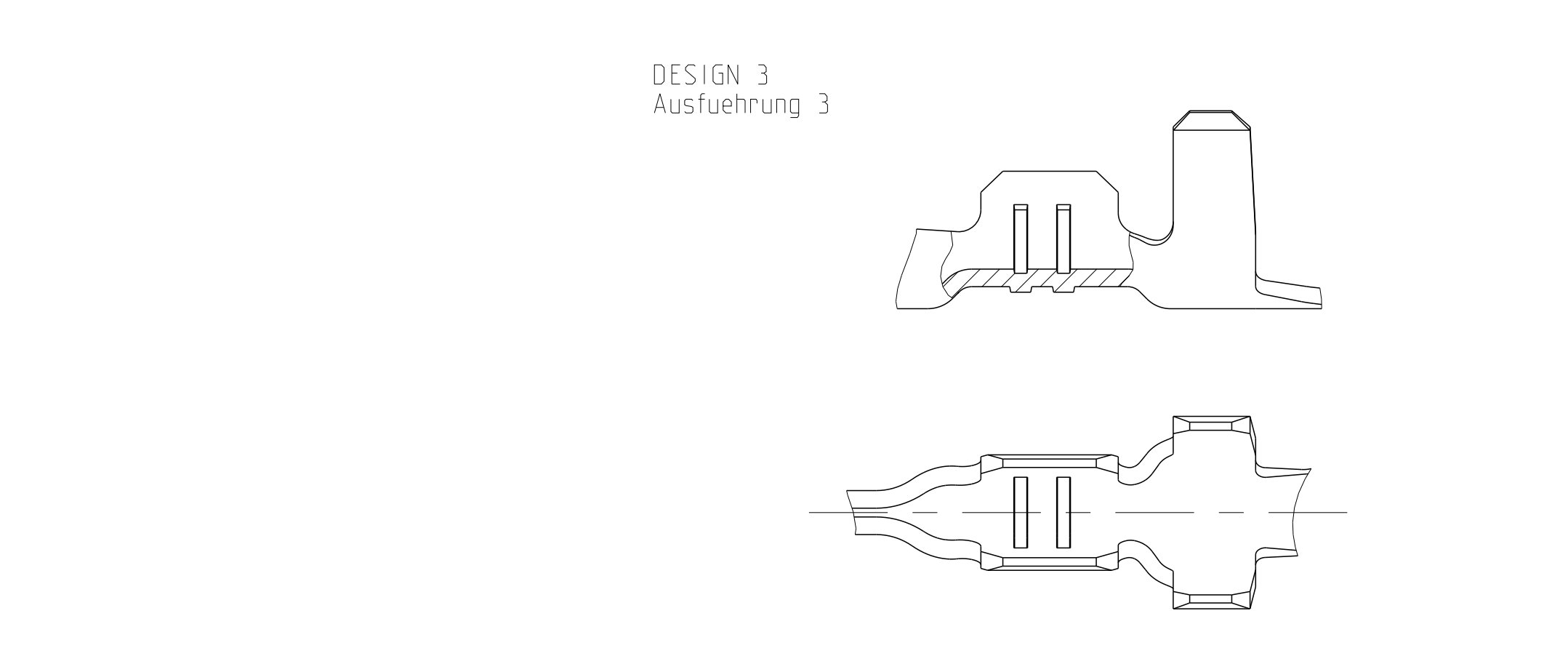
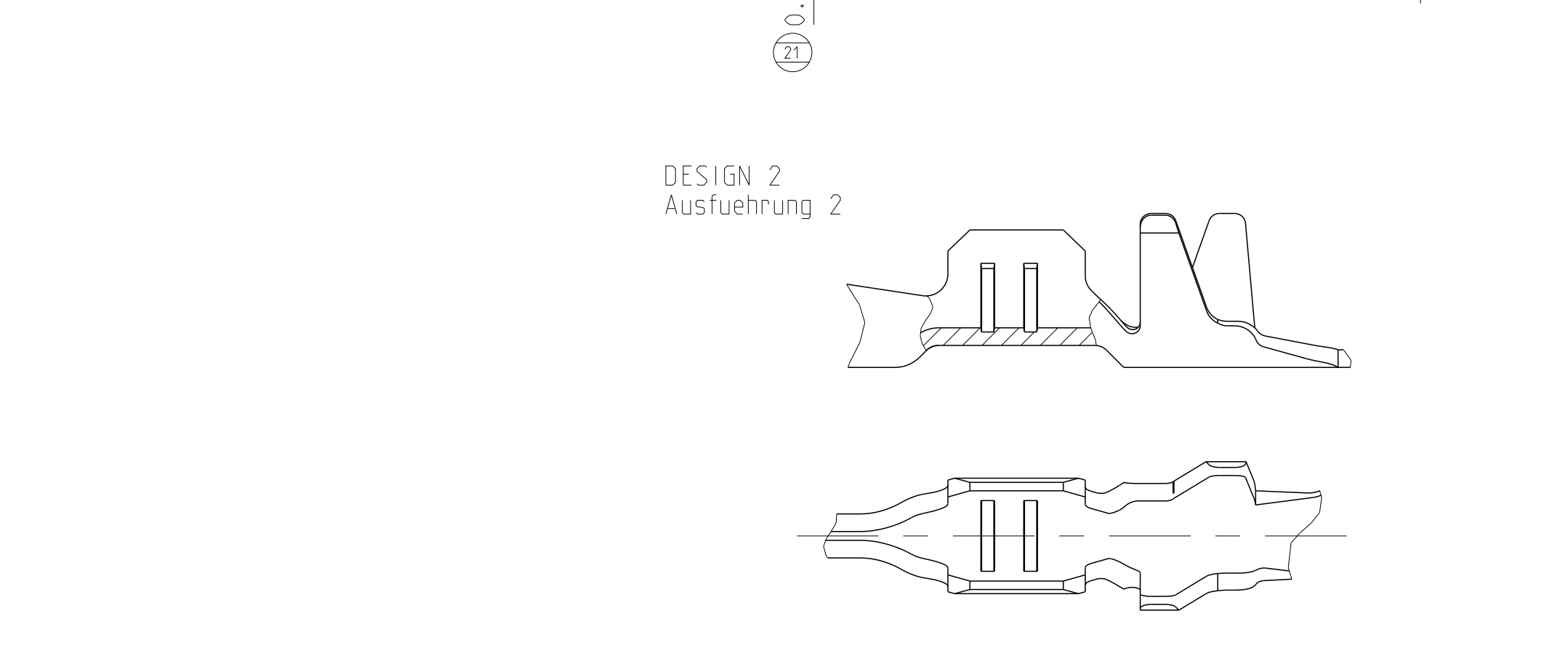
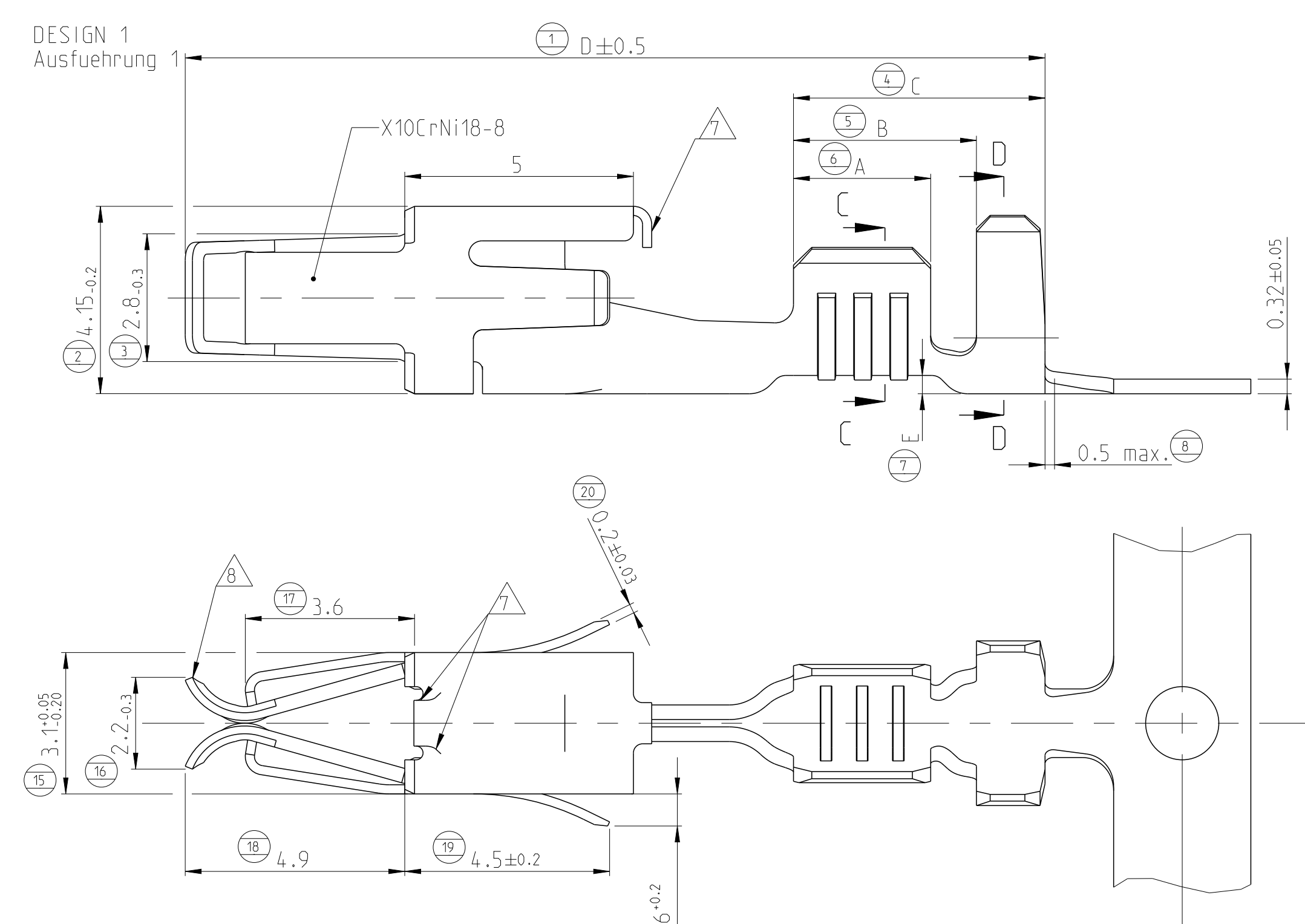
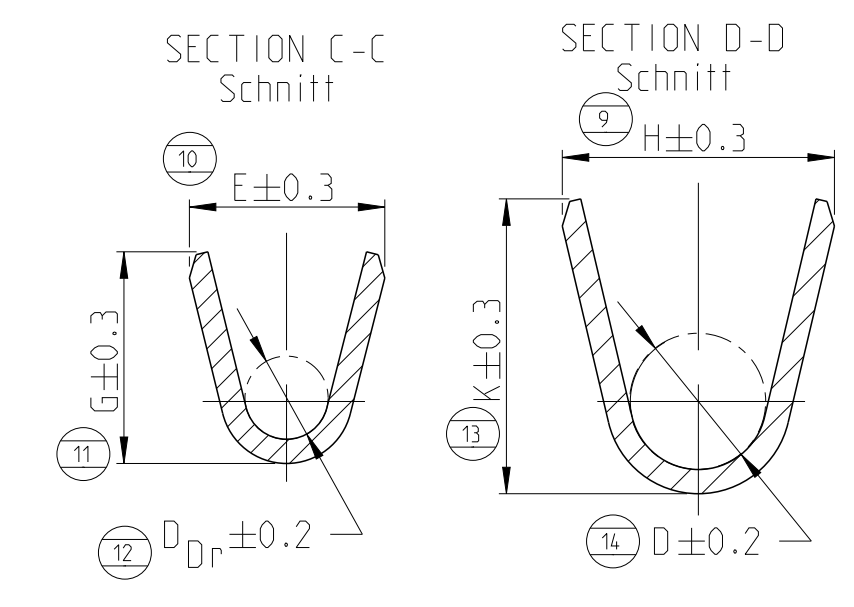
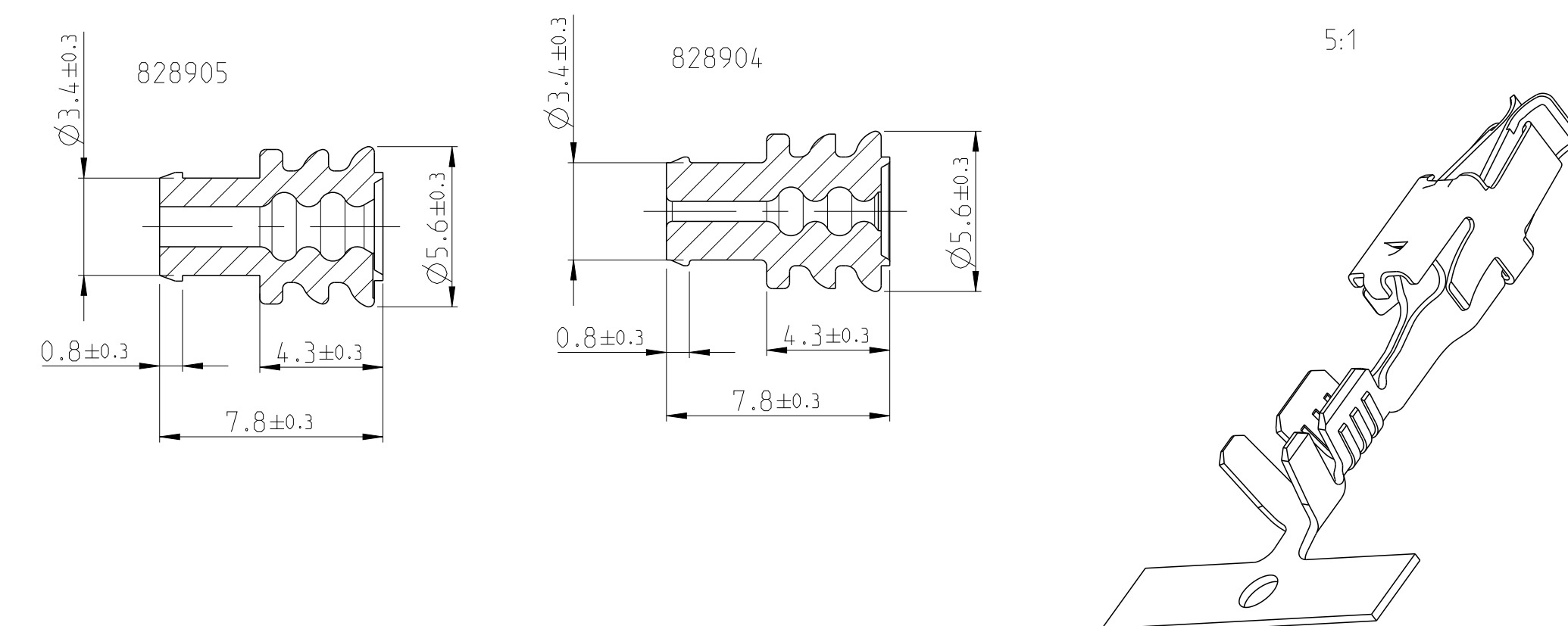


REV.	DESIGN	MATERIAL	SURFACE	WIRE RANGE	INSULATION	WIRE CRIMP	INSUL. CRIMP	A	B	C	D	E	
2386386-9	A	4	CuSn4	△△	1.5-2.5 FLR	2.1-3.1 FLR	E = 3.6 G = 3.8 D <sub>Dr</sub> = 1.8	H = 4.7 K = 4.9 D = 2.6	3.3	4.3	5.8	18.8	0.4
2386386-6	A	4	CuSn4	△	1.5-2.5 FLR	2.1-3.1 FLR	E = 3.6 G = 3.8 D <sub>Dr</sub> = 1.8	H = 4.7 K = 4.9 D = 2.6	3.3	4.3	5.8	18.8	0.4
2386386-3	A	4	CuSn4	△	PRET INNED vorverzinnnt min. 1µm								
2386386-1	A	4	CuFe2	△									
2367105-6	A	5	CuSn4	△	0.35-0.5 FLR/FLU	1.2-1.4	E = 2.4 G = 2.3 D <sub>Dr</sub> = 1.0	H = 2.9 K = 2.9 D = 1.4	2.5	3.8	5.7	18.8	0.2
2367105-3	A	5	CuSn4	△	PRET INNED vorverzinnnt min. 1µm								
2367105-1	A	5	CuFe2	△									
965901-1	A	1	CuSn4	△	0.5-1.0 FLR	1.4-2.3	E = 2.6 G = 2.8 D <sub>Dr</sub> = 1.1	H = 3.6 K = 3.9 D = 1.8	3	4	5.5	18.8	0.4
965899-1	A	1	CuSn4	△	1.5-2.5 FLR	2.1-3.1 FLR	E = 3.6 G = 3.8 D <sub>Dr</sub> = 1.8	H = 4.7 K = 4.9 D = 2.6	3.3	4.3	5.8	18.8	0.4
928876-1	A	1	CuSn4	PLAIN BLANK	0.5-1.0 FLK	2.0-2.7	E = 2.6 G = 2.8 D <sub>Dr</sub> = 1.1	H = 3.9 K = 4.1 D = 2.4	3	4	5.5	18.8	0.4
927775-7	M		CuNi12Zn24	PRET INNED vorverzinnnt min. 0.8µm									
927775-6	M		CuSn4	△									
927775-3	M	1	CuSn4	△	0.5-1.0 FLK	2.0-2.7	E = 2.6 G = 2.8 D <sub>Dr</sub> = 1.1	H = 3.9 K = 4.1 D = 2.4	3	4	5.5	18.8	0.4
927775-1	M		CuFe2	△									
928810-1	A	1	CuFe2	△	0.5-1.0 FLR	1.4-2.3	E = 2.6 G = 2.8 D <sub>Dr</sub> = 1.1	H = 3.6 K = 3.9 D = 1.8	3.0	4.0	5.5	18.8	0.4
963884-1	A	1	CuSn4	△	1.0-2.5 FLR	2.1-3.1 FLR	E = 3.6 G = 3.8 D <sub>Dr</sub> = 1.8	H = 4.7 K = 4.9 D = 2.6	3.3	4.3	5.8	18.8	0.4
927773-3	N		CuSn4	△									
927773-1	N	1	CuFe2	△	1.5-2.5 FLK	2.7-4.1	E = 3.6 G = 3.8 D <sub>Dr</sub> = 1.8	H = 5.5 K = 5.8 D = 3.6	3.3	4.3	5.8	18.8	0.4
2-927768-1	R		CuSn4	△									
1-927768-1	R		CuFe2	△									
A19 927768-9	P		CuSn4	△									
927768-8	P	1	CuFe2	△	1.5-2.5 FLR	2.1-3.1 FLR	E = 3.6 G = 3.8 D <sub>Dr</sub> = 1.8	H = 4.7 K = 4.9 D = 2.6	3.3	4.3	5.8	18.8	0.4
927768-6	P		CuSn4	△									
927768-3	P		CuSn4	△									
927768-1	P		CuFe2	△									
1719810-1	A	1	CuSn4	△									
2-927771-2	N		CuSn4	△									
2-927771-1	N		CuFe2	△									
1-927771-1	M		CuSn4	△	0.5-1.0 FLR	1.4-2.3 FLR	E = 2.6 G = 2.8 D <sub>Dr</sub> = 1.1	H = 3.6 K = 3.9 D = 1.8	3	4	5.5	18.8	0.4
927771-9	M		CuSn4	△									
927771-8	N		CuSn4	△									
927771-6	M		CuSn4	△									
927771-3	M		CuFe2	△									
2-927774-1	C		CuSn4	△									
1-927774-1	C		CuFe2	△									
927774-6	B	2	CuSn4	△	0.2-0.5 FLR	1.0-1.6	E = 2.1 G = 2.1 D <sub>Dr</sub> = 0.8	H = 2.7 K = 2.8 D = 1.4	2.5	3.5	5.6	18.8	0.4
927774-3	B		CuSn4	△									
927774-1	B		CuFe2	△									
963708-1	B	2	CuFe2	△	0.08-0.2 AWG/Special	1.5-1.8	E = 1.7 G = 1.7 D <sub>Dr</sub> = 0.6	H = 3.1 K = 3.2 D = 1.6	2.5	3.7	5.9	18.8	0.4
969137-1	A	3	CuSn4	△	0.2-0.5 FLK	1.15-2.3	E = 2.1 G = 2.1 D <sub>Dr</sub> = 0.8	H = 3.5 K = 3.6 D = 2.0	2.5	3.5	5	18.8	0.4
1-927778-1	D		CuFe2	△									
927778-3	C	3	CuSn4	△	0.2-0.5 FLK	1.15-2.3	E = 2.1 G = 2.1 D <sub>Dr</sub> = 0.8	H = 3.5 K = 3.6 D = 2.0	2.5	3.5	5	18.8	0.4
927778-1	C		CuFe2	△									
2112132-1	A	4	CuSn4	PLAIN BLANK	0.2-0.5 FLR	1.15-1.6	E = 2.4 G = 2.3 D <sub>Dr</sub> = 1	H = 2.9 K = 2.9 D = 1.4	2.5	3.5	5.6	18.8	0.2
2-927766-1	E		CuSn4	△									
1-927766-1	E	5	CuFe2	△									
927766-3	D		CuSn4	△	1.5-2.5 FLU	2.7-3.0 FLR	E = 3.6 G = 3.8 D <sub>Dr</sub> = 1.8	H = 5.4 K = 4.6 D = 3.2	3.5	5.9	7.5	18.8	0.4
927766-1	D		CuFe2	△									
2-929937-1	E		CuSn4	△									
1-929937-1	E	5	CuFe2	△	1.5-2.5 FLU	2.7-3.0 FLK	E = 3.6 G = 3.8 D <sub>Dr</sub> = 1.8	H = 5.4 K = 4.6 D = 3.2	3.5	5.9	7.5	21	0.4
929937-6	E		CuSn4	△									
929937-3	E		CuSn4	△									
929937-1	E		CuFe2	△									
2-929939-1	E		CuSn4	△									
1-929939-1	E	5	CuFe2	△	0.5-1.0 FLR	1.4-2.1 FLR	E = 2.6 G = 2.8 D <sub>Dr</sub> = 1.1	H = 5.4 K = 4.6 D = 3.2	3	5.4	7	21	0.6
929939-6	E		CuSn4	△									
929939-3	E		CuSn4	△									
929939-1	E		CuFe2	△									
2-927770-1	G		CuSn4	△									
1-927770-1	G	5	CuFe2	△	0.5-1.0 FLR	1.4-2.1 FLK	E = 2.6 G = 2.8 D <sub>Dr</sub> = 1.1	H = 5.4 K = 4.6 D = 3.2	3	5.4	7	18.8	0.6
927770-6	F		CuSn4	△									
927770-3	F		CuSn4	△									
927770-1	F		CuFe2	△									
2-929941-1	E		CuSn4	△									
1-929941-1	E	6	CuFe2	△	0.22-0.38 FLK	FLK 1.16-1.6	E = 2.1 G = 2.1 D <sub>Dr</sub> = 0.8	H = 5.4 K = 4.6 D = 3.2	2.5	4.9	6.5	21	0.9
929941-6	D		CuSn4	△	0.35-0.5 FLR	FLR 1.15-1.6							
929941-3	D		CuSn4	△	0.5 FLU	FLU 1.3-1.4							
929941-1	D		CuFe2	△									
1-927772-1	C		CuFe2	△									
927772-3	C	6	CuSn4	△	0.22-0.38 FLK	FLK 1.15-1.6	E = 2.1 G = 2.1 D <sub>Dr</sub> = 0.8	H = 5.4 K = 4.6 D = 3.2	2.5	4.9	6.5	18.8	0.9
927772-1	C		CuFe2	△									

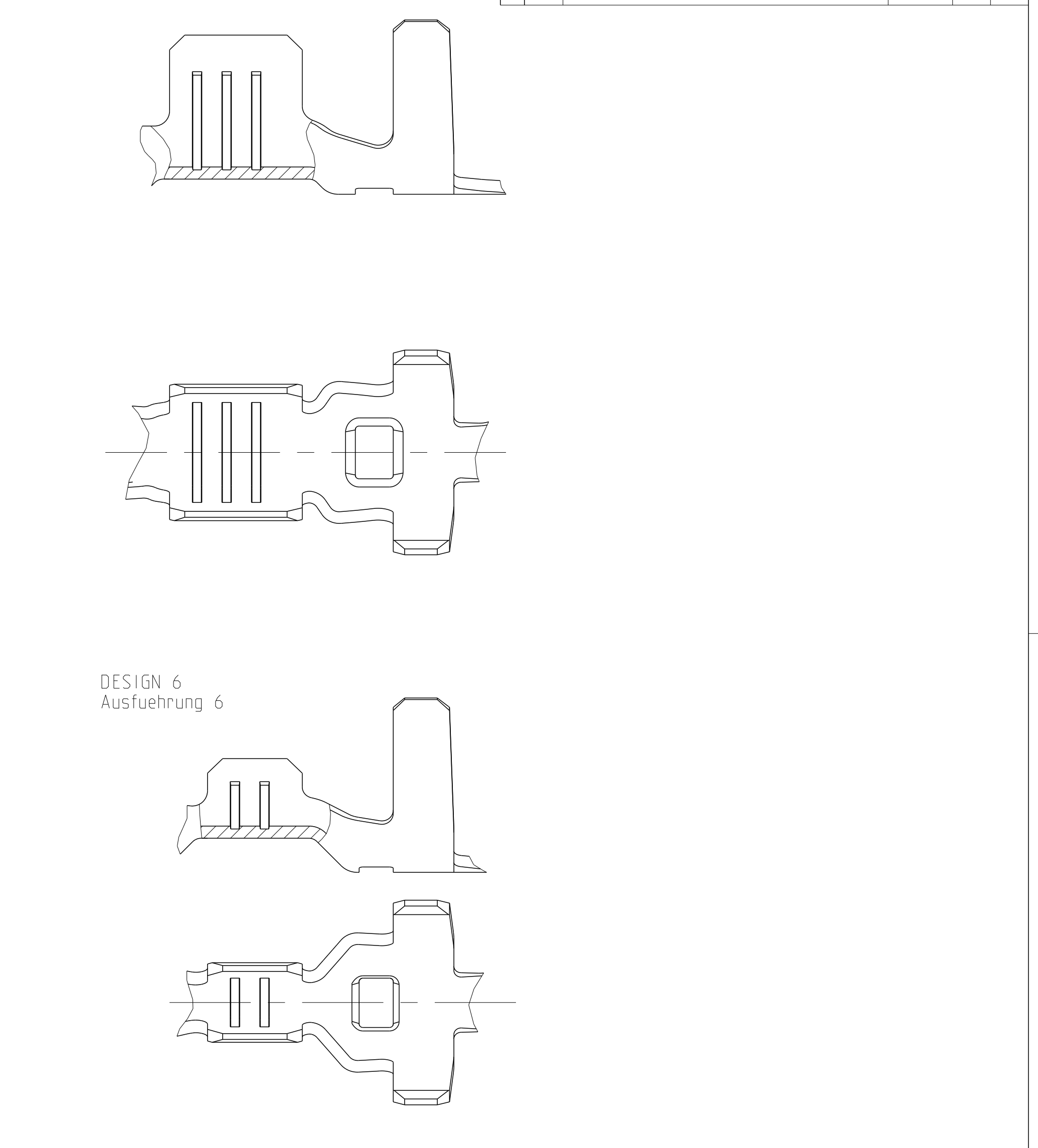
SEE APPLICATION - SPECIFICATION  
 Siehe Veranlassungsspezifikation  
 114-18050



ORDER No. Bestell-Nr.	INSULATION Ø Isolations	COLOUR Farbe
828904-1	1.2-2.1	blue blau
828905-1	2.2-3.0	white weiss



REV.	DATE	DESCRIPTION	BY	CHK	APPD
A16	29NOV2024	Add PN's in the Table	JPN	KMD	Eden
A17	23SEP2020	PNs ADDED IN THE TABLE	JPN	PM	
A18	10C12023	SEE PCN-23-189692	JPN	PM	
A19	29NOV2023	SEE PCN-23-193765	JPN	PM	



- NOTES  
 Bemerkungen
- CONTACT BODY PRE-SILVER PLATED MIN. 0.8µm  
 Kontaktkoerper vorversilbert min. 0.8µm
  - CONTACT ZONE SELECTIVE PRE-SILVER PLATED MIN. 3µm  
 Kontaktzone selektiv vorversilbert min. 3µm
  - CONTACT ZONE GOLD PLATED MIN. 0.8µm OVER MIN. 1.3µm NICKEL-LAYER  
 Kontaktzone verguldet min. 0.8µm ueber min. 1.3µm Nickel-Zwischenschicht
  - CANTILEVER SPRING INSIDE AND OUTSIDE 0.4-1.2µm GOLD PLATED  
 Ueberfeder innen und aussen 0.4-1.2µm verguldet
  - CONTACT BODY, CONTACT SPRING INSIDE AND CRIMP AREA MIN. 1µm TIN PLATED OVER NICKEL-LAYER.  
 TOUCHING AREA TO CANTILEVER SPRING AND CONTACT SPRING OUTSIDE  
 SELECTIVE 0.8µm GOLD OVER MIN. 1.3µm NICKEL-LAYER  
 Kontaktkoerper, Kontaktfeder innen und Crimpbereich min. 1.3µm verzinkt ueber Nickel-Zwischenschicht, Anlagelflaeche zur Ueberfeder und Kontaktfeder aussen selektiv 0.8µm verguldet ueber min. 1µm Nickel-Zwischenschicht
  - CONTACT ZONE AND TOUCHING AREA TO CANTILEVER SPRING MIN. 0.8µm  
 SELECTIVE GOLD PLATED OVER  
 1.3µm NICKEL PLATED, CRIMP AREA MIN. 1µm TIN PLATED OVER NICKEL-LAYER  
 Kontaktzone und Anlagelflaeche zur Ueberfeder min. 0.8µm verguldet ueber min. 1.3µm Nickel-Zwischenschicht Crimpbereich min. 1µm verzinkt ueber Nickel-Zwischenschicht
  - CONTACT BODY AND CRIMP AREA MIN. 1µm TIN PLATED OVER NICKEL-LAYER.  
 TOUCHING AREA TO CANTILEVER SPRING SELECTIVE 0.8µm GOLD OVER MIN. 1.3µm NICKEL-LAYER  
 Anlagelflaeche zur Ueberfeder selektiv 0.8µm verguldet ueber min. 1.3µm Nickel-Zwischenschicht
  - CONTACT OFF OPTIONAL  
 Abschnitt/Freischnitt optional
  - SAW AG ONLY FOR PN 929937, 929939, 929941  
 Swage nur fuer PN 929937, 929939, 929941
  - VARIANTS WITH GAP-SIZE 0.3mm (±0.1)  
 Varianten mit Gap-Size 0.3mm (±0.1)
  - CONTACTS DIPPED IN OR SPRAYED WITH LUBRICANT BARRIERTA  
 Kontakte getaucht oder besprueht mit Lubricant Barrierta
  - ACCORDING INSULATION DIA IS TO CHOOSE THE SINGLE WIRE SEAL  
 Entsprechend dem Isolationsdurchmesser ist die Einzel-Dichtung auszuwaehlen
  - VARIANTS WITH GAP-SIZE 0.65mm (-0.1)  
 Varianten mit Gap-Size 0.65mm (-0.1)
  - VARIANTS WITH GAP-SIZE 0.15mm (-0.05)  
 Varianten mit Gap-Size 0.15mm (-0.05)

THIS DRAWING IS A CONTROLLED DOCUMENT.		DATE: 09JUN99	BY: K. Geilach	CHK: H. Has	APPD: 09JUN99
DIMENSIONS: DIM	TOLERANCES UNLESS OTHERWISE SPECIFIED:	PRODUCT SPEC: 108-18013	SPECIFICATION SPEC: 114-18050		
MATERIAL: SEE TABLE	FINISH: SEE TABLE	WEIGHT: -	SCALE: Customer Drawing	RESTRICTION TO: -	

## X-ON Electronics

Largest Supplier of Electrical and Electronic Components

*Click to view similar products for [Automotive Connectors](#) category:*

*Click to view products by [TE Connectivity](#) manufacturer:*

Other Similar products are found below :

[003-018-000](#) [60993906-B](#) [72.330.1035.1](#) [776880-1](#) [827153-1](#) [9-1326729-8](#) [9-221607-5](#) [925474-1](#) [928905-1](#) [964562-4](#) [968782-1](#) [12004468](#)  
[12004475-L](#) [12004483](#) [12052466](#) [12066163](#) [12015909](#) [12077753](#) [1-21030-1](#) [12047957](#) [12047958](#) [12084688](#) [12185550](#) [12336-12](#) [1-](#)  
[326211-1](#) [13681974](#) [13688972](#) [13755420](#) [13779834](#) [13783086](#) [13843152](#) [13522378](#) [13581967](#) [13669624](#) [13675513](#) [13753471](#) [13946876](#)  
[13953457](#) [13955963](#) [13964573](#) [13971791](#) [13790534-L](#) [13797473](#) [13805590](#) [13888202](#) [1428188-1](#) [1437287-3](#) [1428188-2](#) [DS07-19S-5020](#)  
[1456983-5](#)