

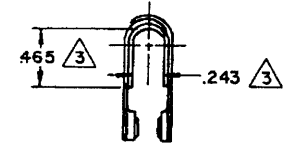
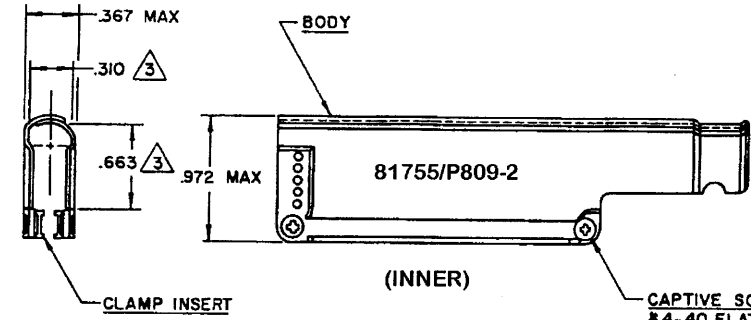
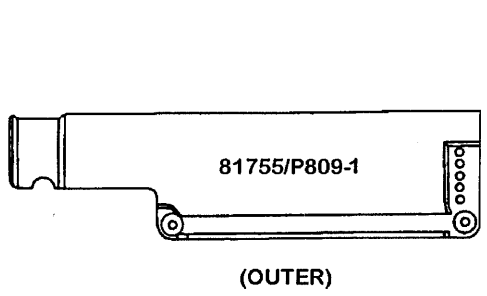
4

3

2

1

REVISIONS			
ZONE/LTR	DESCRIPTION	DATE	APPROVAL
—	N/C	INITIAL RELEASE PER ECN # T-20417	8-29-95 HAGMANN



NOTES:

1. MATERIAL:

- A. **BODY**; PHOSPHOR BRONZE PER ASTM B-139.
- B. **CAPTIVE SCREW**; STAINLESS STEEL PER QQ-S-763, 300 SERIES.
- C. **CLAMP INSERT**; FLUOROSILICONE ELASTOMER PER MIL-R-25988.

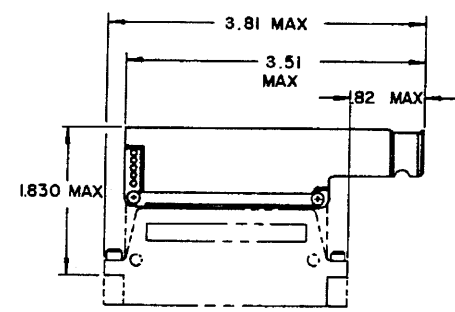
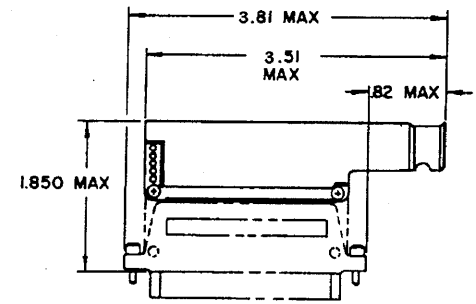
2. FINISH:

- A. **BODY**; TIN PLATED PER MIL-T-10727 OVER NICKEL PER MIL-C-26074.
- B. **CAPTIVE SCREW**; CADMIUM PLATED PER QQ-P-416

3 THESE DIMENSIONS ARE FOR MAXIMUM CABLE ACCOMMODATION.

4. **Raychem** PART NUMBER IS MARKED ON BACKSHELL PACKAGE.

5. THIS BACKSHELL IS FOR USE WITH **Raychem** MTC SERIES CONNECTORS, 2" PLUG OR 2" RECEPTACLE AS SHOWN.



CUSTOMER P/N	RAYCHEM P/N	STYLE
81755/P809-1	CHA-0018-103	OUTER
81755/P809-2	CHA-0018-203	INNER

SPECIFICATION CONTROL DRAWING

UNLESS OTHERWISE SPECIFIED DIMENSIONS ARE IN INCHES BRACKETED DIMENSIONS () ARE METRIC AND TOLERANCES ARE: xxx: ± () xx: ± () Δ: ± ()	DRAWN	W.JACKSON	9-80	Raychem <small>RAYCHEM CORPORATION 300 CONSTITUTION DRIVE MENLO PARK, CALIFORNIA 94025</small>	
	CHECKED	B			
	APPROVED	Plain	7-29-80		
	APPROVED				
				TITLE	RIGHT ANGLE BREAKOUT BACKSHELL 2 INCH MTC
				SIZE	A
				CODE IDENT	NO. 08090
				DWG. NO.	CHA-0018-X03
				CAD NAME	001029-1.PCX
				WEIGHT	
				SHEET	1 OF 1

DO NOT SCALE THIS DRAWING.

ORIGINAL DOCUMENT

X-ON Electronics

Largest Supplier of Electrical and Electronic Components

Click to view similar products for [RF Connector Accessories](#) category:

Click to view products by [TE Connectivity](#) manufacturer:

Other Similar products are found below :

[89674-0712](#) [F702RX24](#) [FERRULE-174](#) [R141802000](#) [R141805000](#) [R141842000](#) [R161862000](#) [R161862000W](#) [R280752000](#) [R280907000](#)
[R694261906](#) [RFI21-13](#) [RFI75-13-D2](#) [RFI75-4-D2](#) [AX102906](#) [AX102907](#) [18097-0013](#) [HP-375](#) [HP-500](#) [2098-0294-00](#) [2098-3251-94](#) [KA-](#)
[81-05](#) [89674-0805](#) [F1](#) [FERRULE-223](#) [202102-11](#) [213337-1](#) [220222-2](#) [24092671A](#) [24092678A](#) [R161841000](#) [R280468000](#) [R280510000](#)
[R282862060](#) [RFI155-1](#) [RFI25-12-D3](#) [RFI25-5](#) [RFI25-5-D3](#) [RFI75-12-D2](#) [RFI75-2-D2](#) [RFI75-4-D3](#) [RFI77-6](#) [360HS001M2508M6](#) [4-](#)
[1532137-4](#) [5-21085-0](#) [105274-1000](#) [111062-0490](#) [112122-SOD-LUG](#) [112-NUT-KNURL](#) [IPP-2014](#)