

THIS DRAWING IS UNPUBLISHED.

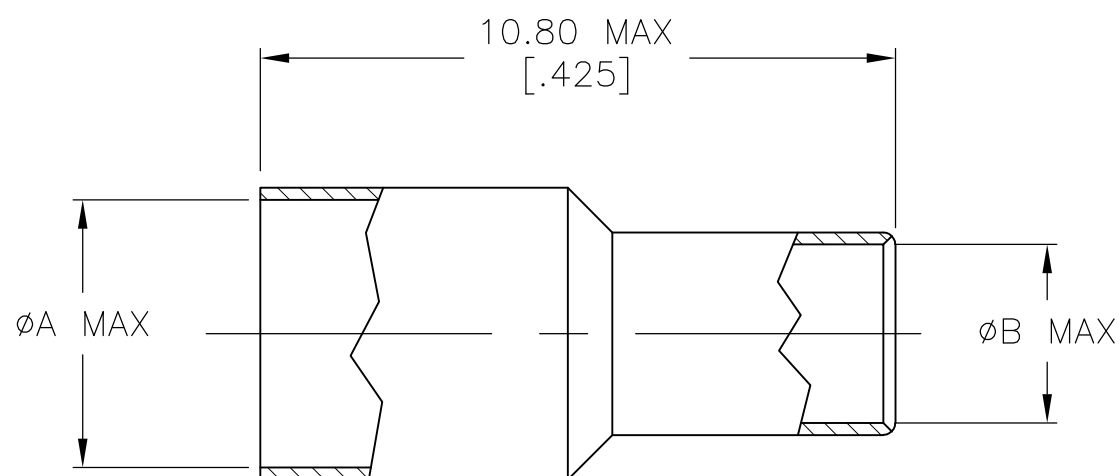
RELEASED FOR PUBLICATION

REVISIONS

© COPYRIGHT - By -

ALL RIGHTS RESERVED.

P	LTR	DESCRIPTION	DATE	DWN	APVD
	T5	REVISED PER ECR-17-009545	08AUG2017	AS	RS



- 1 SILVER PLATE PER QQ-S-365
5.08 μm [.000200] MINIMUM THICK.
- 2 TIN-LEAD PLATE PER ASTM-B-545
2.54 μm [.000100] MINIMUM THICK,
WITH SUPPLEMENTAL ANTI FRETTING LUBRICANT.
- 3 GOLD PLATE PER MIL-G-45204
0.76 μm [.000030] MINIMUM THICK.
- 4 MATTE TIN PLATE PER ASTM-B-545
2.54 μm [.000100] MINIMUM THICK,
WITH SUPPLEMENTAL ANTI FRETTING LUBRICANT.
- 5 BRIGHT TIN PLATE PER ASTM-B-545
2.54 μm [.000100] MINIMUM THICK,
WITH SUPPLEMENTAL ANTI FRETTING LUBRICANT.
- 6 328666 REPLACED BY 9-328666-3

	3.05 [.120]	4.55 [.179]	5	9-328666-4
	3.05 [.120]	3.86 [.152]	1	9-328666-3
	3.73 [.147]	4.55 [.179]	4	9-328666-2
	3.05 [.120]	3.86 [.152]	4	9-328666-1
	3.05 [.120]	4.55 [.179]	4	9-328666-0
	3.40 [.134]	4.55 [.179]	2	3-328666-9
	5.03 [.198]	5.51 [.217]	2	3-328666-6
OBSOLETE	3.73 [.147]	4.55 [.179]	2	3-328666-3
	3.05 [.120]	3.86 [.152]	2	2-328666-7
	3.05 [.120]	4.55 [.179]	3	2-328666-6
OBSOLETE	3.05 [.120]	4.55 [.179]	2	2-328666-5
	3.05 [.120]	4.55 [.179]	1	2-328666-3
OBSOLETE	3.05 [.120]	3.86 [.152]	1	328666
	B	A	FINISH	PART NUMBER

THIS DRAWING IS A CONTROLLED DOCUMENT.		DWN J. LIPPERT 28MAR01	TE Connectivity														
DIMENSIONS: mm [INCHES]		CHK R.E.RUTH 7/27/90															
TOLERANCES UNLESS OTHERWISE SPECIFIED:		APVD M. SNEED 7/27/90	NAME														
<table border="0"> <tr> <td>0 PLC</td> <td>± -</td> </tr> <tr> <td>1 PLC</td> <td>± -</td> </tr> <tr> <td>2 PLC</td> <td>± -</td> </tr> <tr> <td>3 PLC</td> <td>± -</td> </tr> <tr> <td>4 PLC</td> <td>± -</td> </tr> <tr> <td>ANGLES</td> <td>± -</td> </tr> </table>		0 PLC	± -	1 PLC	± -	2 PLC	± -	3 PLC	± -	4 PLC	± -	ANGLES	± -	PRODUCT SPEC	FERRULE		
0 PLC	± -																
1 PLC	± -																
2 PLC	± -																
3 PLC	± -																
4 PLC	± -																
ANGLES	± -																
MATERIAL COPPER ALLOY		FINISH SEE TABLE	APPLICATION SPEC	SIZE	CAGE CODE	DRAWING NO	RESTRICTED TO										
			—	—	A300779	C-328666	—										
CUSTOMER DRAWING			WEIGHT 0.000000	SCALE 1:1	SHEET 1 OF 1	REV T5											

X-ON Electronics

Largest Supplier of Electrical and Electronic Components

Click to view similar products for [RF Connector Accessories](#) category:

Click to view products by [TE Connectivity](#) manufacturer:

Other Similar products are found below :

[89674-0712](#) [F702RX24](#) [FERRULE-174](#) [R141802000](#) [R141805000](#) [R141842000](#) [R161862000](#) [R161862000W](#) [R280752000](#) [R280907000](#)
[R694261906](#) [RFI21-13](#) [RFI75-13-D2](#) [RFI75-4-D2](#) [AX102906](#) [AX102907](#) [18097-0013](#) [HP-375](#) [HP-500](#) [2098-0294-00](#) [2098-3251-94](#) [KA-](#)
[81-05](#) [89674-0805](#) [F1](#) [FERRULE-223](#) [202102-11](#) [213337-1](#) [220222-2](#) [24092671A](#) [24092678A](#) [R280468000](#) [R280510000](#) [R282862060](#)
[RFI155-1](#) [RFI25-12-D3](#) [RFI25-5](#) [RFI25-5-D3](#) [RFI75-12-D2](#) [RFI75-2-D2](#) [RFI75-4-D3](#) [RFI77-6](#) [360HS001M2508M6](#) [4-1532137-4](#) [5-21085-](#)
[0](#) [105274-1000](#) [111062-0490](#) [112122-SOD-LUG](#) [112-NUT-KNURL](#) [IPP-2014](#) [R280490020](#)