

THIS DRAWING IS UNPUBLISHED.

RELEASED FOR PUBLICATION

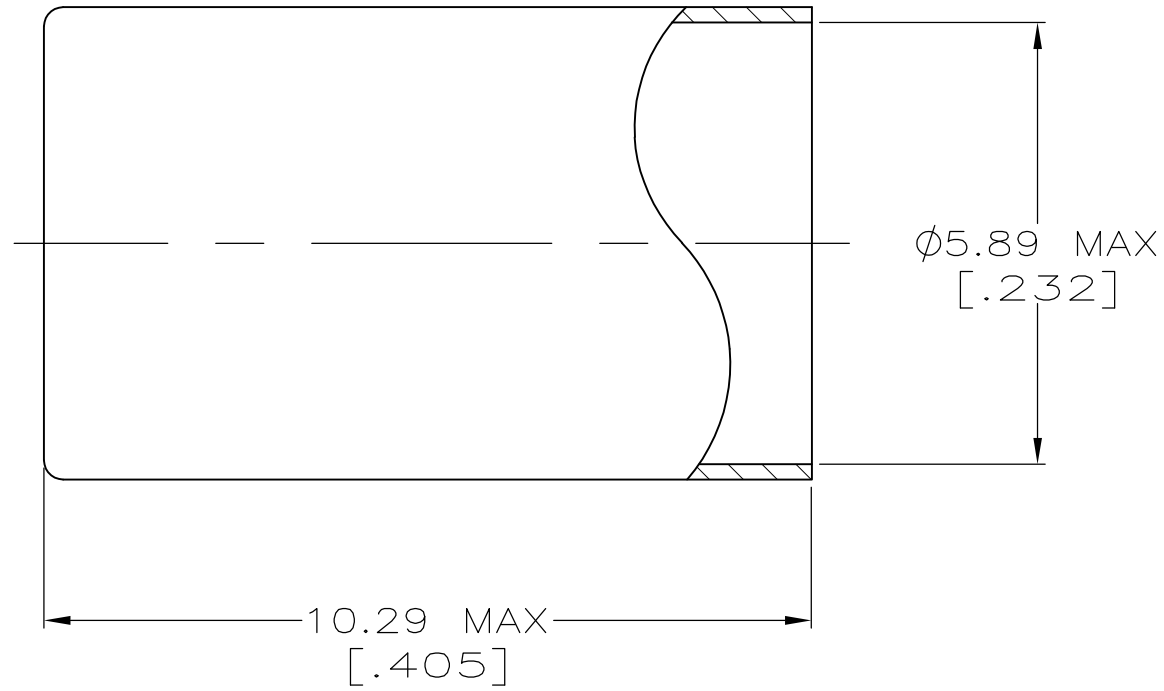
---

© COPYRIGHT - By -

ALL RIGHTS RESERVED.

REVISIONS

P	LTR	DESCRIPTION	DATE	DWN	APVD
	S2	REVISED PER ECR-17-009545	07AUG2017	AS	RS



- 1. COPPER ALLOY
- △2 GOLD PLATE PER MIL-G-45204, 0.76µm [.000030] MIN THICKNESS.
- △3 SILVER PLATE PER QQ-S-365, 5.08µm [.000200] MIN THICKNESS.
- △4 TIN-LEAD PLATE PER ASTM-B-545, 2.54µm [.000100] MIN THICKNESS
- △5 MATTE TIN PLATE PER ASTM-B-545, 2.54µm [.000100] MIN THICKNESS

SUPERCEDED BY 9-329099-0	△3	9-329099-2
	△5	9-329099-1
OBSOLETE	△5	9-329099-0
	△2	1-329099-3
	△4	1-329099-1
SUPERCEDED BY 9-329099-2	△3	329099
	FINISH	PART NUMBER

THIS DRAWING IS A CONTROLLED DOCUMENT.		DWN MICHAEL E. COWHER 14NOV95	<b>STE</b> TE Connectivity			
DIMENSIONS: mm [INCHES]		CHK FRANK MORANA 14NOV95				
TOLERANCES UNLESS OTHERWISE SPECIFIED:		APVD FRANK MORANA 14NOV95	NAME			
0 PLC ± - 1 PLC ± - 2 PLC ± - 3 PLC ± - 4 PLC ± - ANGLES ± -		PRODUCT SPEC	FERRULE			
MATERIAL		APPLICATION SPEC	SIZE	CAGE CODE	DRAWING NO	RESTRICTED TO
△1	FINISH	WEIGHT	A3	00779	C-329099	-
	△2 △3 △4 △5	0.000000	CUSTOMER DRAWING		SCALE	SHEET
					10:1	1 OF 1
						REV S2

## X-ON Electronics

Largest Supplier of Electrical and Electronic Components

*Click to view similar products for [RF Connector Accessories](#) category:*

*Click to view products by [TE Connectivity](#) manufacturer:*

Other Similar products are found below :

[89674-0712](#) [F702RX24](#) [FERRULE-174](#) [R141802000](#) [R141805000](#) [R141842000](#) [R161862000](#) [R161862000W](#) [R280752000](#) [R280907000](#)  
[R694261906](#) [RFI21-13](#) [RFI75-13-D2](#) [RFI75-4-D2](#) [AX102906](#) [AX102907](#) [18097-0013](#) [HP-375](#) [HP-500](#) [2098-0294-00](#) [2098-3251-94](#) [KA-](#)  
[81-05](#) [89674-0805](#) [F1](#) [FERRULE-223](#) [202102-11](#) [213337-1](#) [220222-2](#) [24092671A](#) [24092678A](#) [R161841000](#) [R280468000](#) [R280510000](#)  
[R282862060](#) [RFI155-1](#) [RFI25-12-D3](#) [RFI25-5](#) [RFI25-5-D3](#) [RFI75-12-D2](#) [RFI75-2-D2](#) [RFI75-4-D3](#) [RFI77-6](#) [360HS001M2508M6](#) [4-](#)  
[1532137-4](#) [5-21085-0](#) [105274-1000](#) [111062-0490](#) [112122-SOD-LUG](#) [112-NUT-KNURL](#) [IPP-2014](#)