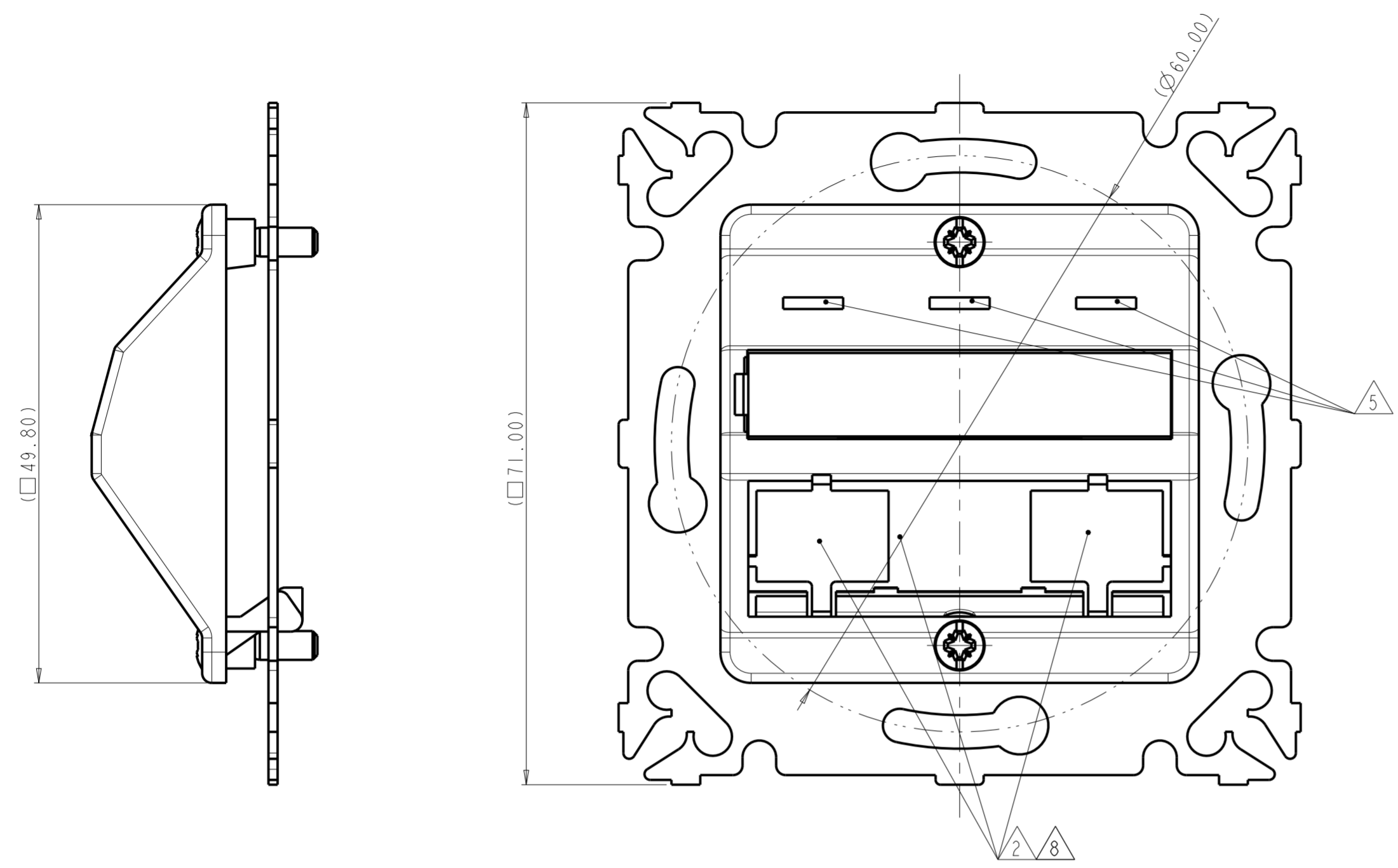


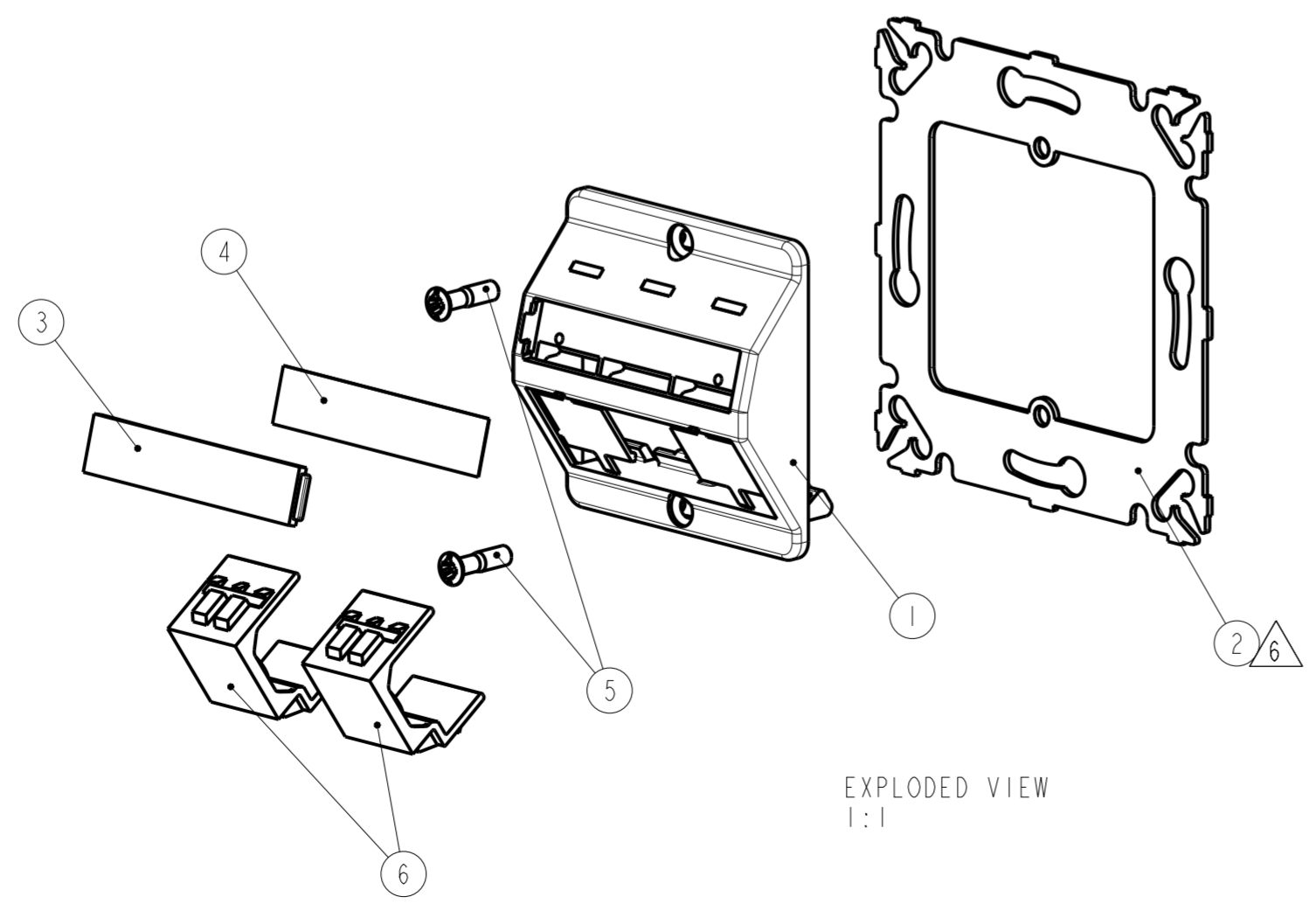
THIS DRAWING IS UNPUBLISHED. RELEASED FOR PUBLICATION
 © 2016 COMMSCOPE, INC. CONFIDENTIAL NOTICE: THESE DRAWINGS AND SPECIFICATIONS ARE THE PROPRIETARY PROPERTY OF COMMSCOPE, INC. AND MAY BE USED ONLY FOR THE SPECIFIC PURPOSE AUTHORIZED IN WRITING BY COMMSCOPE, INC.

REVISIONS				
P	LTR	DESCRIPTION	DATE	APVD
	D	REV PER BNS_CD_BRAND	02FEB2017	GG DC



- 1 PACKAGING UNIT:
1 KIT PACKED INTO 1 BAG,
AND 10 BAGS + 1 APPLICATION SPEC. PACKED INTO 1 CARDBOARD BOX
- 2 OPENINGS ACCEPT AMP NETCONNECT SL SERIES,
TOOL-LESS, 110 JACKS (UNSHIELDED AND SHIELDED) AND BLANK INSERTS
- 3. DIMENSIONS FOR REFERENCE ONLY
- 4. LABEL (ITEM 4) AND LABEL COVER (ITEM 3) NOT ASSEMBLED ONTO FACEPLATE
- 5 ICONABLE ZONE
- 6 ITEM 2 ACCORDING TO STANDARDS
- 7. SL SERIES CONNECTORS: ORDERED SEPARATELY
PLASTIC FRAME: ORDERED SEPARATELY
SL BLANK INSERT (ITEM 6): INCLUDED IN KIT
- 8 BREAKABLE BLANK TAP

- 1 UNIDAD DE EMBALAJE:
1 CONJUNTO EMBALADO EN 1 BOLSA,
Y 10 BOLSAS + 1 ESPECIFICACIÓN DE APLICACIÓN EMBALADAS EN UNA CAJA
- 2 LAS ABERTURAS ACEPTAN LAS SERIES SL DE AMP NETCONNECT,
TOOL-LESS, 110 JACKS (UNSHIELDED/SHIELDED) E INSERTS CIEGOS
- 3. DIMENSIONES MOSTRADAS SÓLO COMO REFERENCIA
- 4. LABEL (ITEM 4) Y LABEL COVER (ITEM 3) NO MONTADOS EN EL FACEPLATE
- 5 ZONA PARA ICONOS
- 6 ITEM 2 DE ACUERDO A STANDARDS
- 7. CONECTORES DE LA SERIE SL: NO INCLUIDOS EN EL KIT
PLASTIC FRAME: NO INCLUIDO EN EL KIT
SL BLANK INSERT (ITEM 6): INCLUIDO EN EL KIT
- 8 TAPETA ROMPIBLE



EXPLODED VIEW
1:1

QTY	QTY	MATERIAL	DESCRIPTION	ITEM
1/10	1/10	PAPER	APPLICATION SPEC.	-
-	2	ABS	INSERT, BLANK, SL SERIES, ALMOND	6
2	-	ABS	INSERT, BLANK, SL SERIES, WHITE	6
2	2	STEEL	FACEPLATE SCREW (M3)	5
1	1	PAPER	SET OF 5 LABELS (9 mm)	4
1	1	PC	LABEL COVER	3
1	1	STEEL	SHEET METAL FRAME, 71x71	2
-	1	PC	FACEPLATE 50x50, ALMOND; RAL 1013	1
1	-	PC	FACEPLATE 50x50, WHITE: RAL 9010	1
2-1	1	-1	MATERIAL	DESCRIPTION
				ITEM

THIS DRAWING IS A CONTROLLED DOCUMENT.		DWN A. CARRERAS 25 APR 2001	COMMSCOPE, INC.	
DIMENSIONS: mm		CHK E. FRIAS 21 MAR 2002		
TOLERANCES UNLESS OTHERWISE SPECIFIED:		APVD J. SANABRA 02 JUL 2003	NAME 3 PORT DIN INSTALLATION KIT, FOR AMP NETCONNECT SL VERSION, WITHOUT PLASTIC FRAME	
0 PLC ± 1 PLC ± 2 PLC ± 3 PLC ± 4 PLC ± ANGLES ± FINISH -		PRODUCT SPEC -	SIZE A2	
MATERIAL SEE TABLE		APPLICATION SPEC 114-22025	CAGE CODE C-336613	
		WEIGHT -	DRAWING NO. C-336613	
		CUSTOMER DRAWING	RESTRICTED TO -	
		SCALE 2:1	SHEET 1 OF 1	
			REV D	

X-ON Electronics

Largest Supplier of Electrical and Electronic Components

Click to view similar products for [Modular Connectors / Ethernet Connectors](#) category:

Click to view products by [TE Connectivity](#) manufacturer:

Other Similar products are found below :

[8949-H88/06BLKA/SN](#) [74441-0010/BKN](#) [MP1010RX-1000](#) [MP44RX-1000](#) [PHJ-4P4C-1-V-4](#) [PHP-6P6C-5](#) [GAX-3-66](#) [GAX-8-62](#) [GDCX-PA-66-50](#) [GDCX-PN-64](#) [GDCX-PN-66](#) [GDCX-PN-66-50](#) [GDLX-A-66](#) [GDLX-N-66](#) [GDLX-S-66](#) [GDLX-S-88K](#) [GDLX-SMT-S-88](#) [GDTX-S-88-50](#) [GDX-PA-1010](#) [GLX-N-1010M-BLK](#) [GLX-S-88M-BLK](#) [GMX-N-1010](#) [GMX-S-1010](#) [GMX-S-66](#) [GMX-SMT4-N-88](#) [GPX-2-64](#) [GSGX-N-2-88](#) [GSGX-N-4-88](#) [GSX-NS2-88-3.05](#) [GSX-NS2-88-3.05-50](#) [GSX-NS-88-3.05-50](#) [PT-108A-8C-UL](#) [PT-J951-8C](#) [PTS-J531-8CS-50UL](#) [1-1775629-2](#) [A-2014-0-4](#) [GWLX-S-88-GR](#) [GWLX-S9-88-YG](#) [DC-1021-8-WH-6](#) [1300530003](#) [1324640-4](#) [RJ11FTVC2G](#) [RJ11FTVC2N](#) [RJFTVX2SA1G](#) [132764-001](#) [1413235](#) [MP88X-1000](#) [MPS88RX-5000](#) [E5288-S000K3-L](#) [E5908-15A242-L](#)