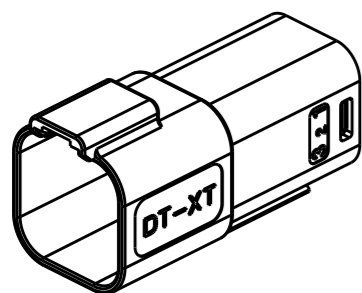
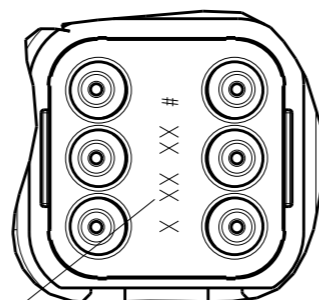


REVISIONS

P	LTR	DESCRIPTION	DATE	DWN	APVD
	A	INITIAL RELEASE	19JUN2020	J.G	I.Y
	A1	ECR-20-010349	26JUL2020	J.G	I.Y



6CCT RECEPTACLE CONNECTOR



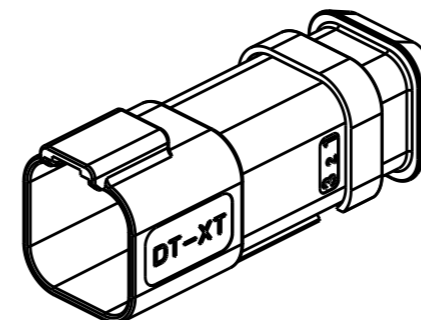
DETAIL B
SCALE 2:1

DATE CODE: X XX XX
 X- DAY: 1- 7
 XX- WEEK: 01 - 52
 XX- YEAR: 00 - 99

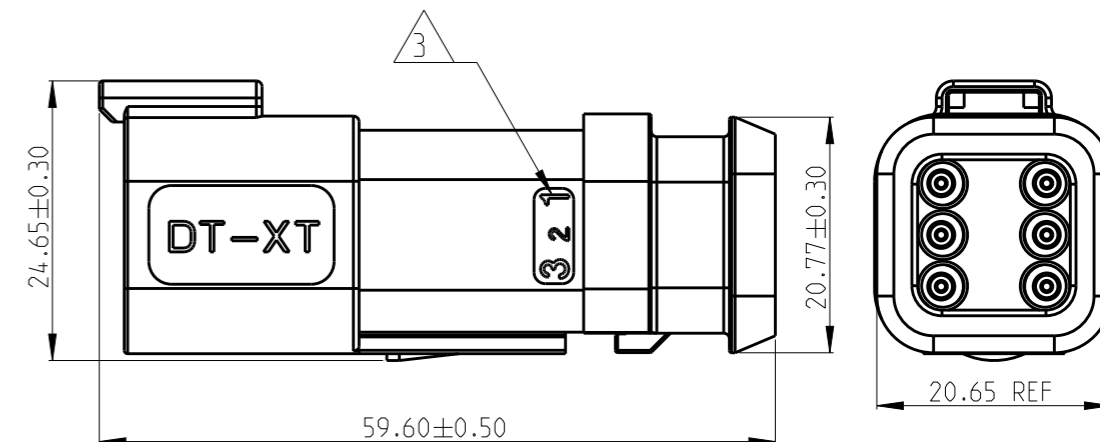
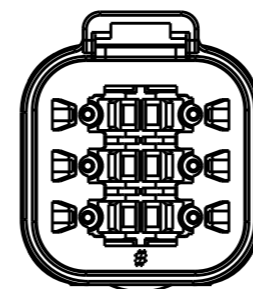
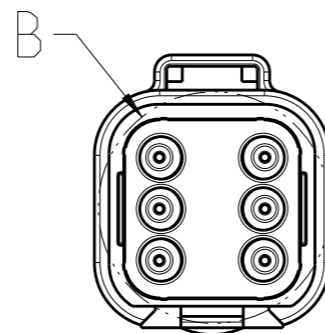
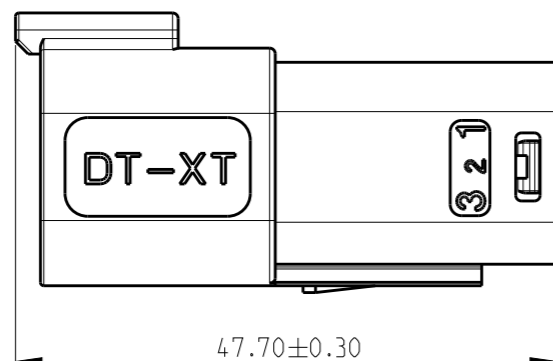
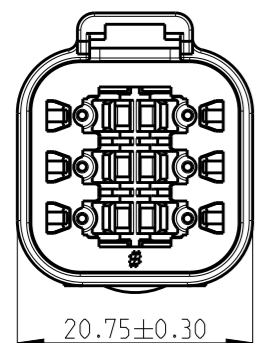
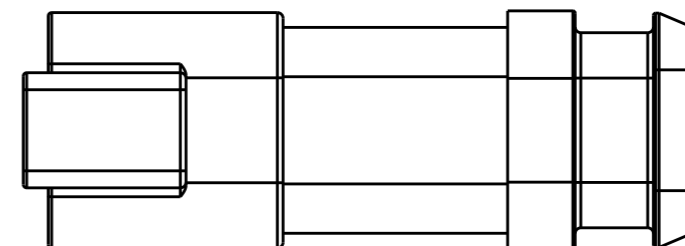


#- MACHINE NO. 1

EXAMPLE: 11315 = DAY 1, WEEK 13, YEAR 15
 i.e. 23rd OF MARCH 2015



6CCT RECEPTACLE CONNECTOR WITH
HEATSHRINK HOUSING ULTRASONICALLY
WELDED IN PLACE



1. THIS RECEP MATES WITH PLUG ASSEMBLY PN X-2600035-X.

2. MATERIALS
 RECEPTACLE HOUSING: NYLON GF30, SEE PN TABLE FOR COLOUR
 BACK SEAL: SILICONE RUBBER
 BACK COVER: NYLON GF30, BLACK
 HEATSHRINK HOUSING: NYLON GF30, BLACK

3 CIRCUIT IDENTIFICATION

4 DATE CODE DESCRIPTION

5. JACKET RANGE LARGE = Ø2.23MM TO 3.68MM (SEAL COLOUR: LIGHT BLUE)
 JACKET RANGE SMALL = Ø1.35MM TO 3.05MM (SEAL COLOUR: BURNT ORANGE)

6. SEE SHEET 2 FOR FINAL PART NUMBER

THIS DRAWING IS A CONTROLLED DOCUMENT.

DIMENSIONS:	TOLERANCES UNLESS OTHERWISE SPECIFIED:
mm	
	0 PLC ±
	1 PLC ±
	2 PLC ±
	3 PLC ±
	4 PLC ±
	ANGLES ±
MATERIAL -	FINISH -

DWN	J.GU	26JUL2020
CHK	E. JIANG	26JUL2020
APVD	L.YIN	26JUL2020
PRODUCT SPEC	108-160026	
APPLICATION SPEC	114-160017	
WEIGHT	-	



NAME 6CCT DT-XT CONNECTOR RECEPTACLE ASSEMBLY			
SIZE	CAGE CODE	DRAWING NO	RESTRICTED TO
A3	00779	C=2600034	-
CUSTOMER DRAWING;RESTRICTED CUSTOMER		SCALE 1:1	SHEET 1 OF 2 REV A1

THIS DRAWING IS UNPUBLISHED.

RELEASED FOR PUBLICATION

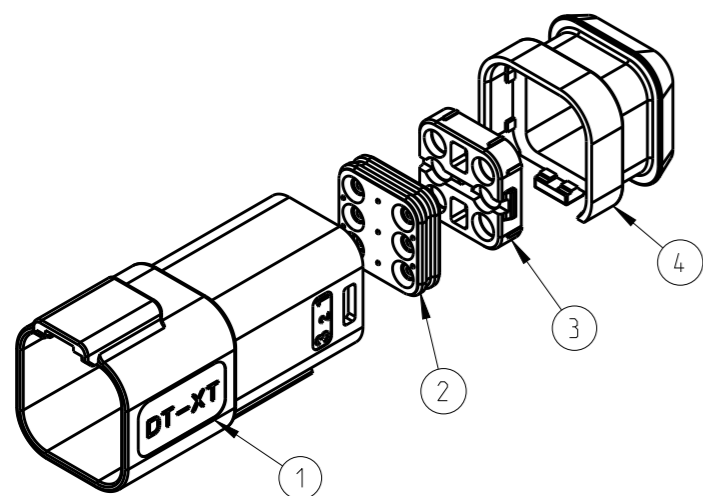
20

© COPYRIGHT 2020 TE Connectivity. All Rights Reserved.

ALL RIGHTS RESERVED.

REVISIONS

P	LTR	DESCRIPTION	DATE	DWN	APVD
		SEE SHEET 1			



TE PN	ALIAS PN	REVISION OF EACH ASSY NO.	WEIGHT OF EACH ASSY(g)	COLOR	BLACK	GERY	GREEN	BLUE	YELLO W	WHIT E	BROW N	ORANG E	RED	BURNT ORANGE	LIGHT BLUE	BLACK	BLACK	
3--6	934444609	-	12.12		-	-	-	-	-	-	-	-	1	-	1	1	1	
3--5	934444608	-	12.12		-	-	-	-	-	-	-	1	-	-	1	1	1	
3--4	934444607	-	12.12		-	-	-	-	-	1	-	-	-	-	1	1	1	
3--3	934444606	-	12.12		-	-	-	-	-	1	-	-	-	-	1	1	1	
3--2	934444605	-	12.12		-	-	-	-	1	-	-	-	-	-	1	1	1	
3--1	934444604	-	12.12		-	-	-	1	-	-	-	-	-	-	1	1	1	
3--0	934444603	-	12.12		-	-	-	-	-	-	-	-	-	-	1	1	1	
2--9	934444602	-	12.12		-	1	-	-	-	-	-	-	-	-	1	1	1	
2--8	934444601	-	12.12		1	-	-	-	-	-	-	-	-	-	1	1	1	
2--7	934444509	-	12.12		-	-	-	-	-	-	-	1	1	-	1	1	1	
2--6	934444508	-	12.12		-	-	-	-	-	-	1	-	1	-	1	1	1	
2--5	934444507	-	12.12		-	-	-	-	-	1	-	-	1	-	1	1	1	
2--4	934444506	-	12.12		-	-	-	-	-	1	-	-	1	-	1	1	1	
2--3	934444505	-	12.12		-	-	-	1	-	-	-	-	1	-	1	1	1	
2--2	934444504	-	12.12		-	-	-	1	-	-	-	-	1	-	1	1	1	
2--1	934444503	-	12.12		-	-	1	-	-	-	-	-	1	-	1	1	1	
2--0	934444502	-	12.12		-	1	-	-	-	-	-	-	1	-	1	1	1	
1--9	934444501	-	12.12		1	-	-	-	-	-	-	-	1	-	1	1	1	
1--8	934444209	-	9.35		-	-	-	-	-	-	-	1	-	1	1	1	-	
1--7	934444208	-	9.35		-	-	-	-	-	-	1	-	-	1	1	1	-	
1--6	934444207	-	9.35		-	-	-	-	-	1	-	-	-	1	1	1	-	
1--5	934444206	-	9.35		-	-	-	-	1	-	-	-	-	1	1	1	-	
1--4	934444205	-	9.35		-	-	-	1	-	-	-	-	-	1	1	1	-	
1--3	934444204	-	9.35		-	-	-	1	-	-	-	-	-	1	1	1	-	
1--2	934444203	-	9.35		-	-	1	-	-	-	-	-	-	1	1	1	-	
1--1	934444202	-	9.35		-	1	-	-	-	-	-	-	-	1	1	1	-	
1--0	934444201	-	9.35		1	-	-	-	-	-	-	-	-	1	1	1	-	
-9	934444109	-	9.35		-	-	-	-	-	-	-	1	1	-	1	1	-	
-8	934444108	-	9.35		-	-	-	-	-	-	1	-	1	-	1	1	-	
-7	934444107	-	9.35		-	-	-	-	-	1	-	-	1	-	1	1	-	
-6	934444106	-	9.35		-	-	-	-	1	-	-	-	1	-	1	1	-	
-5	934444105	-	9.35		-	-	-	-	1	-	-	-	1	-	1	1	-	
-4	934444104	-	9.35		-	-	-	1	-	-	-	-	1	-	1	1	-	
-3	934444103	-	9.35		-	-	1	-	-	-	-	-	1	-	1	1	-	
-2	934444102	-	9.35		-	1	-	-	-	-	-	-	1	-	1	1	-	
-1	934444101	-	9.35		1	-	-	-	-	-	-	-	1	-	1	1	-	
				DESCRIPTION	RECEPTACLE HOUSING										BACK SEAL SMALL	BACK SEAL LARGE	BACK COVER	HEATSHRINK HOUSING
				ITEM NO	1										2		3	4

QTY. REQUEST PER ASSY

THIS DRAWING IS A CONTROLLED DOCUMENT.

DIMENSIONS: mm	TOLERANCES UNLESS OTHERWISE SPECIFIED:
	0 PLC ±
	1 PLC ±
	2 PLC ±
	3 PLC ±
	4 PLC ±
	ANGLES ±

MATERIAL	FINISH
-	-

DWN	J.GU	26JUL2020
CHK	E. JIANG	26JUL2020
APVD	L. YIN	26JUL2020
PRODUCT SPEC	108-160026	
APPLICATION SPEC	114-160017	
WEIGHT	-	

STE TE Connectivity

NAME: 6CCT DT-XT CONNECTOR RECEPTACLE ASSEMBLY

SIZE	CAGE CODE	DRAWING NO	RESTRICTED TO
A3	00779	©=2600034	-

CUSTOMER DRAWING; RESTRICTED CUSTOMER SCALE 1:1 SHEET 2 OF 2 REV A1

X-ON Electronics

Largest Supplier of Electrical and Electronic Components

Click to view similar products for [Automotive Connectors](#) category:

Click to view products by [TE Connectivity](#) manufacturer:

Other Similar products are found below :

[003-018-000](#) [60403001](#) [60993906-B](#) [M902-2131](#) [M902-2161](#) [72.330.1035.1](#) [73.353.4028.0](#) [F119300-B](#) [F166900](#) [F258300-B](#) [F358300-B](#)
[F407400](#) [F444110](#) [F487000](#) [F509500B-B](#) [827153-1](#) [8N1515-32-24P](#) [9-1326729-8](#) [925474-1](#) [928905-1](#) [964562-4](#) [968782-1](#) [GT17SA-8DS-](#)
[HU](#) [98891-1012](#) [98947-1016](#) [12004147](#) [12004475-L](#) [12010290](#) [12010309-B](#) [12015454](#) [12020219-B](#) [12020308](#) [12041318-B](#) [12052225-L](#)
[12052466](#) [12059125](#) [12064869](#) [12004327-B](#) [12010503-B](#) [12015308](#) [12015384](#) [12015909](#) [1-21030-1](#) [12041254](#) [12041318](#) [12047946-B](#)
[12047957](#) [12047957-L](#) [12059473](#) [12066261](#)