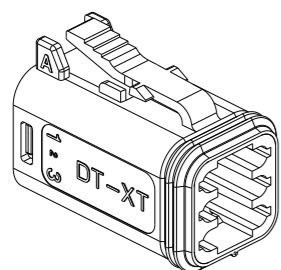
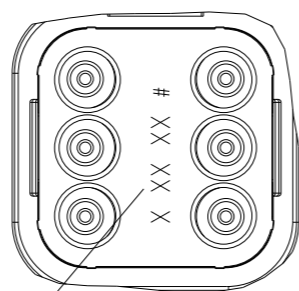


REVISIONS

P	LTR	DESCRIPTION	DATE	DWN	APVD
	A	INITIAL RELEASE	19JUN2020	J.G	I.Y
	A1	ECR-20-010349	26JUL2020	J.G	I.Y
	A2	ECN-21-113425	17AUG2021	J.G	Z.Z



6CCT PLUG CONNECTOR



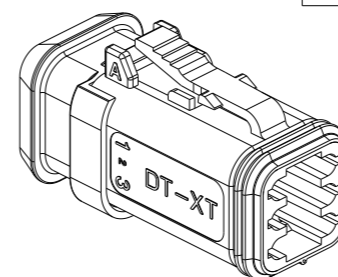
DETAIL A
SCALE 2:1



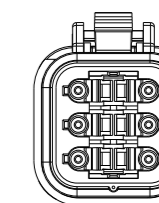
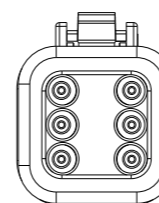
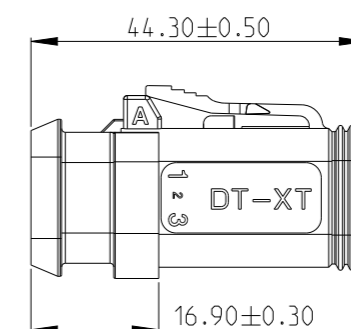
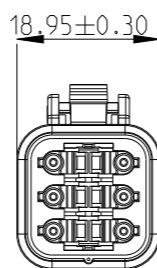
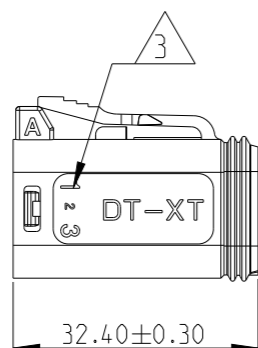
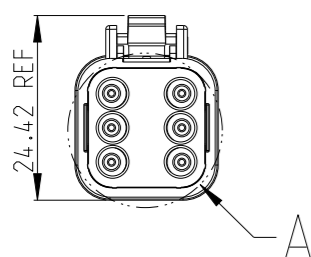
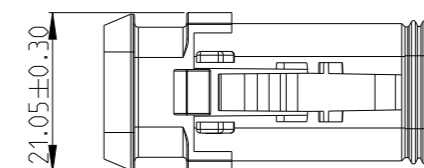
DATE CODE: X XX XX
 X- DAY: 1- 7
 XX- WEEK: 01 - 52
 XX- YEAR: 00 - 99

#- MACHINE NO. 1

EXAMPLE: 11315 = DAY 1, WEEK 13, YEAR 15
 i.e. 23rd OF MARCH 2015



6CCT PLUG CONNECTOR WITH
HEATSHRINK HOUSING ULTRASONICALLY
WELDED IN PLACE



1. THIS PLUG MATES WITH RECEPTACLE ASSEMBLY PN X-2600034-X, WEDGE LOCK PN W6S.

2. MATERIALS
 PLUG HOUSING: NYLON GF30, SEE PN TABLE FOR COLOUR; PLUG SEAL: SILICONE RUBBER, RED
 BACK SEAL: SILICONE RUBBER
 BACK COVER: NYLON GF30, BLACK
 HEATSHRINK HOUSING: NYLON GF30, BLACK

3 CIRCUIT IDENTIFICATION

4 DATE CODE DESCRIPTION

5. JACKET RANGE LARGE = Ø2.23MM TO 3.68MM (SEAL COLOUR: LIGHT BLUE)
 JACKET RANGE SMALL = Ø1.35MM TO 3.05MM (SEAL COLOUR: BURNT ORANGE)

6. SEE SHEET 2 FOR FINAL PART NUMBER

THIS DRAWING IS A CONTROLLED DOCUMENT.

DIMENSIONS:	TOLERANCES UNLESS OTHERWISE SPECIFIED:
mm	
	0 PLC ±
	1 PLC ±
	2 PLC ±
	3 PLC ±
	4 PLC ±
	ANGLES ±
MATERIAL -	FINISH -

DWN	J.GU	19JUN2020
CHK	E. JIANG	19JUN2020
APVD	I.YIN	19JUN2020
PRODUCT SPEC	108-160026	
APPLICATION SPEC	114-160017	
WEIGHT	-	

TE Connectivity		NAME		RESTRICTED TO
		6CCT DT-XT CONNECTOR PLUG ASSEMBLY		
SIZE	CAGE CODE	DRAWING NO		
A3	00779	©-2600035		
CUSTOMER DRAWING; RESTRICTED CUSTOMER		SCALE	SHEET	REV
		1:1	1 OF 2	A2

THIS DRAWING IS UNPUBLISHED.

RELEASED FOR PUBLICATION

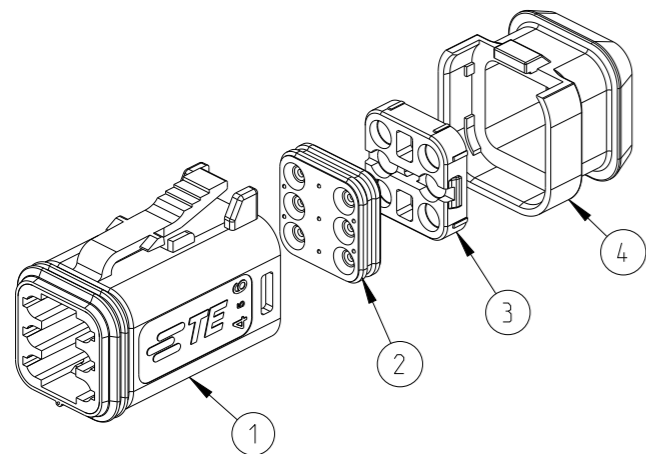
20

REVISIONS

© COPYRIGHT 2020 TE Connectivity. All Rights Reserved.

ALL RIGHTS RESERVED.

P	LTR	DESCRIPTION	DATE	DWN	APVD
		SEE SHEET 1			



3--6	934454609	-	10.92
3--5	934454608	-	10.92
3--4	934454607	-	10.92
3--3	934454606	-	10.92
3--2	934454605	-	10.92
3--1	934454604	-	10.92
3--0	934454603	-	10.92
2--9	934454602	-	10.92
2--8	934454601	-	10.92
2--7	934454509	-	10.92
2--6	934454508	-	10.92
2--5	934454507	-	10.92
2--4	934454506	-	10.92
2--3	934454505	-	10.92
2--2	934454504	-	10.92
2--1	934454503	-	10.92
2--0	934454502	-	10.92
1--9	934454501	-	10.92
1--8	934454209	-	8.16
1--7	934454208	-	8.16
1--6	934454207	-	8.16
1--5	934454206	-	8.16
1--4	934454205	-	8.16
1--3	934454204	-	8.16
1--2	934454203	-	8.16
1--1	934454202	-	8.16
1--0	934454201	-	8.16
-9	934454109	-	8.16
-8	934454108	-	8.16
-7	934454107	-	8.16
-6	934454106	-	8.16
-5	934454105	-	8.16
-4	934454104	-	8.16
-3	934454103	-	8.16
-2	934454102	-	8.16
-1	934454101	-	8.16

QTY. REQUEST PER ASSY

TE PN	ALIAS PN	REVISION OF EACH ASSY NO.	WEIGHT OF EACH ASSY(g)	COLOR															
				BLACK	GERY	GREEN	BLUE	YELLO W	WHIT E	BROW N	ORANG E	RED	BURNT ORANGE	LIGHT BLUE	BLACK	BLACK			
				NYLON GF30	NYLON GF30	NYLON GF30	NYLON GF30	NYLON GF30	NYLON GF30	NYLON GF30	NYLON GF30	NYLON GF30	NYLON GF30	NYLON GF30	SILICONE RUBBER	SILICONE RUBBER	NYLON GF30	NYLON GF30	
				PLUG HOUSING												BACK SEAL SMALL	BACK SEAL LARGE	BACK COVER	HEATSHRINK HOUSING
				1												2		3	4

THIS DRAWING IS A CONTROLLED DOCUMENT.

DIMENSIONS: mm		TOLERANCES UNLESS OTHERWISE SPECIFIED:	
		0 PLC	±
		1 PLC	±
		2 PLC	±
		3 PLC	±
MATERIAL		ANGLES	±
		FINISH	

DWN	J.GU	19 JUN 2020
CHK	E. JIANG	19 JUN 2020
APVD	L. YIN	19 JUN 2020
PRODUCT SPEC	108-160026	
APPLICATION SPEC	114-160017	
WEIGHT	-	

STE TE Connectivity

NAME: 6CCT DT-XT CONNECTOR PLUG ASSEMBLY

SIZE	CAGE CODE	DRAWING NO	RESTRICTED TO
A3	00779	C=2600035	-

CUSTOMER DRAWING; RESTRICTED CUSTOMER SCALE 1:1 SHEET 2 OF 2 REV A2

X-ON Electronics

Largest Supplier of Electrical and Electronic Components

Click to view similar products for [Automotive Connectors](#) category:

Click to view products by [TE Connectivity](#) manufacturer:

Other Similar products are found below :

[003-018-000](#) [60993906-B](#) [M902-2131](#) [M902-2161](#) [M902-2344](#) [72.330.1035.1](#) [73.353.4028.0](#) [F166900](#) [F358300-B](#) [F407400](#) [776880-1](#)
[827153-1](#) [8N1515-32-24P](#) [9-1326729-8](#) [925474-1](#) [928905-1](#) [964562-4](#) [968782-1](#) [98891-1012](#) [12004475-L](#) [12020308](#) [12041318-B](#)
[12052466](#) [12064869](#) [12015909](#) [1-21030-1](#) [12041254](#) [12041318](#) [12047946-B](#) [12110546-B](#) [12131792](#) [12084688](#) [12092346](#) [HD34-18-14PT](#)
[HD46-24-23SN-059](#) [HDB36-24-16PN-059](#) [HDP26-24-9SE-L015](#) [12185280](#) [12185550](#) [12336-12](#) [12191172-B](#) [12S](#) [13545280](#) [13577943](#)
[13681974](#) [13737722-B](#) [13830674](#) [13832576](#) [13849772](#) [13542772](#)