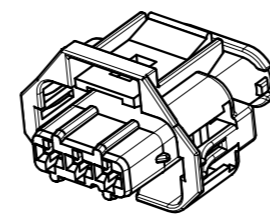


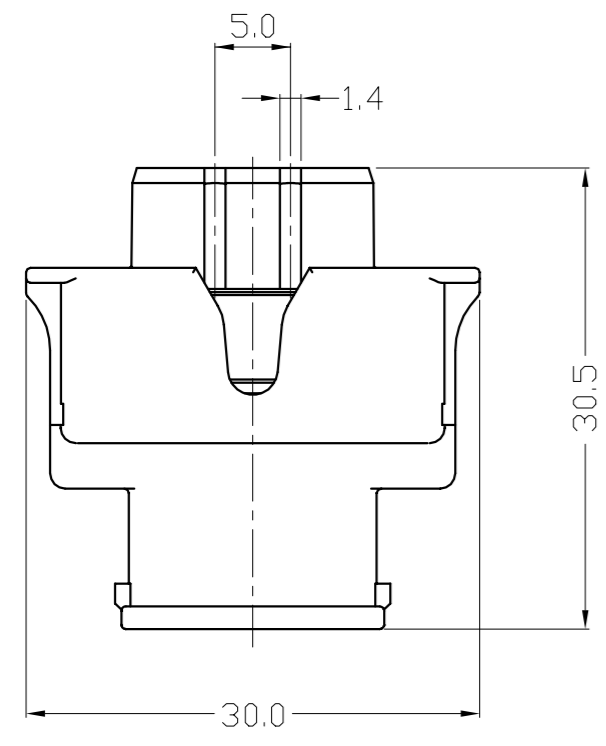
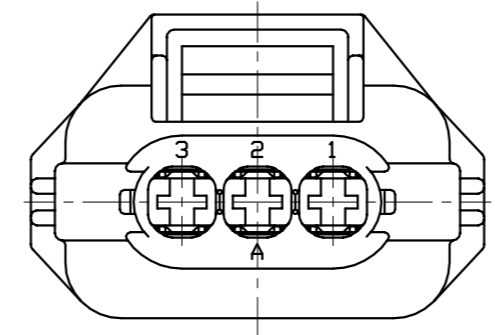
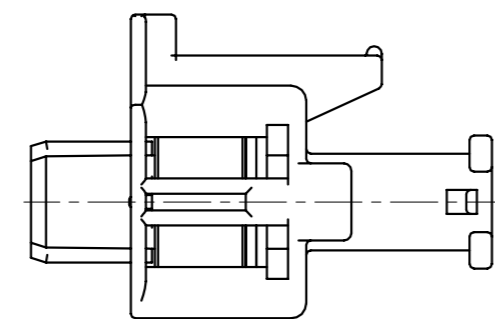
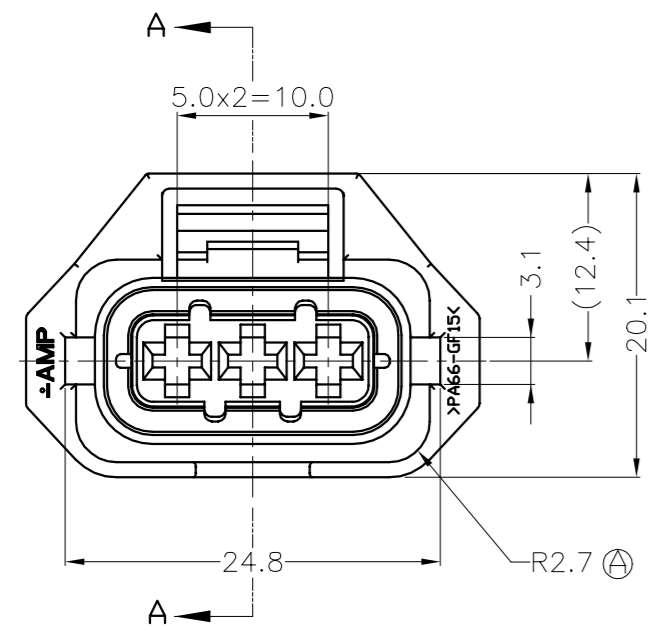
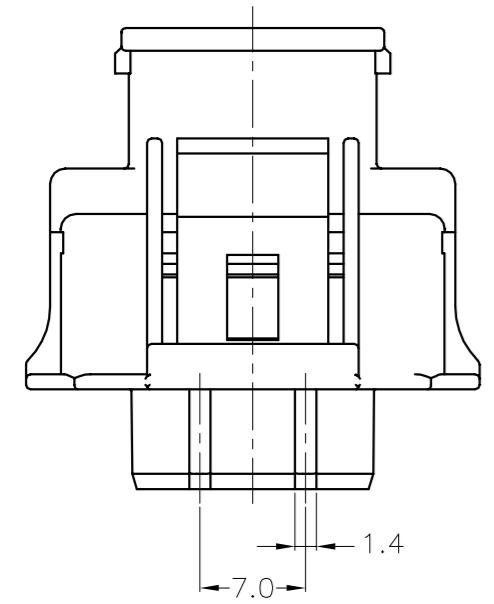
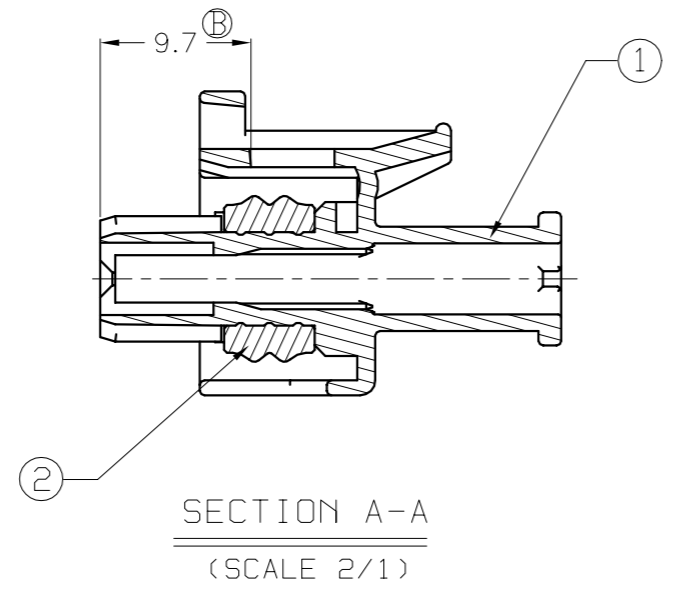
THIS DRAWING IS UNPUBLISHED. RELEASED FOR PUBLICATION
 © COPYRIGHT BY TYCO ELECTRONICS CORPORATION. ALL RIGHTS RESERVED.

REVISIONS					
P	LTR	DESCRIPTION	DATE	DWN	APVD
C		REVISED (FC00-0140-03)	01.OCT.'03	HS	CS
D		REVISED (ECR-13-000208)	08.JAN.'13	JM	HG
D1		REVISED (ECR-14-014192)	29.SEP.'14	JM	HG
E		REVISED (ECR-20-012240)	31.AUG.'20	YH	YJ

ASSEMBLY



3D VIEW (SCALE 1/1)



NOTE ;

- 1. 0.15 MAX. WARPAGE AND 0.2 MAX. FLASH ARE PERMISSIBLE
- 2. SURFACE DEFECTS ARE NOT ACCEPTABLE AS FOLLOW: SINK, WELD LINES, HAIRCRACKS, STAINS & SCORES
- 3. APPLIED RECEPTACLE CONTACT P/N:

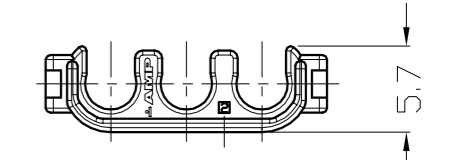
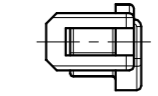
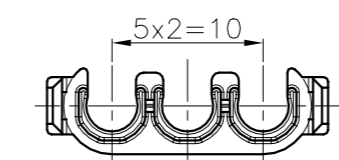
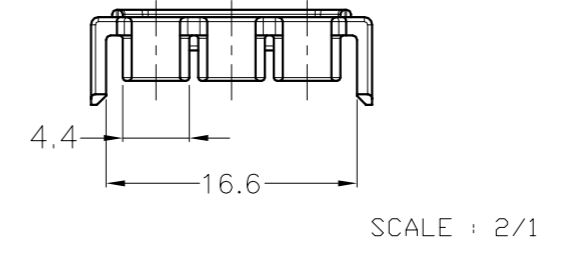
DESCRIPTION	2.8mm SENSOR-FLAT RECEPTACLE	
Part NO.	967542	967543
WIRE SIZE(mm ²)	0.5 ~ 1.0	1.25 ~ 2.5

- 4. APPLIED WIRE SEAL P/N:

DESCRIPTION	SINGLE-WIRE SEAL(5mm HoLe)	
Part NO.	828904	828905
INSULATION DIA.(φ)	1.2 ~ 2.1mm	2.2 ~ 3.0mm

ACCESSORIES DRAWING

① 1. DBL HSG : P/N:936106



3D VIEW(SCALE 1:1)

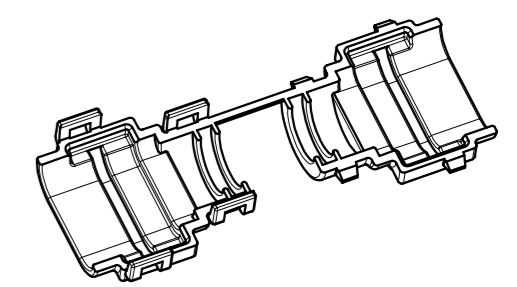
NOTE ;
 ① 1) MATERIAL : PBT

② 2. COVER HSG : P/N:936112

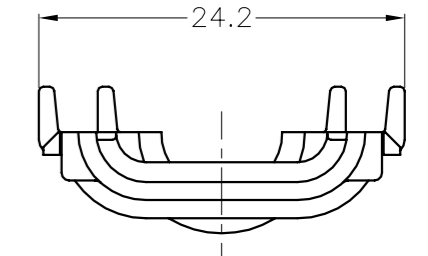
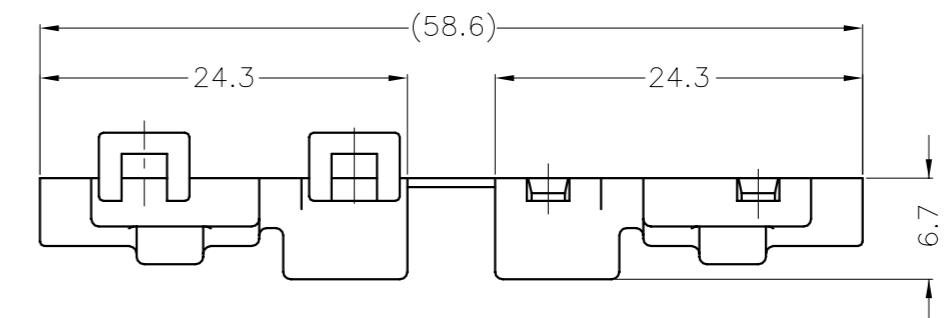
SCALE : 2/1

NOTE ;

- ① 1) MATERIAL : NYLON 66
- 2) CORRUGATOR DIAMETER : φ7.0



3D VIEW(SCALE 1:1)



Q'TY	P/N	DESCRIPTION	MATERIAL	COLOR	NO
1	936801-4	INNER SEAL	SILICONE(LSR)	TRAFFIC RED	2
1	936801-2	INNER SEAL	SILICONE(LSR)	GRAY	2
1	1-936105-1	PLUG HSG	PA 66 GF15	BLACK	1

ASSEMBLY P/N 936061-200 936061-1 E	THIS DRAWING IS A CONTROLLED DOCUMENT FOR TYCO ELECTRONICS CORPORATION IT IS SUBJECT TO CHANGE AND THE CONTROLLING ENGINEERING ORGANIZATION SHOULD BE CONTACTED FOR THE LATEST REVISION.		DWN : JM JEON		
	DIMENSIONS: MM		CHK : JW JUNG		
	TOLERANCES UNLESS OTHERWISE SPECIFIED: 0 <XX<10 ± 0.2 10<XX<30 ± 0.25 30<XX ± 0.3 ANGLES ± 3°		APVD : HG CHO	NAME	
	3rd ANGLE PROJECTION		PRODUCT SPEC	2.8mm SEALED 3P PLUG ASSEMBLY	
MATERIAL		FINISH	APPLICATION SPEC	SIZE	CAGE CODE
SEE TABLE		---	114-18144	DRAWING NO	
			WEIGHT	RESTRICTED TO	
				A200779C-936061	
				SCALE 2/1 SHEET 1 OF 1 REV E	

X-ON Electronics

Largest Supplier of Electrical and Electronic Components

Click to view similar products for [Automotive Connectors](#) category:

Click to view products by [TE Connectivity](#) manufacturer:

Other Similar products are found below :

[003-018-000](#) [60993906-B](#) [72.330.1035.1](#) [776880-1](#) [827153-1](#) [9-1326729-8](#) [9-221607-5](#) [925474-1](#) [928905-1](#) [964562-4](#) [968782-1](#) [12004468](#)
[12004475-L](#) [12004483](#) [12052466](#) [12066163](#) [12015909](#) [12077753](#) [1-21030-1](#) [12047957](#) [12047958](#) [12084688](#) [12185550](#) [12336-12](#) [1-](#)
[326211-1](#) [13681974](#) [13688972](#) [13755420](#) [13779834](#) [13783086](#) [13843152](#) [13522378](#) [13581967](#) [13669624](#) [13675513](#) [13753471](#) [13946876](#)
[13953457](#) [13955963](#) [13964573](#) [13971791](#) [13790534-L](#) [13797473](#) [13805590](#) [13888202](#) [1428188-1](#) [1437287-3](#) [1428188-2](#) [DS07-19S-5020](#)
[1456983-5](#)