

4

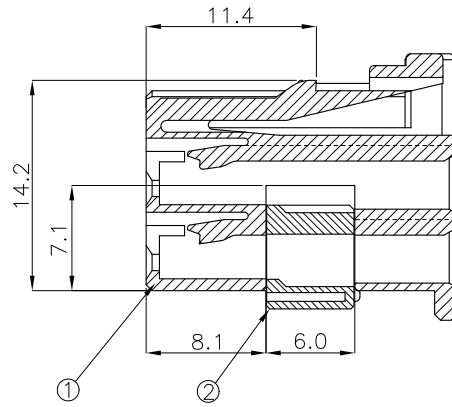
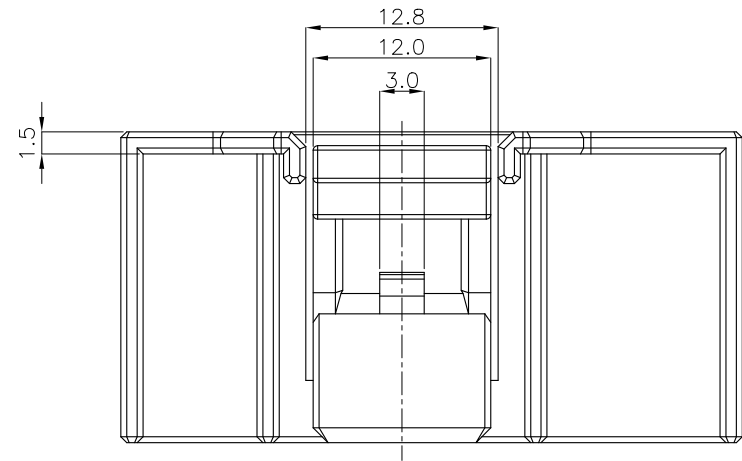
3

2

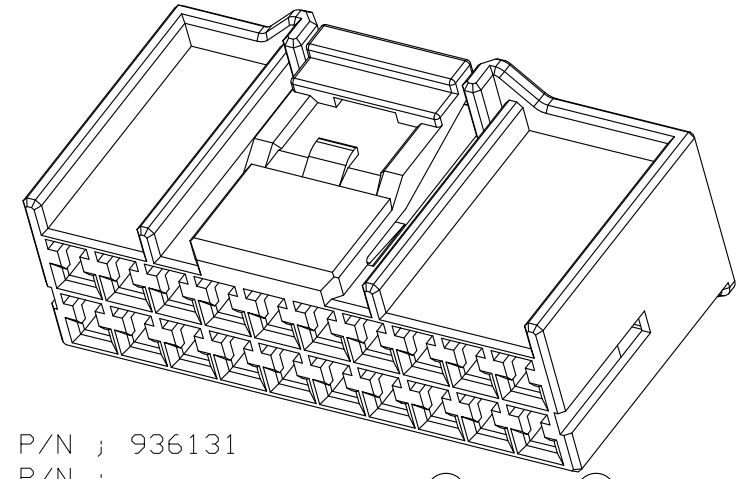
1

THIS DRAWING IS UNPUBLISHED. RELEASED FOR PUBLICATION
© COPYRIGHT BY TYCO ELECTRONICS CORPORATION, ALL RIGHTS RESERVED.

LOC	DIST	REVISIONS					
		P	LTR	DESCRIPTION	DATE	DWN	APVD
DS	-		C	REVISED (ECR-06-023177)	09.OCT.'06	BS	JK
			C1	REVISED (ECR-09-005043)	24.MAR.'09	KT	HG



SECTION A-A

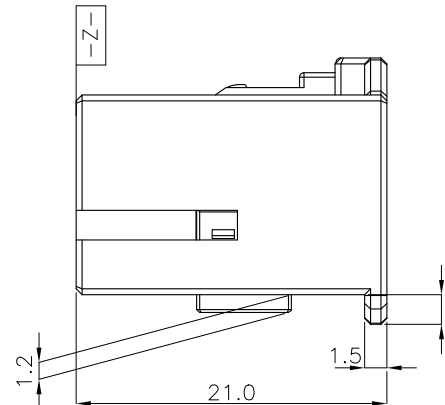
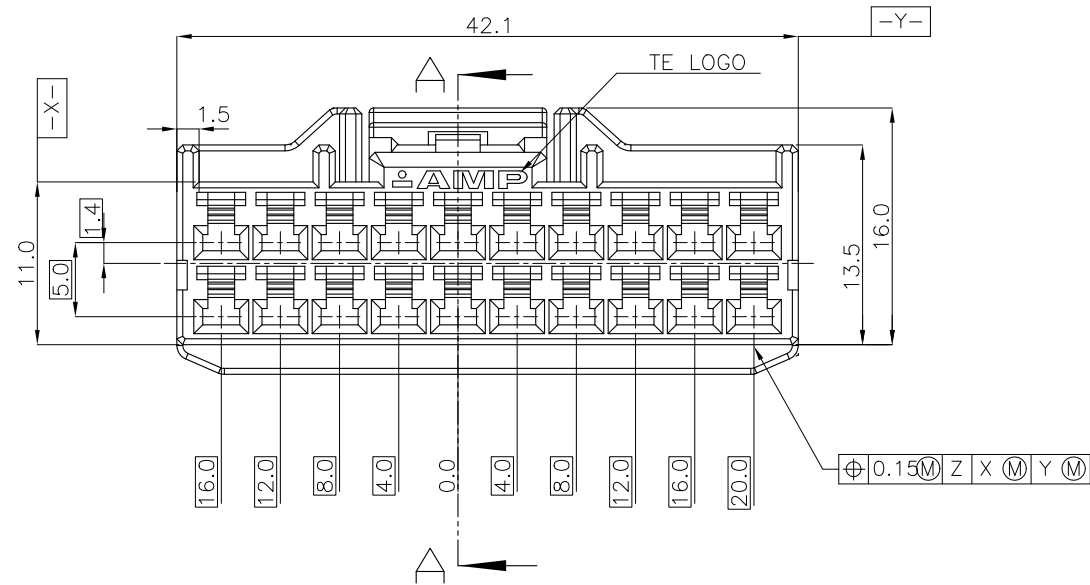


NOTES.

- 1. THE MATING HSG. P/N ; 936131
- 2. APPLIED CONTACT P/N ;
090 II REC.- 368083, 368084, 368085
090 III REC.- 1743654, 1743655, 1743656, 1897753, 1897598

-주 기-

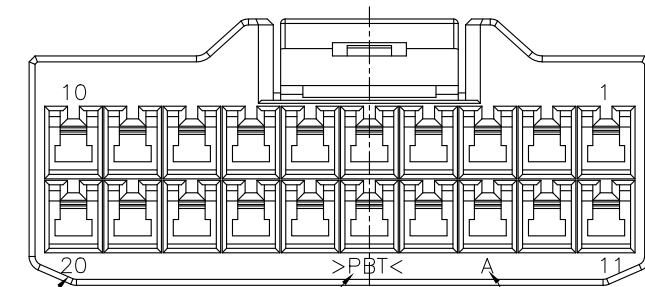
- 1. 상대 하우징 P/N. ; 936131
- 2. 적용단자 P/N. ; 090 II REC.- 368083, 368084, 368085
090 III REC.- 1743654, 1743655, 1743656, 1897753, 1897598



CIRCUIT NO.

MATERIAL MARK

CAVITY MARK



ASSY P/N
0-936095-8
0-936095-6
0-936095-5
0-936095-4
0-936095-3
0-936095-2
0-936095-1

NO	COLOR	MATERIAL	DESCRIPTION	P/N	QTY
1	BLUE	PBT	PLUG	0-936096-8	1
	RED	PBT	PLUG	0-936096-6	1
	YELLOW	PBT	PLUG	0-936096-5	1
	BROWN	PBT	PLUG	0-936096-4	1
	D/GRAY	PBT	PLUG	0-936096-3	1
	BLACK	PBT	PLUG	0-936096-2	1
	NATURAL	PBT	PLUG	0-936096-1	1
2	NATURAL	PBT	DBL	0-936097-1	1 1 1 1 1 1 1 1

THIS DRAWING IS A CONTROLLED DOCUMENT FOR TYCO ELECTRONICS CORPORATION IT IS SUBJECT TO CHANGE AND THE CONTROLLING ENGINEERING ORGANIZATION SHOULD BE CONTACTED FOR THE LATEST REVISION.

DIMENSIONS: MM	TOLERANCES UNLESS OTHERWISE SPECIFIED: 0 <XX<10 ± 0.2 10<XX<30 ± 0.25 30<XX ± 0.3 ANGLES ± 3°
MATERIAL	FINISH
SEE TABLE	

DWN KT JUNG
CHK JW JUNG
APVD HG CHD
PRODUCT SPEC -
APPLICATION SPEC -
WEIGHT -

Tyco Electronics AMP KOREA, Kyungsan, Korea

NAME: 090III 20P PLUG ASS'Y

SIZE: A3 CAGE CODE: 00779 DRAWING NO: C-936095 RESTRICTED TO: -

CUSTOMER DRAWING SCALE: 2/1 SHEET: 1 OF 1 REV: C1

X-ON Electronics

Largest Supplier of Electrical and Electronic Components

Click to view similar products for [Automotive Connectors](#) category:

Click to view products by [TE Connectivity](#) manufacturer:

Other Similar products are found below :

[003-018-000](#) [60993906-B](#) [M902-2131](#) [M902-2161](#) [M902-2344](#) [72.330.1035.1](#) [73.353.4028.0](#) [F166900](#) [F358300-B](#) [F407400](#) [776880-1](#)
[827153-1](#) [8N1515-32-24P](#) [9-1326729-8](#) [925474-1](#) [928905-1](#) [964562-4](#) [968782-1](#) [98891-1012](#) [12004475-L](#) [12020308](#) [12041318-B](#)
[12052466](#) [12064869](#) [12015909](#) [1-21030-1](#) [12041254](#) [12041318](#) [12047946-B](#) [12047957](#) [12110546-B](#) [12131792](#) [12092346](#) [HD34-18-14PT](#)
[HD46-24-23SN-059](#) [HDB36-24-16PN-059](#) [HDP26-24-9SE-L015](#) [12185280](#) [12185550](#) [12336-12](#) [12147304](#) [12191172-B](#) [12S](#) [13545280](#)
[13577943](#) [13681974](#) [13737722-B](#) [13755420](#) [13783086](#) [13830674](#)