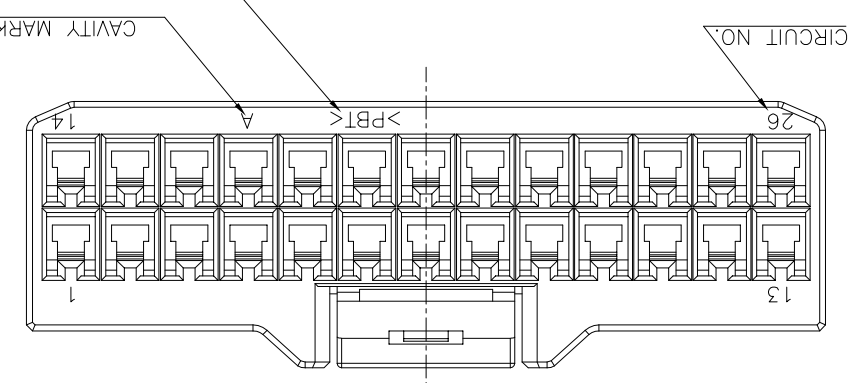
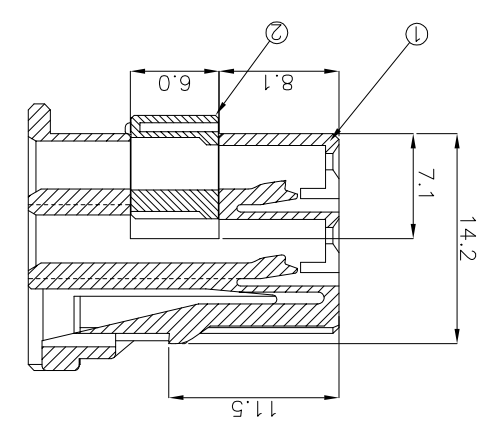
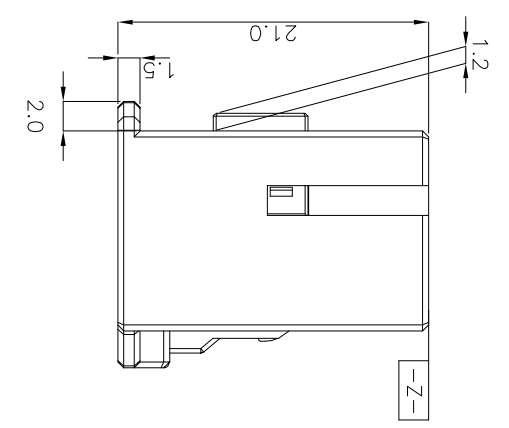
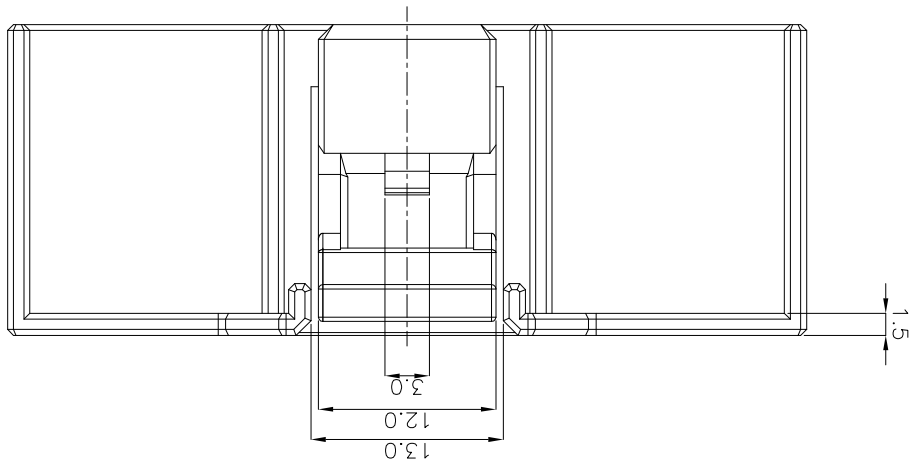
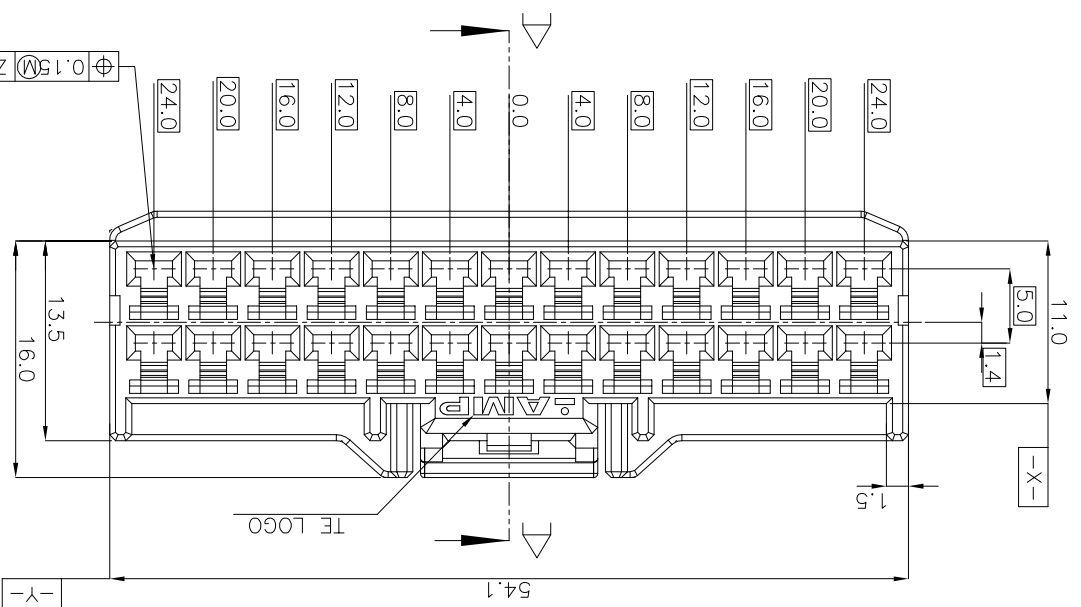
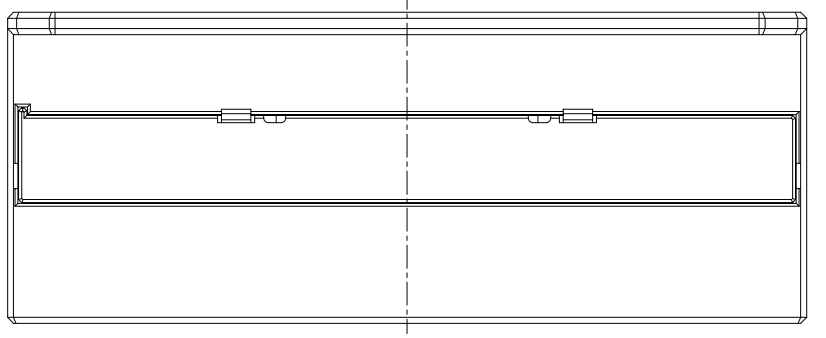


NOTES.
 1. THE MATING HSG. P/N ; 936133
 2. APPLIED CONTACT P/N ; 090 II REC. - 368083, 368084, 1743655, 1743656, 1897753, 1897598
 090 III REC. - 1743654, 1743655, 1743656, 1897753, 1897598
 -추가-
 1. 상대 하우징 P/N : 936133
 2. 적용단자 P/N : 090 II REC. - 368083, 368084, 368085
 090 III REC. - 1743654, 1743655, 1743656, 1897753, 1897598



THIS DRAWING IS A CONTROLLED DOCUMENT FOR TYCO ELECTRONICS CORPORATION. IT IS SUBJECT TO CHANGE AND THE CONTROLLING ENGINEERING ORGANIZATION SHOULD BE CONTACTED FOR THE LATEST REVISION.

DIMENSIONS: MM
 TOLERANCES UNLESS OTHERWISE SPECIFIED:
 0 <XX<10 ± 0.2
 10<XX<30 ± 0.25
 30<XX ± 0.3
 ANGLES ± 3°



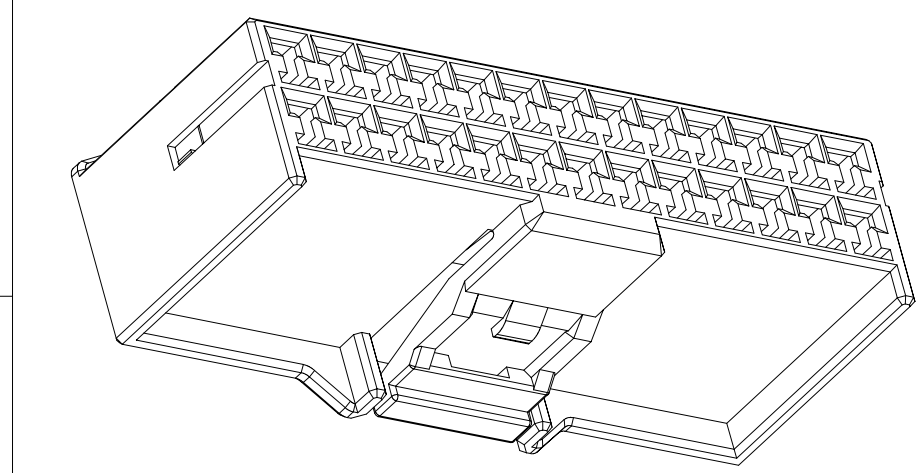
MATERIAL SEE TABLE
 FINISH

WEIGHT -
 APPLICATION SPEC -
 PRODUCT SPEC -

CUSTOMER DRAWING		SCALE 2/1	SHEET 1 OF 1	REV 1
NAME 090III 26P PLUG ASS'Y		CAGE CODE 00779C	DRAWING NO 936098	RESTRICTED TO -
DWN JM JEON		CHK JW JUNG	APVD HG CHD	
TOLERANCES UNLESS OTHERWISE SPECIFIED:				

NO	COLOR	MATERIAL	DESCRIPTION	P/N	QTY
2	NATURAL	PBT	DBL	0-936100-1	1
1	NATURAL	PBT	PLUG	0-936099-1	1
	BLACK	PBT	PLUG	0-936099-2	1
	D/GRAY	PBT	PLUG	0-936099-3	1
	BROWN	PBT	PLUG	0-936099-4	1
	YELLOW	PBT	PLUG	0-936099-5	1
	RED	PBT	PLUG	0-936099-6	1
	GREEN	PBT	PLUG	0-936099-7	1
	BLUE	PBT	PLUG	0-936099-8	1

ASSY P/N
0-936098-8
0-936098-7
0-936098-6
0-936098-5
0-936098-4
0-936098-3
0-936098-2
0-936098-1



P	LTR	DESCRIPTION	DATE	DWN	APVD
D		REVISED (ECR-13-017255)	12.NOV.'13	JM	HG
C1		REVISED (ECR-09-005043)	24.MAR.'09	KT	HG
C		REVISED (ECR-06-023180)	09.OCT.'06	BS	JK

REVISIONS

X-ON Electronics

Largest Supplier of Electrical and Electronic Components

Click to view similar products for [Automotive Connectors](#) category:

Click to view products by [TE Connectivity](#) manufacturer:

Other Similar products are found below :

[003-018-000](#) [600858](#) [60403001](#) [60993906-B](#) [60993913-B](#) [629515004020001](#) [M902-2131](#) [M902-2161](#) [M902-2344](#) [72.330.1035.1](#)
[73.353.4028.0](#) [F118010](#) [F119300-B](#) [F132210](#) [F132210-B](#) [F166900](#) [F180100](#) [F258300](#) [F258300-B](#) [F294300-B](#) [F339100](#) [F339700](#) [F358300-](#)
[B](#) [F374110](#) [F407400](#) [F412210](#) [F427600](#) [F444110](#) [F487000](#) [F495100-B](#) [F500900-B](#) [F509500B-B](#) [770444-1](#) [776880-1](#) [827153-1](#) [881735-1](#)
[8N1515-32-24P](#) [9-1326727-8](#) [9-1326729-8](#) [925467-1](#) [925474-1](#) [928905-1](#) [936398-2](#) [964562-1](#) [964562-4](#) [964731-2](#) [965051-1](#) [968782-1](#)
[GT17SA-8DS-HU](#) [GT17VS-10DP-5.2CF](#)