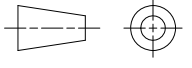


THIS DRAWING IS A CONTROLLED DOCUMENT FOR TYCO ELECTRONICS CORPORATION. IT IS SUBJECT TO CHANGE AND THE CONTROLLING ENGINEERING ORGANIZATION SHOULD BE CONTACTED FOR THE LATEST REVISION.

DIMENSIONS: MM

TOLERANCES UNLESS OTHERWISE SPECIFIED:
 0 <XX<10 ± 0.2
 10<XX<30 ± 0.25
 30<XX ± 0.3
 ANGLES ± 3°



MATERIAL
 FINISH
 SEE TABLE

WEIGHT -
 APPLICATION SPEC -
 PRODUCT SPEC -

DWN KT JUNG
 CHK JW JUNG
 APVD Tyco Electronics
 AMP KOREA, Kyungsan, Korea

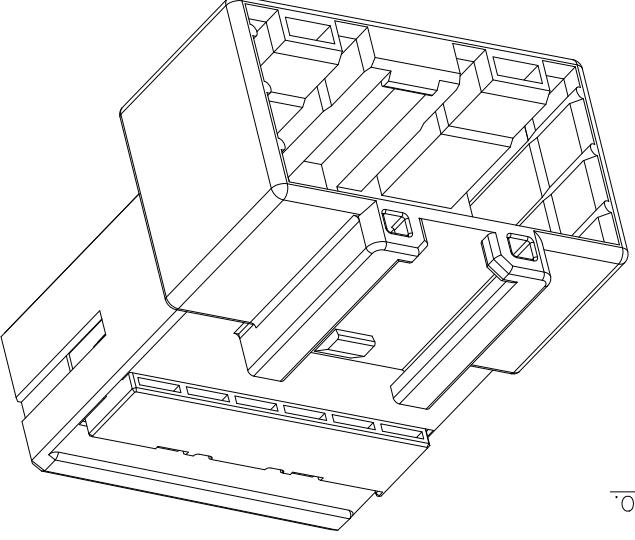
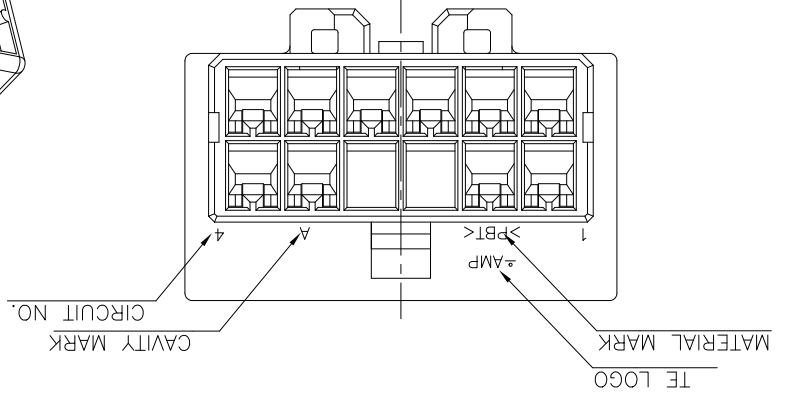
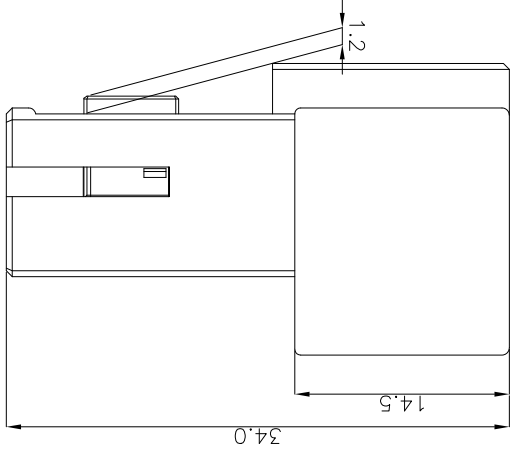
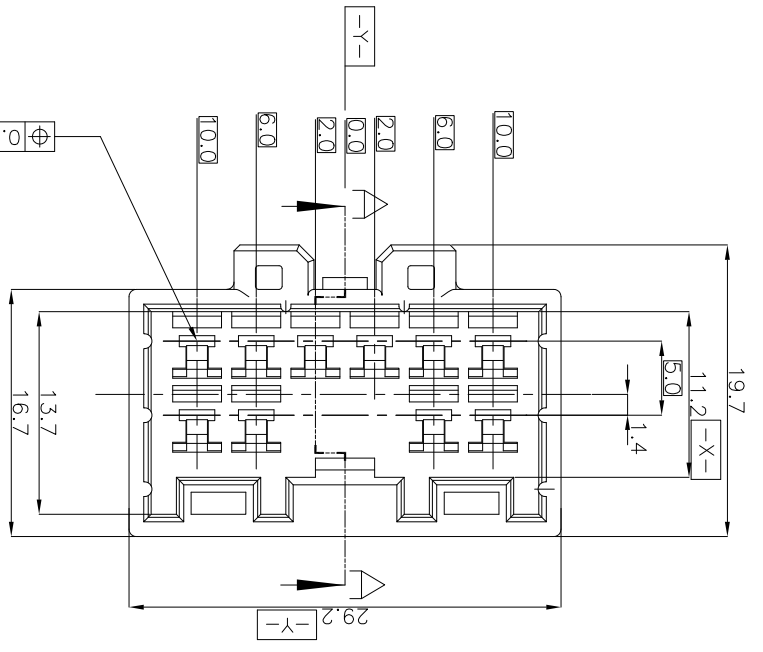
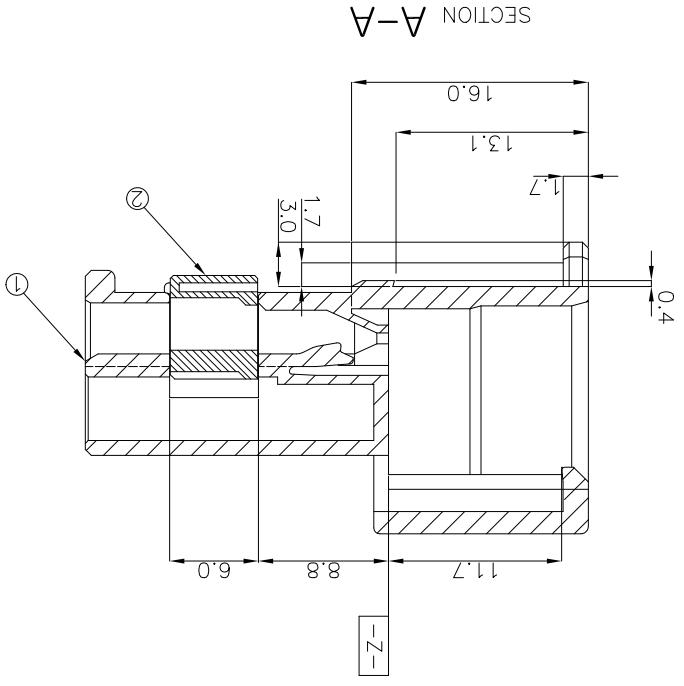
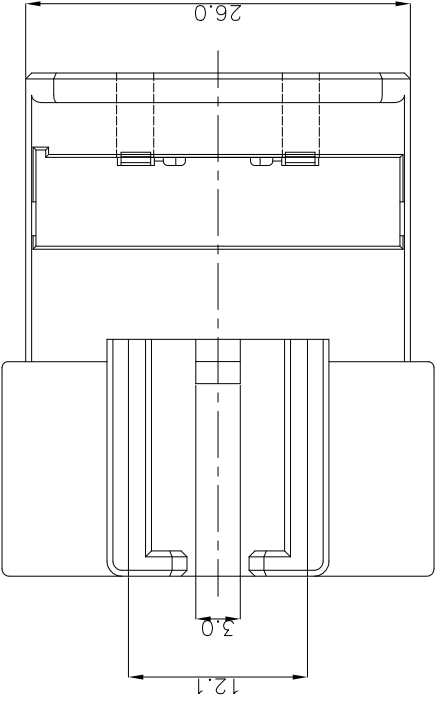
CUSTOMER DRAWING
 SCALE 2/1
 SHEET 1 OF 1
 REV A1

RESTRICTED TO	CAGE CODE	DRAWING NO	00779C-936129
SIZE	APVD	HG CHD	090III 10P CAP ASSY
NAME	PRODUCT SPEC	APPLICATIO SPEC	

NO	COLOR	MATERIAL	DESCRIPTION	P/N	QTY
2	NATURAL	PBT	DBL	0-936094-1	1
1	NATURAL	PBT	CAP	0-936130-1	1
	BLACK	PBT	CAP	0-936130-2	1
	D/GRAY	PBT	CAP	0-936130-3	1
	BROWN	PBT	CAP	0-936130-4	1
	YELLOW	PBT	CAP	0-936130-5	1
	BLUE	PBT	CAP	0-936130-8	1

ASSY P/N
0-936129-8
0-936129-5
0-936129-4
0-936129-3
0-936129-2
0-936129-1

NOTES:
 1. THE MATING HSG. P/N ; 936092
 2. APPLIED CONTACT P/N ; 090 II TAB. - 368086, 368087, 368088, 189752
 -추가-
 1. 상대 하우징 P/N : 936092
 2. 적용단자 P/N : 090 II TAB. - 368086, 368087, 368088, 189752



REV	DATE	DESCRIPTION	P	LTR	REVISED (FCO-0014-03)	REVISED (ECR-09-005035)
A1	24.MAR.'09	KT	HG			
A	26.JAN.'03	KT LIM	CS			

X-ON Electronics

Largest Supplier of Electrical and Electronic Components

Click to view similar products for [Headers & Wire Housings](#) category:

Click to view products by [TE Connectivity](#) manufacturer:

Other Similar products are found below :

[95000-104TRLF](#) [10135584-644402LF](#) [DF62W-EP2022PCA](#) [95000-106TRLF](#) [DF62W-2022SCA](#) [DF62W-EP2022PC](#) [2203348](#) [DF62W-2022SC](#) [1084018](#) [1029039](#) [1084017](#) [802-10-012-10-002000](#) [1112640](#) [1112639](#) [891-007-9SS-BST1T](#) [000-34000](#) [0008550134](#) [0009482033](#) [0009507031](#) [57102-F02-18ULF](#) [57102-S06-03LF](#) [57202-S52-04LF](#) [PCN6-15S-2.5E](#) [0039019024](#) [58102-G61-06LF](#) [582553-1](#) [0009485154](#) [0009508121](#) [0022285053](#) [0050291907](#) [018731A](#) [LY20-4P-DT1-P1E-BR](#) [02.125.8002.8](#) [60101931](#) [60598-1 \(Cut Strip\)](#) [M1625-3R/100](#) [61062-3](#) [61082-181009](#) [CSU011177004](#) [636-1427](#) [638009-1](#) [641938-9](#) [641991-4](#) [644168-1](#) [644827-2](#) [647662-1](#) [65039-019ELF](#) [65692-001LF](#) [65781-018](#) [65781-047](#)