

4

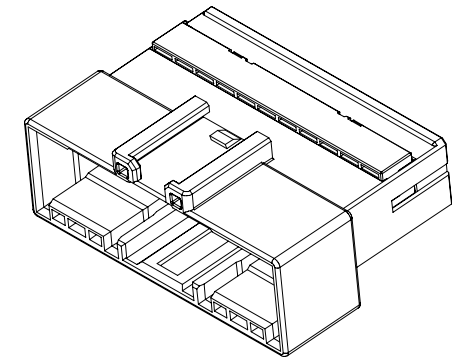
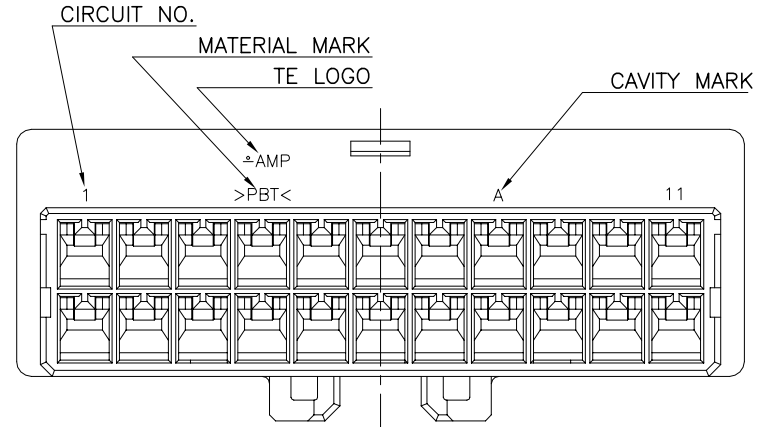
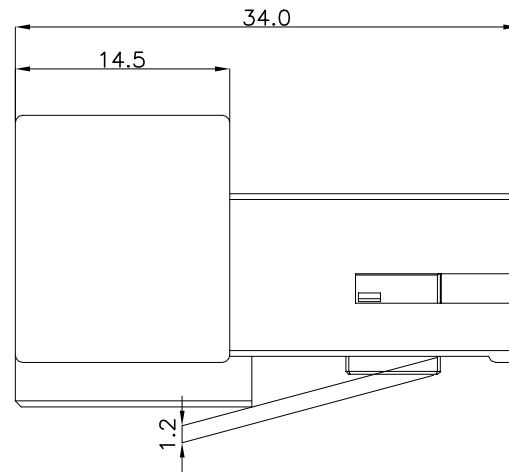
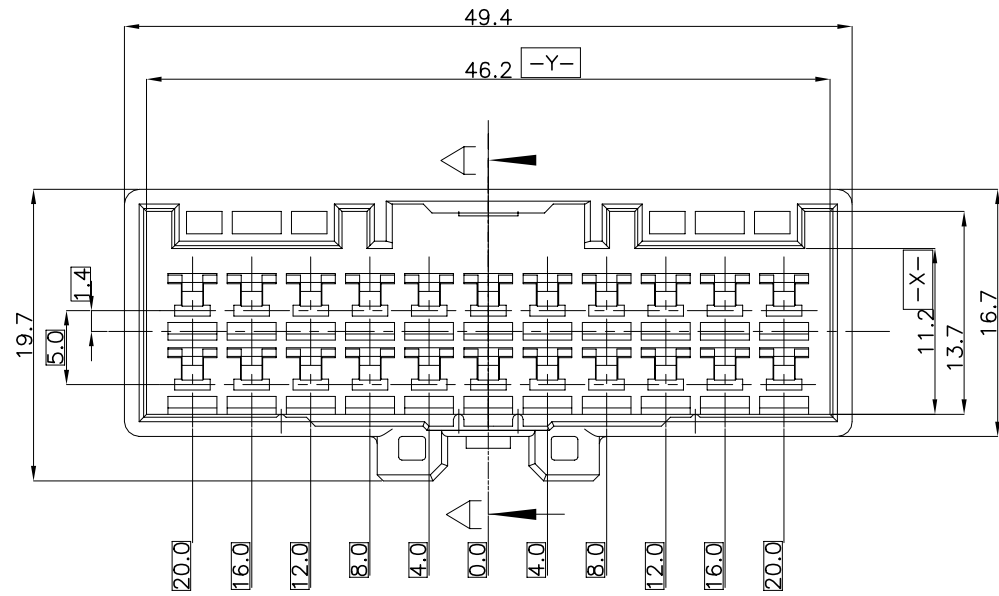
3

2

1

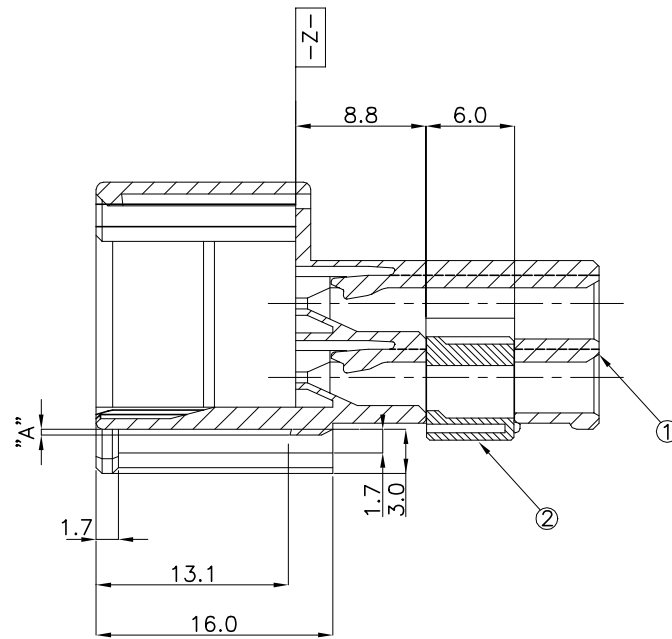
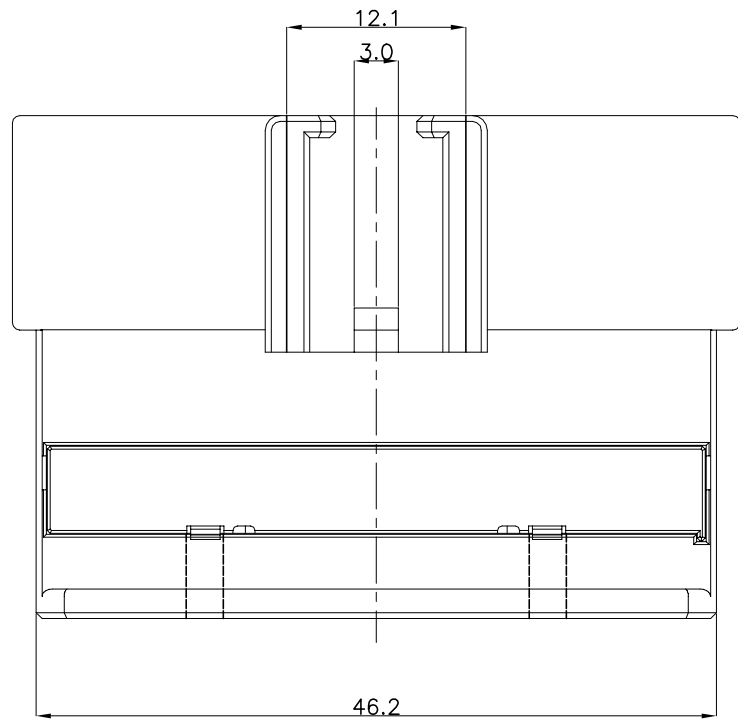
THIS DRAWING IS UNPUBLISHED. RELEASED FOR PUBLICATION
COPYRIGHT BY TYCO ELECTRONICS CORPORATION. ALL RIGHTS RESERVED.

LOC	DIST	REVISIONS					
		P	LTR	DESCRIPTION	DATE	DWN	APVD
DS	-		C1	REVISED (ECR-16-006690)	09.MAY.'16	SJ	JW
			C2	REVISED (ECR-21-001473)	04.FEB.'21	CI	YJ



- NOTES.
- THE MATING HSG. P/N ; 936151
 - APPLIED CONTACT P/N ; 090 II TAB.- 368086,368087,368088,1897752

- 추가 -
- 상대 하우징 P/N. ; 936151
 - 적용단자 P/N. ; 090 II TAB.- 368086,368087,368088,1897752



SECTION A-A

NO.	TYPE	DIMENSION
		'A'
1	TYPE A	0.4
2	TYPE B	0.7

THIS DRAWING IS A CONTROLLED DOCUMENT FOR TYCO ELECTRONICS CORPORATION IT IS SUBJECT TO CHANGE AND THE CONTROLLING ENGINEERING ORGANIZATION SHOULD BE CONTACTED FOR THE LATEST REVISION.

DIMENSIONS: MM	TOLERANCES UNLESS OTHERWISE SPECIFIED: 0 <XX<10 ± 0.2 10<XX<30 ± 0.25 30<XX ± 0.3 ANGLES ± 3°
MATERIAL	FINISH
SEE TABLE	

NO	COLOR	MATERIAL	DESCRIPTION	P/N	QTY
1	D/GRAY	PBT	CAP	1-936155-3	1
	BLUE	PBT	CAP	0-936155-8	1
	GREEN	PBT	CAP	1-936155-7	1
	RED	PBT	CAP	0-936155-6	1
	YELLOW	PBT	CAP	0-936155-5	1
	BROWN	PBT	CAP	0-936155-4	1
	L/GRAY	PBT	CAP	0-936155-3	1
	BLACK	PBT	CAP	0-936155-2	1
2	NATURAL	PBT	DBL	0-936153-1	1

DWN SJ CHOI		TE Connectivity	
CHK JW JUNG			
APVD HG CHO		NAME	
PRODUCT SPEC		090III 22P CAP ASS'Y	
APPLICATION SPEC		SIZE	CAGE CODE
WEIGHT		DRAWING NO	
CUSTOMER DRAWING		RESTRICTED TO	
SCALE 2/1		SHEET 1 OF 1	
REV C2			

X-ON Electronics

Largest Supplier of Electrical and Electronic Components

Click to view similar products for [Automotive Connectors](#) category:

Click to view products by [TE Connectivity](#) manufacturer:

Other Similar products are found below :

[003-018-000](#) [60403001](#) [60993906-B](#) [M902-2131](#) [M902-2161](#) [M902-2344](#) [72.330.1035.1](#) [73.353.4028.0](#) [F119300-B](#) [F166900](#) [F258300-B](#)
[F358300-B](#) [F407400](#) [F444110](#) [F487000](#) [F509500B-B](#) [827153-1](#) [8N1515-32-24P](#) [9-1326729-8](#) [925474-1](#) [928905-1](#) [964562-4](#) [968782-1](#)
[GT17SA-8DS-HU](#) [98891-1012](#) [98947-1016](#) [12004147](#) [12004475-L](#) [12010290](#) [12010309-B](#) [12015454](#) [12020219-B](#) [12041318-B](#) [12052225-](#)
[L](#) [12052466](#) [12064869](#) [12004327-B](#) [12015308](#) [12015384](#) [12015909](#) [1-21030-1](#) [12041254](#) [12041318](#) [12047946-B](#) [12047957](#) [12047957-L](#)
[12059473](#) [12066261](#) [12110546](#) [12110546-B](#)