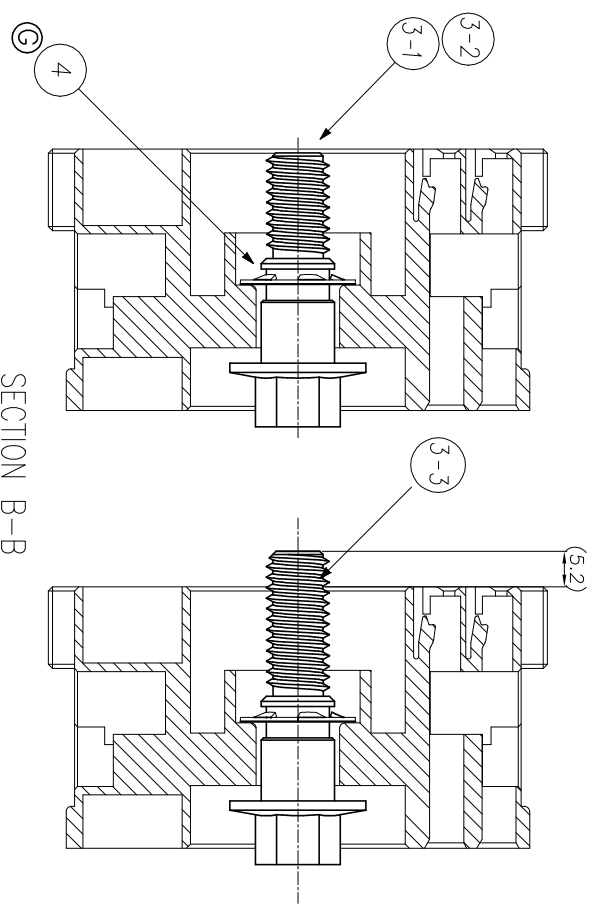
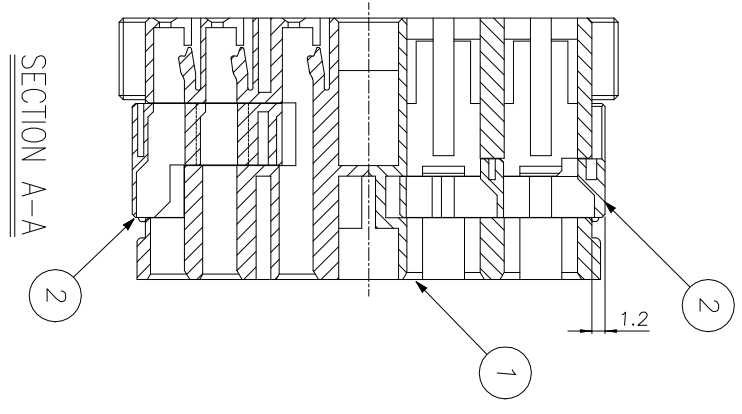
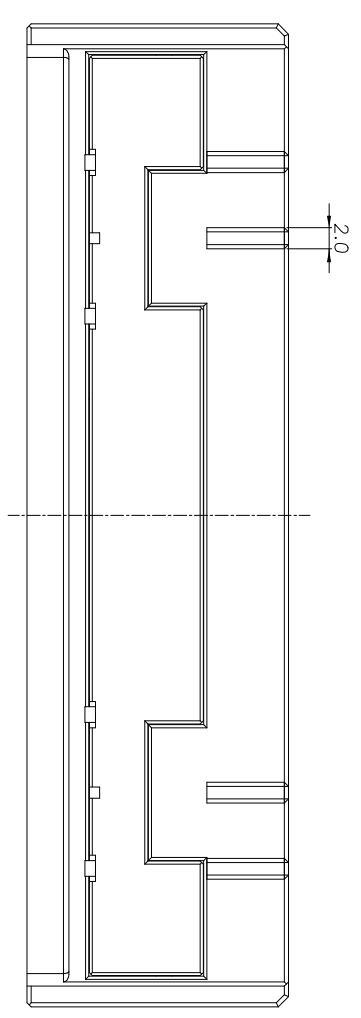
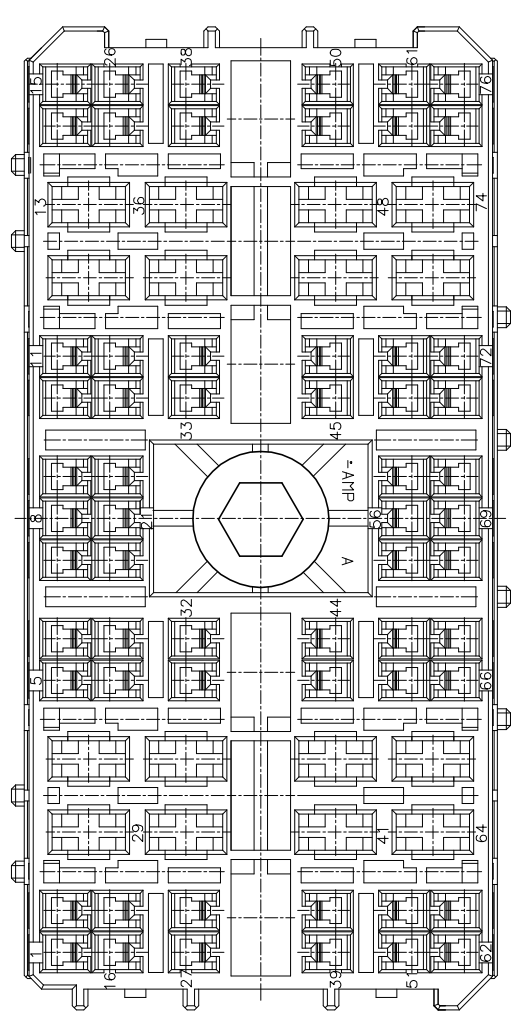
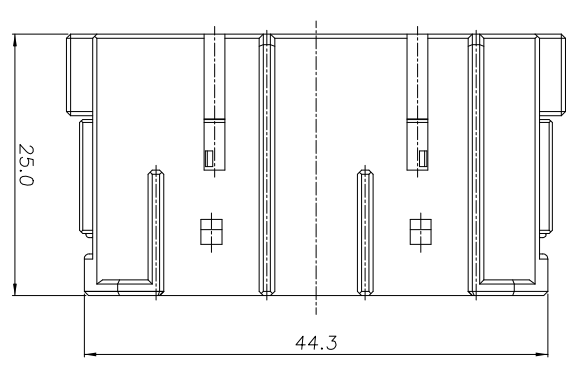
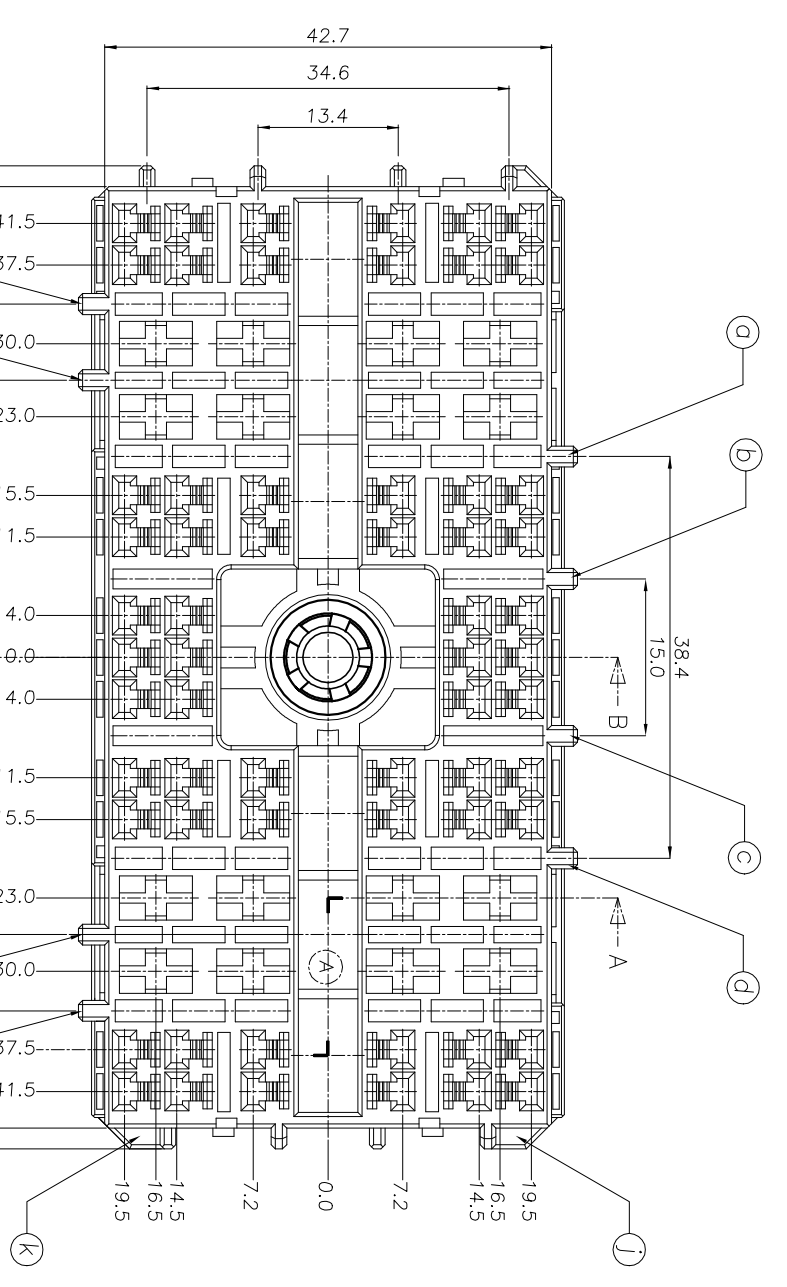


LOC	DIST	REVISIONS		
DS		P	DATE	BY
		F	22.DEC.'08	JK
		G	27.NOV.'09	JK
		G1	05.JUL.'19	YJ
		G2	05.FEB.'20	YJ



- NOTES.
- APPLIED CONTACT P/N ;
 090 II - 368083, 368084, 368085
 090 III - 1743654, 1743655, 1743656
 S.P.T - 927839, 927827, 927833, 927824
 - BOLT TORQUE: 1.0kgf.m MAX

NO	P/N	DESCRIPTION	MATERIAL	COLOR	QTY
④	2005633-1	PUSH NUT(NEW)	SUS 304(3/4H)	-	1
③-3	936826-2	BOLT(7mm)	SWCH10A	-	1
③-2	1-936826-1	BOLT(8mm)	SWCH10A	-	1
③-1	936826-1	BOLT(7mm)	SWCH10A	-	1
2	936069-1	DBL HSG	PBT	YELLOW	2
②-4	1-936068-4	76P PLUG HSG	PBT-GF10	BROWN	1
②-3	936068-3	76P PLUG HSG	PBT-GF10	GRAY	1
②-2	936068-1	76P PLUG HSG	PBT-GF10	BLACK	1

P/N	DESCRIPTION
④	090/SPT HYB 76P PLUG ASS'Y (7mm BOLT-LONG)
③	090/SPT HYB 76P PLUG ASS'Y (7mm BOLT-LONG)
②	090/SPT HYB 76P PLUG ASS'Y (7mm BOLT-LONG)
①	090/SPT HYB 76P PLUG ASS'Y (8mm BOLT)
③	090/SPT HYB 76P PLUG ASS'Y (7mm BOLT)
②	090/SPT HYB 76P PLUG ASS'Y (7mm BOLT)

1-936068-4	①	②	③	④	⑤	⑥	⑦	⑧	⑨	⑩	REMARK
936068-3	○	○	○	○	○	○	○	○	○	○	GRAY
936068-1	○	○	○	○	○	○	○	○	○	○	BLACK

THIS DRAWING IS A CONTROLLED DOCUMENT FOR TYCO ELECTRONICS CORPORATION. IT IS SUBJECT TO THE TERMS AND CONDITIONS OF THE LICENSE AGREEMENT.

Tyco Electronics
 AMP KOREA,
 Kyungseon, Korea

NAME: AMP KOREA, Kyungseon, Korea
 CHK: YJ YOUN
 APD: JK SONG

PRODUCT SPEC: 090/SPT HYB 76P PLUG ASS'Y (BOLT TYPE)
 APPLICATION SPEC: 00779
 WEIGHT: 9 3 6 1 9 5
 SCALE: 2:1 SHEET: 1 OF 1 REV: G2

X-ON Electronics

Largest Supplier of Electrical and Electronic Components

Click to view similar products for [Automotive Connectors](#) category:

Click to view products by [TE Connectivity](#) manufacturer:

Other Similar products are found below :

[003-018-000](#) [60403001](#) [60993906-B](#) [M902-2131](#) [M902-2161](#) [72.330.1035.1](#) [73.353.4028.0](#) [F119300-B](#) [F166900](#) [F258300-B](#) [F358300-B](#)
[F407400](#) [F444110](#) [F487000](#) [F509500B-B](#) [827153-1](#) [8N1515-32-24P](#) [9-1326729-8](#) [925474-1](#) [928905-1](#) [964562-4](#) [968782-1](#) [GT17SA-8DS-](#)
[HU](#) [98891-1012](#) [98947-1016](#) [12004147](#) [12004475-L](#) [12010290](#) [12010309-B](#) [12015454](#) [12020219-B](#) [12020308](#) [12041318-B](#) [12052225-L](#)
[12052466](#) [12059125](#) [12064869](#) [12004327-B](#) [12010503-B](#) [12015308](#) [12015384](#) [12015909](#) [1-21030-1](#) [12041254](#) [12041318](#) [12047946-B](#)
[12047957](#) [12047957-L](#) [12059473](#) [12066261](#)