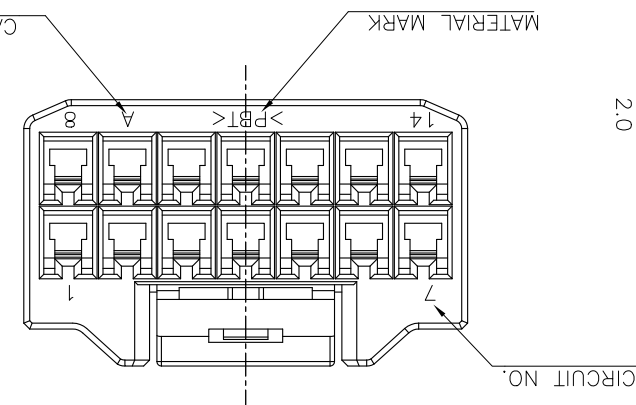
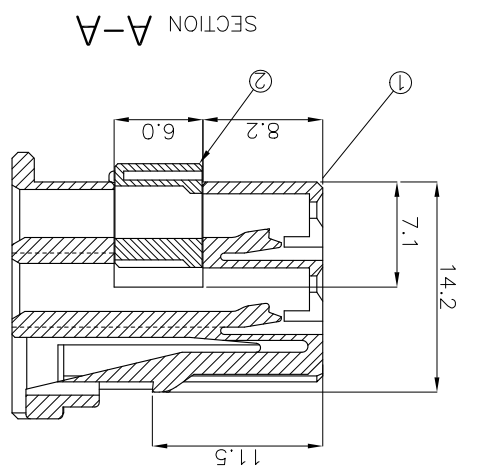
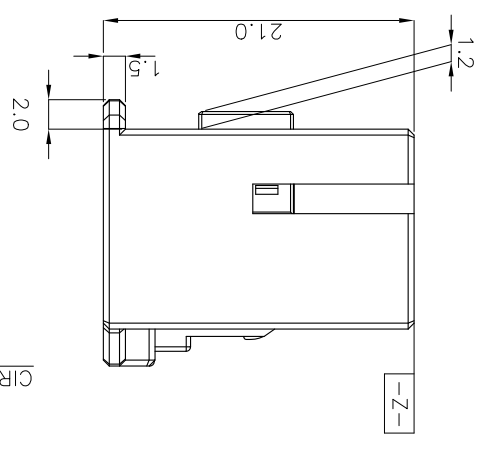
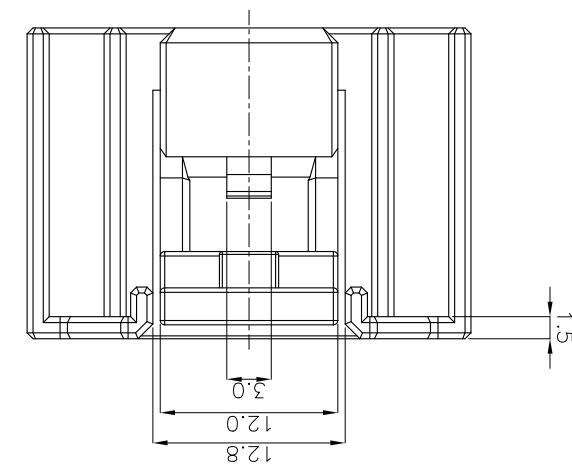
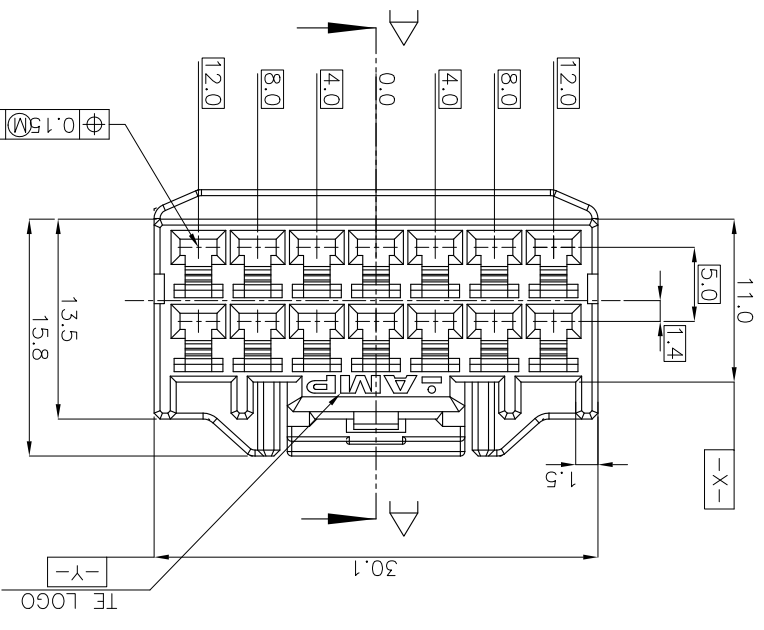
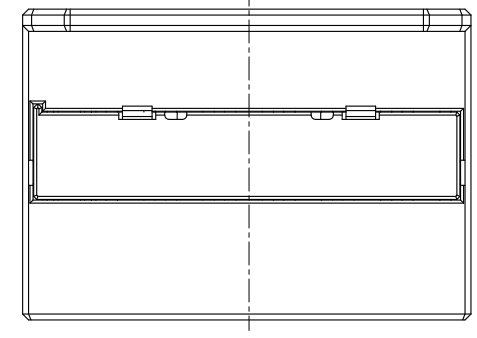


NOTES:  
 1. THE MATING HSG. P/N ; 936209  
 2. APPLIED CONTACT P/N ; 090 II REC. - 368083, 368084, 368085  
 090 III REC. - 1743654, 1743655, 1743656, 1897753, 1897598  
 -추가-  
 1. 상대 하우징 P/N : 936209  
 2. 적용단자 P/N : 090 II REC. - 368083, 368084, 368085  
 090 III REC. - 1743654, 1743655, 1743656, 1897753, 1897598



THIS DRAWING IS A CONTROLLED DOCUMENT FOR TYCO ELECTRONICS CORPORATION. IT IS SUBJECT TO CHANGE AND THE CONTROLLING ENGINEERING ORGANIZATION SHOULD BE CONTACTED FOR THE LATEST REVISION.

DIMENSIONS: MM  
 TOLERANCES UNLESS OTHERWISE SPECIFIED:

0 <XX<10 ± 0.2  
 10<XX<30 ± 0.25  
 30<XX ± 0.3  
 ANGLES ± 3°

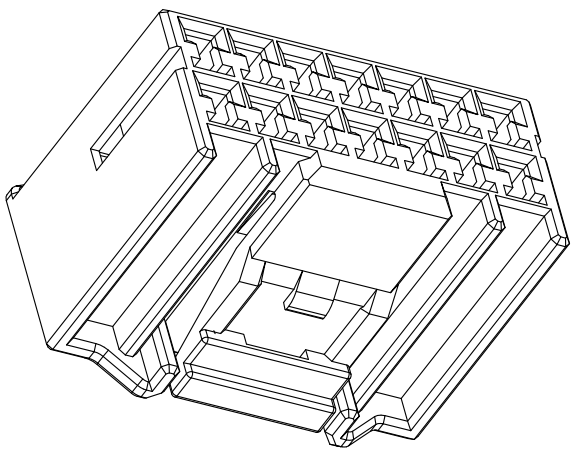
MATERIAL FINISH WEIGHT

SEE TABLE

CUSTOMER DRAWING		SCALE 2/1	SHEET 1 OF 1	REV C1
AMP KOREA, Tyco Electronics Kyungsan, Korea		090III 14P PLUG ASS'Y	CAGE CODE 00779C=936199	RESTRICTED TO
DWN	KT JUNG	CHK	JW JUNG	APVD
TOLERANCES UNLESS OTHERWISE SPECIFIED:		PRODUCT SPEC	APPLICATION SPEC	WEIGHT
APVD		HG CHD	NAME	SIZE
CAGE CODE		DRAWING NO	RESTRICTED TO	

NO	COLOR	MATERIAL	DESCRIPTION	P/N	QTY
2	NATURAL	PBT	DBL	0-936198-1	1
1	NATURAL	PBT	PLUG	0-936200-1	1
	BLACK	PBT	PLUG	0-936200-2	1
	D/GRAY	PBT	PLUG	0-936200-3	1
	BROWN	PBT	PLUG	0-936200-4	1
	YELLOW	PBT	PLUG	0-936200-5	1
	RED	PBT	PLUG	0-936200-6	1
	GREEN	PBT	PLUG	0-936200-7	1
	BLUE	PBT	PLUG	0-936200-8	1

ASSY P/N
0-936199-8
0-936199-7
0-936199-6
0-936199-5
0-936199-4
0-936199-3
0-936199-2
0-936199-1



REV	DATE	DESCRIPTION	BY	CHK	APPV
C1	24.MAR.'09	REVISED (ECR-09-005043)	KT	HG	
C	09.OCT.'06	REVISED (ECR-06-023165)	BS	JK	

## X-ON Electronics

Largest Supplier of Electrical and Electronic Components

*Click to view similar products for [Headers & Wire Housings](#) category:*

*Click to view products by [TE Connectivity](#) manufacturer:*

Other Similar products are found below :

[95000-104TRLF](#) [10135584-644402LF](#) [DF62W-EP2022PCA](#) [95000-106TRLF](#) [DF62W-2022SCA](#) [DF62W-EP2022PC](#) [2203348](#) [DF62W-2022SC](#) [1084018](#) [1029039](#) [1084017](#) [802-10-012-10-002000](#) [1112640](#) [1112639](#) [891-007-9SS-BST1T](#) [000-34000](#) [0008550134](#) [0009482033](#) [0009507031](#) [57102-F02-18ULF](#) [57102-S06-03LF](#) [57202-S52-04LF](#) [PCN6-15S-2.5E](#) [0039019024](#) [58102-G61-06LF](#) [582553-1](#) [0009485154](#) [0009508121](#) [0022285053](#) [0050291907](#) [018731A](#) [LY20-4P-DT1-P1E-BR](#) [02.125.8002.8](#) [60101931](#) [60598-1 \(Cut Strip\)](#) [M1625-3R/100](#) [61062-3](#) [61082-181009](#) [CSU011177004](#) [636-1427](#) [638009-1](#) [641938-9](#) [641991-4](#) [644168-1](#) [644827-2](#) [647662-1](#) [65039-019ELF](#) [65692-001LF](#) [65781-018](#) [65781-047](#)