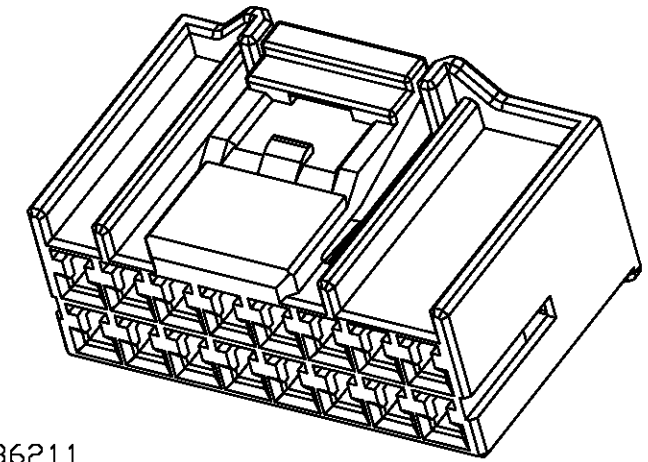
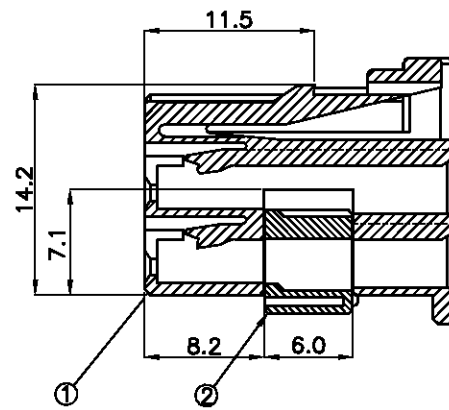
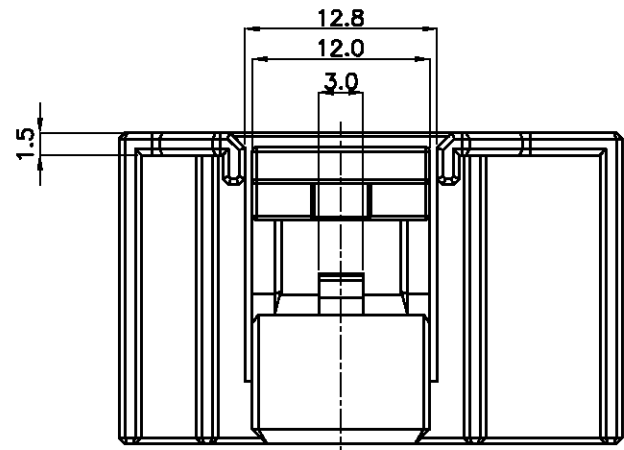


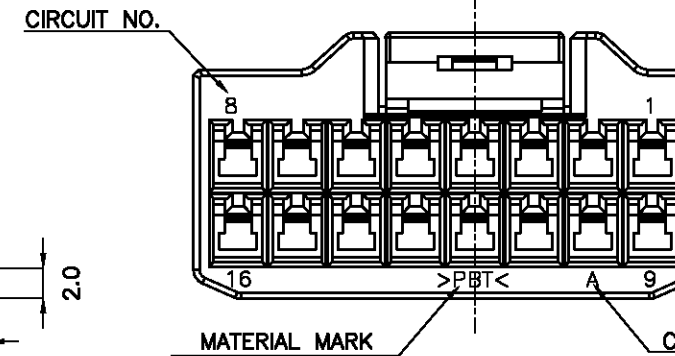
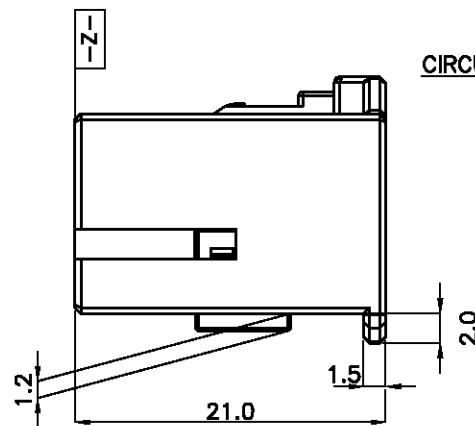
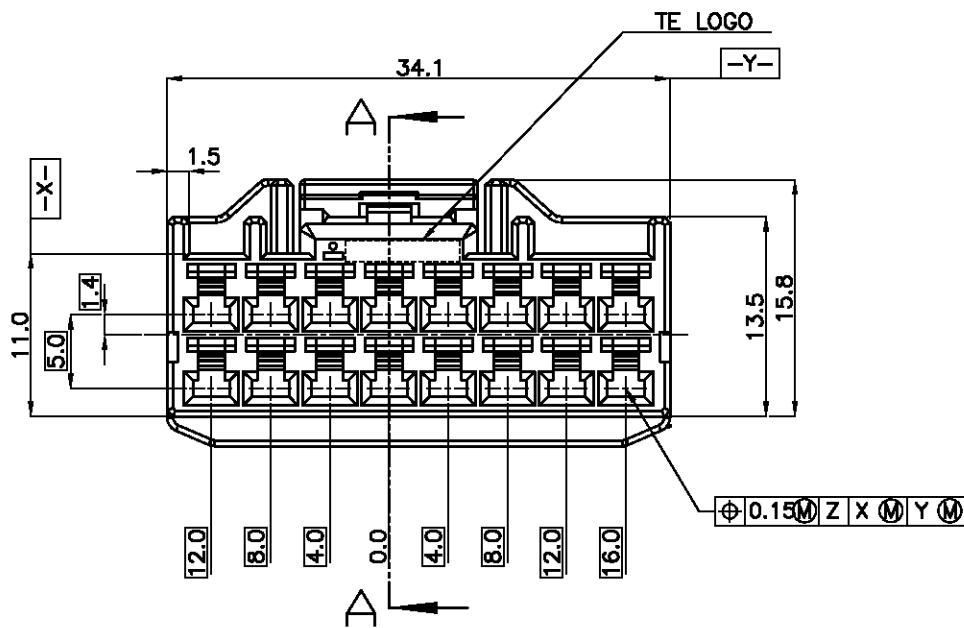
THIS DRAWING IS UNPUBLISHED. RELEASED FOR PUBLICATION
 © COPYRIGHT BY _____ ALL RIGHTS RESERVED.

LOC	DIST	REVISIONS					
		P	LTR	DESCRIPTION	DATE	DWN	APVD
DS	-		B1	REVISED PER ECO-11-005139	28MAR11	RK	HMR



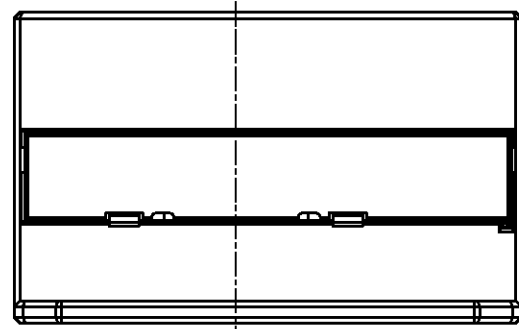
- NOTES.
- THE MATING HSG. P/N ; 936211
 - APPLIED CONTACT P/N ;
 090 II REC. - 368083, 368084, 368085
 090 III REC. - 1743654, 1743655, 1743656, 1897753, 1897598

- 추가-
- 상대 하우징 P/N. ; 936211
 - 적용단자 P/N. ; 090 II REC.- 368083,368084,368085
 090 III REC.- 1743654,1743655,1743656,1897753,1897598



ASSY P/N	①	②	③	④	⑤	⑥	⑦	⑧	⑨	⑩	⑪	⑫	⑬	⑭	⑮	⑯
0-936201-8																
0-936201-7																
0-936201-6																
0-936201-5																
0-936201-4																
0-936201-3																
0-936201-2																
0-936201-1																

NO	COLOR	MATERIAL	DESCRIPTION	QTY
1	BLUE	PBT	PLUG	1
	GREEN	PBT	PLUG	1
	RED	PBT	PLUG	1
	YELLOW	PBT	PLUG	1
	BROWN	PBT	PLUG	1
	D/GRAY	PBT	PLUG	1
	BLACK	PBT	PLUG	1
	NATURAL	PBT	PLUG	1
2	NATURAL	PBT	DBL	1 1 1 1 1 1 1 1 1 1 1 1 1 1 1 1



DIMENSIONS: MM	TOLERANCES UNLESS OTHERWISE SPECIFIED: 0 <XX<10 ± 0.2 10<XX<30 ± 0.25 30<XX ± 0.3 ANGLES ± 3°	DWN SH JANG	TE Connectivity
		CHK JW JUNG	
MATERIAL SEE TABLE	FINISH	APVD HG CHD	NAME
		PRODUCT SPEC -	090III 16P PLUG ASS'Y
		APPLICATION SPEC -	SIZE CAGE CODE DRAWING NO RESTRICTED TO
		WEIGHT -	A3 00779 C=936201 -
		CUSTOMER DRAWING	SCALE 2/1 SHEET 1 OF 1 REV B1

X-ON Electronics

Largest Supplier of Electrical and Electronic Components

Click to view similar products for [Headers & Wire Housings](#) category:

Click to view products by [TE Connectivity](#) manufacturer:

Other Similar products are found below :

[95000-104TRLF](#) [10135584-644402LF](#) [DF62W-EP2022PCA](#) [95000-106TRLF](#) [DF62W-2022SCA](#) [DF62W-EP2022PC](#) [2203348](#) [DF62W-2022SC](#) [1084018](#) [1029039](#) [1084017](#) [802-10-012-10-002000](#) [1112640](#) [1112639](#) [891-007-9SS-BST1T](#) [000-34000](#) [0008550134](#) [0009482033](#) [0009507031](#) [57102-F02-18ULF](#) [57102-S06-03LF](#) [57202-S52-04LF](#) [PCN6-15S-2.5E](#) [0039019024](#) [58102-G61-06LF](#) [582553-1](#) [0009485154](#) [0009508121](#) [0022285053](#) [0050291907](#) [018731A](#) [LY20-4P-DT1-P1E-BR](#) [02.125.8002.8](#) [60101931](#) [60598-1 \(Cut Strip\)](#) [M1625-3R/100](#) [61062-3](#) [61082-181009](#) [CSU011177004](#) [636-1427](#) [638009-1](#) [641938-9](#) [641991-4](#) [644168-1](#) [644827-2](#) [647662-1](#) [65039-019ELF](#) [65692-001LF](#) [65781-018](#) [65781-047](#)