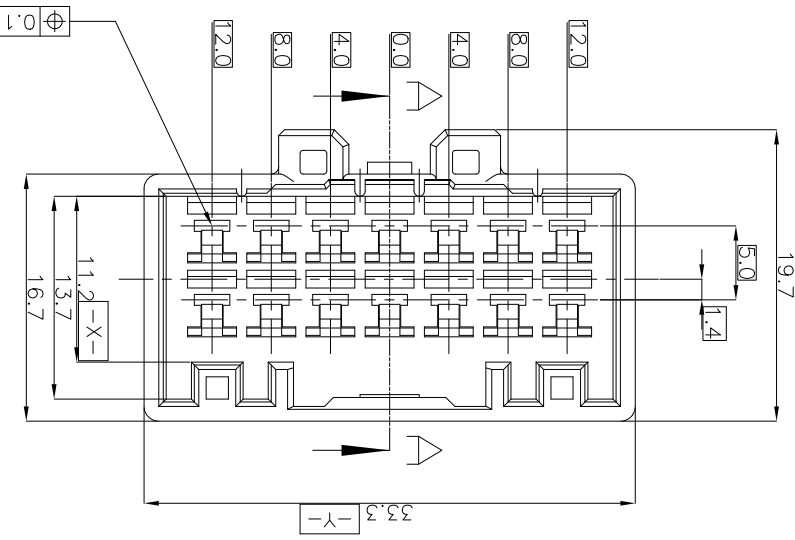
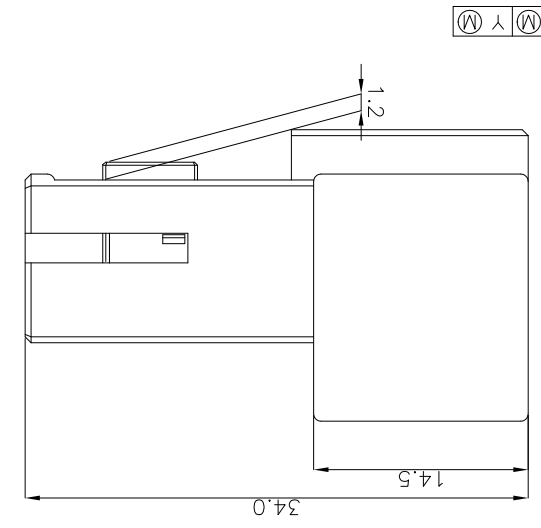
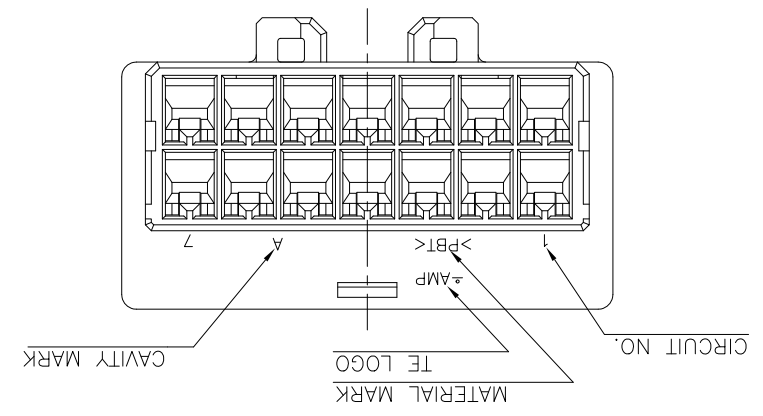
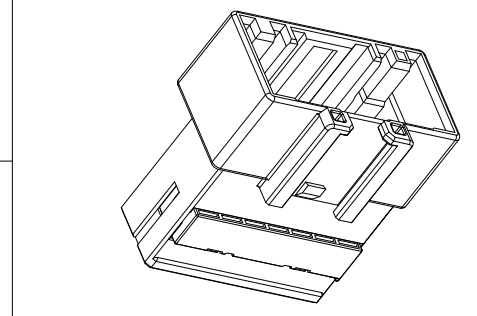


REV	DATE	DESCRIPTION	APVD
C1	24.MAR.'09	KT	HG
C	29.NOV.'05	IS	JK
REVISIONS			



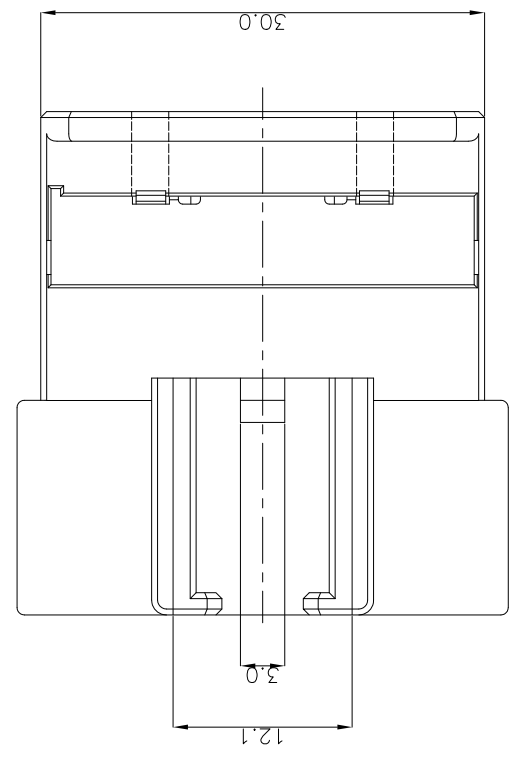
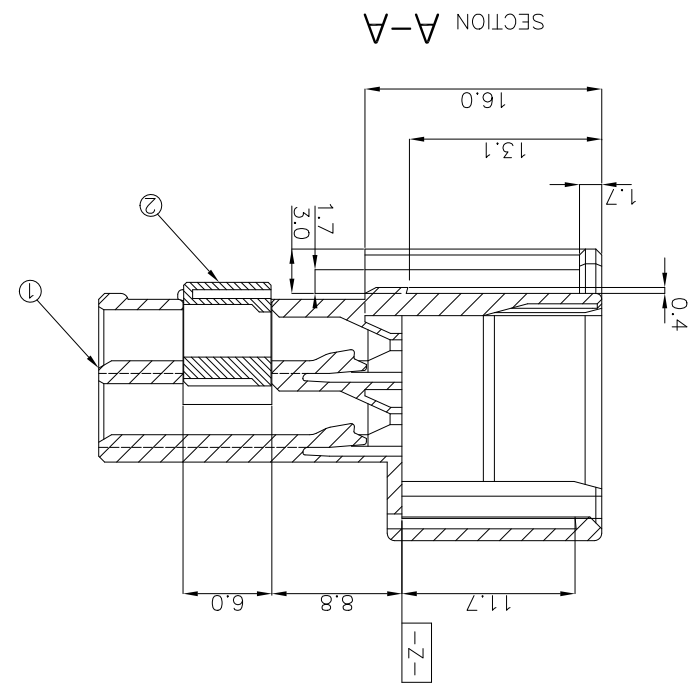
NOTES.  
 1. THE MATING HSG. P/N ; 936199  
 2. APPLIED CONTACT P/N ; 090 II TAB. - 368086, 368087, 368088, 1897752  
 -주기-  
 1. 상대 하우징 P/N : 936199  
 2. 적용단자 P/N : 090 II TAB. - 368086, 368087, 368088, 1897752

NO	COLOR	MATERIAL	DESCRIPTION	P/N	QTY
2	NATURAL	PBT	DBL	0-936198-1	1
1	NATURAL	PBT	CAP	0-936210-1	1
	BLACK	PBT	CAP	0-936210-2	1
	D/GRAY	PBT	CAP	0-936210-3	1
	BROWN	PBT	CAP	0-936210-4	1
	YELLOW	PBT	CAP	0-936210-5	1
	RED	PBT	CAP	0-936210-6	1
	GREEN	PBT	CAP	0-936210-7	1
	BLUE	PBT	CAP	0-936210-8	1

ASSY P/N
0-936209-8
0-936209-7
0-936209-6
0-936209-5
0-936209-4
0-936209-3
0-936209-2
0-936209-1

AMP KOREA, Tyco Electronics Kyungsan, Korea		CUSTOMER DRAWING	
NAME	090III 14P CAP ASS'Y	SCALE	2/1
APVD	JW JUNG	SHEET	1 OF 1
CHK	KT JUNG	REV	C1
DWN	KT JUNG	RESTRICTED TO	-
CAGE CODE	00779	DRAWING NO	936209
SIZE	A3	WEIGHT	-
APPLICATION SPEC	-	FINISH	-
PRODUCT SPEC	-	MATERIAL	SEE TABLE
HG CHD	-	DIMENSIONS:	MM
APVD	OTHERWISE SPECIFIED	TOLERANCES UNLESS OTHERWISE SPECIFIED:	0 <XX<10 ± 0.2 10<XX<30 ± 0.25 30<XX ± 0.3 ANGLES ± 3°

THIS DRAWING IS A CONTROLLED DOCUMENT FOR TYCO ELECTRONICS CORPORATION. IT IS SUBJECT TO CHANGE AND THE CONTROLLING ENGINEERING ORGANIZATION SHOULD BE CONTACTED FOR THE LATEST REVISION.



## X-ON Electronics

Largest Supplier of Electrical and Electronic Components

*Click to view similar products for [Headers & Wire Housings](#) category:*

*Click to view products by [TE Connectivity](#) manufacturer:*

Other Similar products are found below :

[95000-104TRLF](#) [10135584-644402LF](#) [DF62W-EP2022PCA](#) [95000-106TRLF](#) [DF62W-2022SCA](#) [DF62W-EP2022PC](#) [2203348](#) [DF62W-2022SC](#) [1084018](#) [1029039](#) [1084017](#) [802-10-012-10-002000](#) [1112640](#) [1112639](#) [891-007-9SS-BST1T](#) [000-34000](#) [0008550134](#) [0009482033](#) [0009507031](#) [57102-F02-18ULF](#) [57102-S06-03LF](#) [57202-S52-04LF](#) [PCN6-15S-2.5E](#) [0039019024](#) [58102-G61-06LF](#) [582553-1](#) [0009485154](#) [0009508121](#) [0022285053](#) [0050291907](#) [018731A](#) [LY20-4P-DT1-P1E-BR](#) [02.125.8002.8](#) [60101931](#) [60598-1 \(Cut Strip\)](#) [M1625-3R/100](#) [61062-3](#) [61082-181009](#) [CSU011177004](#) [636-1427](#) [638009-1](#) [641938-9](#) [641991-4](#) [644168-1](#) [644827-2](#) [647662-1](#) [65039-019ELF](#) [65692-001LF](#) [65781-018](#) [65781-047](#)