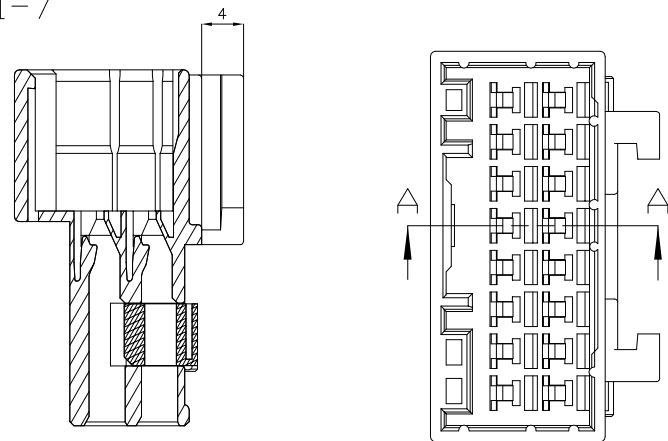
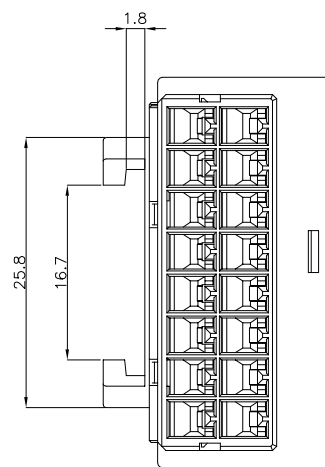
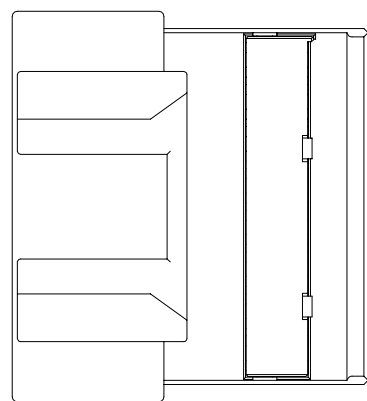


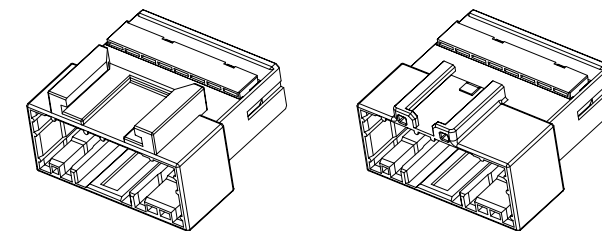
TYPE B (DELPHI CLIP MOUNTING TYPE)
 1-936211-7



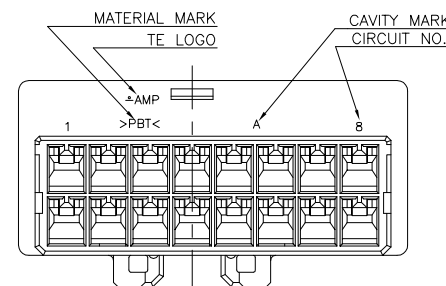
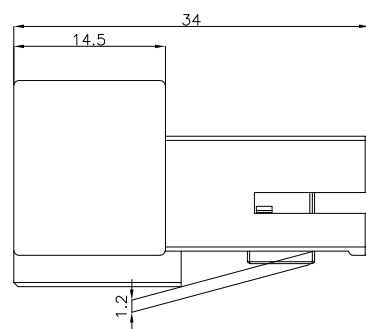
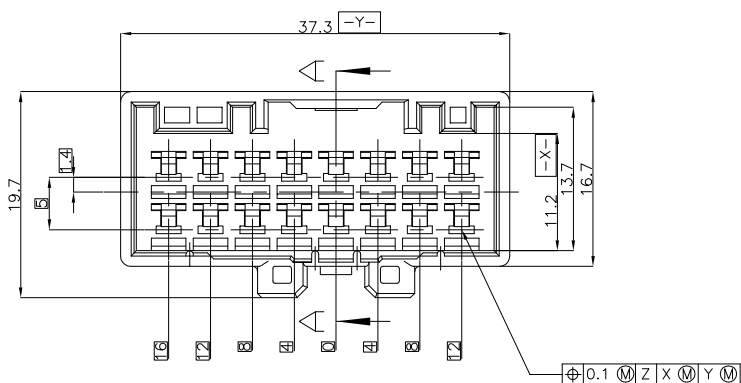
SECTION A-A



REVISIONS					
P	LTR	DESCRIPTION	DATE	DWN	APVD
	B1	REVISED (ECR-09-005035)	24.MAR.'09	KT	HG
	C	REVISED (ECR-11-008499)	29.JUN.'10	KT	HG
	C1	REVISED (ECR-14-000006)	28.NOV.'13	JM	HG
	C2	REVISED (ECR-16-004041)	17.MAR.'16	JM	JW



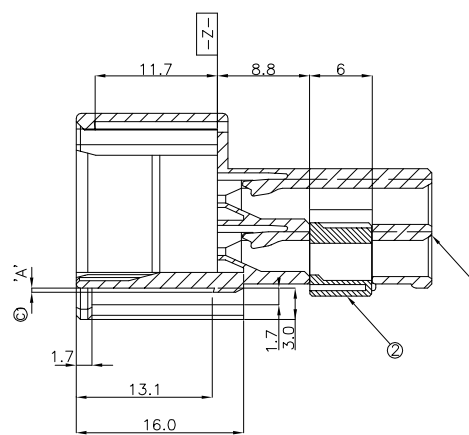
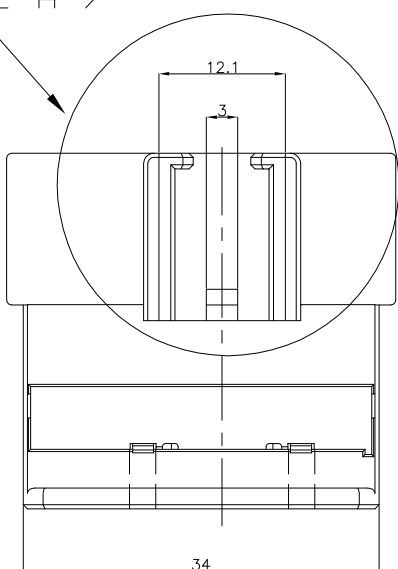
SCALE 1/2
 3D VIEW



NO.	TYPE	DIMENSION 'A'
1	TYPE A	0.4
2	TYPE C	0.7

- NOTES:
 1. THE MATING HSG. P/N ; 936201
 2. APPLIED CONTACT P/N ; 090 III TAB. - 368086, 368087, 368088, 1897752
 3. ADAPTABLE CLIP P/N OF 2-936211-6: 1743455-X

< TYPE A >



SECTION A-A

NO	COLOR	MATERIAL	DESCRIPTION	QTY
1	RED	PBT	CAP (TYPE C)	1
	GREEN	PBT	CAP (TYPE B)	1
	BLUE	PBT	CAP (TYPE A)	1
	GREEN	PBT	CAP (TYPE A)	1
	RED	PBT	CAP (TYPE A)	1
	YELLOW	PBT	CAP (TYPE A)	1
	BROWN	PBT	CAP (TYPE A)	1
	L/GRAY	PBT	CAP (TYPE A)	1
	BLACK	PBT	CAP (TYPE A)	1
	NATURAL	PBT	CAP (TYPE A)	1
2	NATURAL	PBT	DBL	1
				1

THIS DRAWING IS A CONTROLLED DOCUMENT FOR TYCO ELECTRONICS CORPORATION. IT IS SUBJECT TO CHANGE AND THE CONTROLLING ENGINEERING ORGANIZATION SHOULD BE CONTACTED FOR THE LATEST REVISION.

DWN: JM JEDN
 CHK: JM JEDN
 APVD: JW JUNG
 PRODUCT SPEC: -
 APPLICATION SPEC: -
 WEIGHT: -

TE TE Connectivity

NAME: 090III 16P CAP ASS'Y

SIZE: A2 CAGE CODE: 00779 DRAWING NO: 936211 RESTRICTED TO: -

CUSTOMER DRAWING SCALE: 2/1 SHEET: 1 OF 1 REV: C2

X-ON Electronics

Largest Supplier of Electrical and Electronic Components

Click to view similar products for [Automotive Connectors](#) category:

Click to view products by [TE Connectivity](#) manufacturer:

Other Similar products are found below :

[003-018-000](#) [600858](#) [60403001](#) [60993906-B](#) [60993913-B](#) [629515004020001](#) [M902-2131](#) [M902-2161](#) [M902-2344](#) [72.330.1035.1](#)
[73.353.4028.0](#) [F118010](#) [F119300-B](#) [F132210](#) [F132210-B](#) [F166900](#) [F180100](#) [F258300](#) [F258300-B](#) [F294300-B](#) [F339100](#) [F339700](#) [F358300-](#)
[B](#) [F374110](#) [F407400](#) [F412210](#) [F427600](#) [F444110](#) [F487000](#) [F495100-B](#) [F500900-B](#) [F509500B-B](#) [770444-1](#) [776880-1](#) [827153-1](#) [881735-1](#)
[8N1515-32-24P](#) [9-1326727-8](#) [9-1326729-8](#) [925467-1](#) [925474-1](#) [928905-1](#) [936398-2](#) [964562-1](#) [964562-4](#) [964731-2](#) [965051-1](#) [968782-1](#)
[GT17SA-8DS-HU](#) [GT17VS-10DP-5.2CF](#)