

4

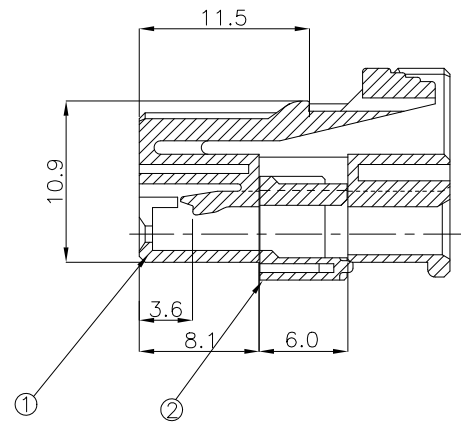
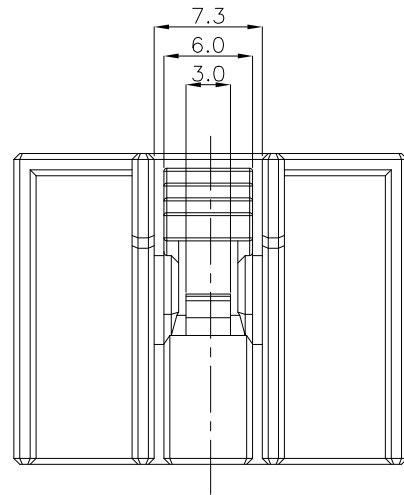
3

2

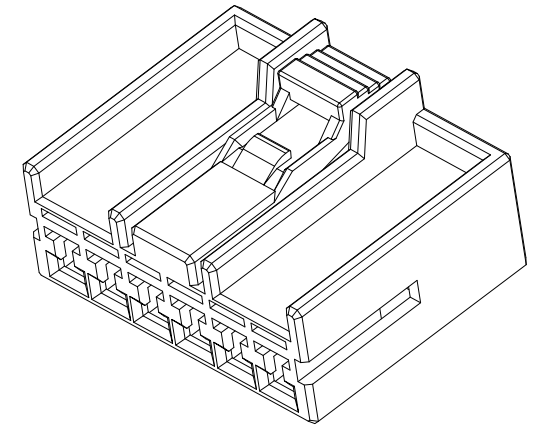
1

THIS DRAWING IS UNPUBLISHED. RELEASED FOR PUBLICATION  
© COPYRIGHT BY TYCO ELECTRONICS CORPORATION, ALL RIGHTS RESERVED.

LOC	DIST	REVISIONS					
		P	LTR	DESCRIPTION	DATE	DWN	APVD
DS	-		B	REVISED (ECR-06-023160)	09.OCT.'06	BS	JK
			B1	REVISED (ECR-09-005043)	24.MAR.'09	KT	HG

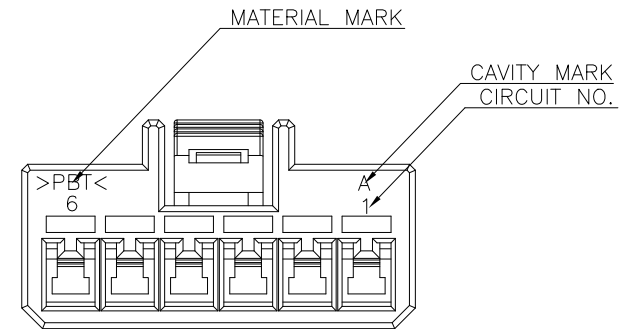
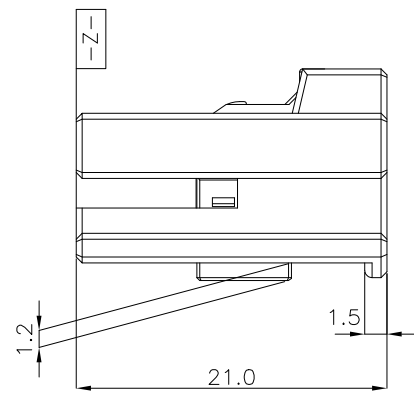
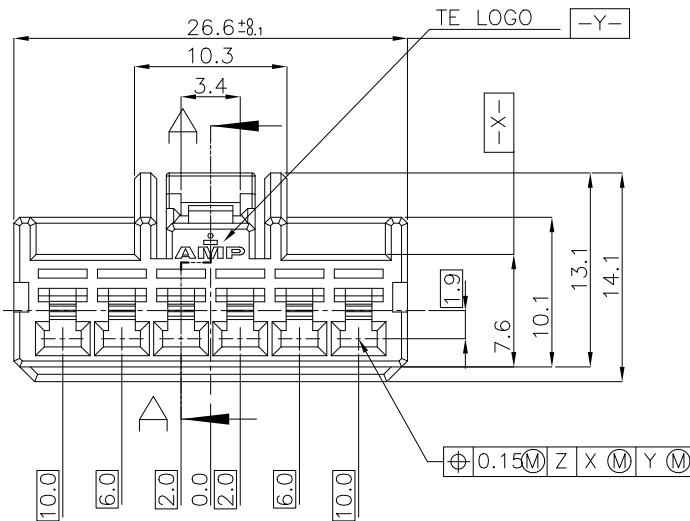


SECTION A - A



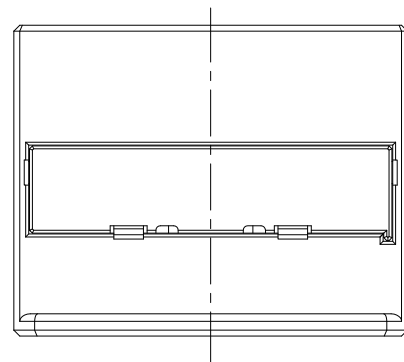
- NOTES:  
 1. THE MATING HSG. P/N ; 936240  
 2. APPLIED CONTACT P/N ;  
 090 II REC.- 368083,368084,368085  
 090 III REC.- 1743654,1743655,1743656,1897753,1897598

- 추가-  
 1. 상대 하우징 P/N. : 936240  
 2. 적용단자 P/N. : 090 II REC.- 368083,368084,368085  
 090 III REC.- 1743654,1743655,1743656,1897753,1897598



ASSY P/N
0-936230-8
0-936230-5
0-936230-4
0-936230-3
0-936230-2
0-936230-1

NO	COLOR	MATERIAL	DESCRIPTION	P/N	QTY
1	BLUE	PBT	PLUG	0-936231-8	1
	YELLOW	PBT	PLUG	0-936231-5	1
	BROWN	PBT	PLUG	0-936231-4	1
	D/GRAY	PBT	PLUG	0-936231-3	1
	BLACK	PBT	PLUG	0-936231-2	1
2	NATURAL	PBT	DBL	0-936094-1	1 1 1 1 1 1



DIMENSIONS: MM TOLERANCES UNLESS OTHERWISE SPECIFIED: 0 <XX<10 ± 0.2 10<XX<30 ± 0.25 30<XX ± 0.3 ANGLES ± 3°		DWN KT JUNG CHK JW JUNG APVD HG CHD PRODUCT SPEC - APPLICATION SPEC - WEIGHT -		<b>Tyco Electronics</b> AMP KOREA, Kyungsan, Korea NAME: 090III 6P PLUG ASS'Y (1ROW)	
MATERIAL SEE TABLE		FINISH		SIZE: A3 CAGE CODE: 00779 DRAWING NO: C-936230	RESTRICTED TO: -
CUSTOMER DRAWING				SCALE: 2/1	SHEET 1 OF 1 REV B1

## X-ON Electronics

Largest Supplier of Electrical and Electronic Components

*Click to view similar products for [Headers & Wire Housings](#) category:*

*Click to view products by [TE Connectivity](#) manufacturer:*

Other Similar products are found below :

[57102-F02-18ULF](#) [58102-G61-06LF](#) [0009485154](#) [009176003701906](#) [0050291907](#) [02.125.8002.8](#) [609-3404](#) [61062-3](#) [622-0430](#) [622-3653LF](#)  
[63453-116](#) [636-1030](#) [636-1427](#) [636-3427](#) [636-4007](#) [641938-9](#) [644827-2](#) [65495-038](#) [65692-001LF](#) [65781-018](#) [65781-047](#) [65817-010LF](#)  
[65817-015LF](#) [66207-023LF](#) [67016-026LF](#) [67095-007LF](#) [68631-112](#) [68645-018](#) [68648-049](#) [699319-000](#) [70.362.1628.0](#) [70-4210](#) [70-4226B](#)  
[70-4853B](#) [707-5020](#) [707-5028](#) [71.350.2428.0](#) [71961-016LF](#) [733-134](#) [754199-000](#) [760-3052](#) [787-8014-00](#) [FCN-367T-T012/H](#) [80.063.4001.1](#)  
[800-90-001-10-001000](#) [800-90-010-10-002000](#) [801-43-002-10-013000](#) [801-43-006-10-002000](#) [803-41-018-10-001000](#) [803-43-014-20-](#)  
[001000](#)