

4

3

2

1

THIS DRAWING IS UNPUBLISHED.

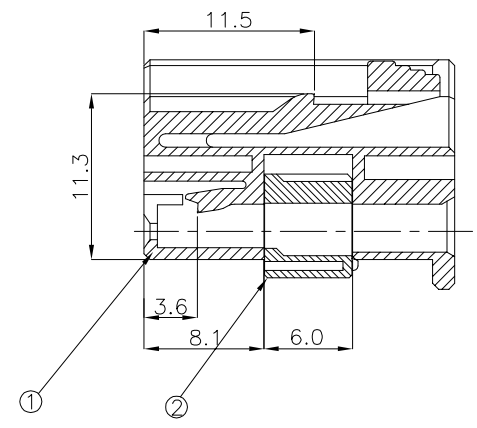
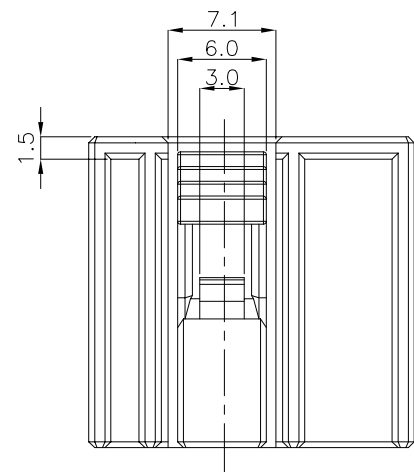
RELEASED FOR PUBLICATION

© COPYRIGHT

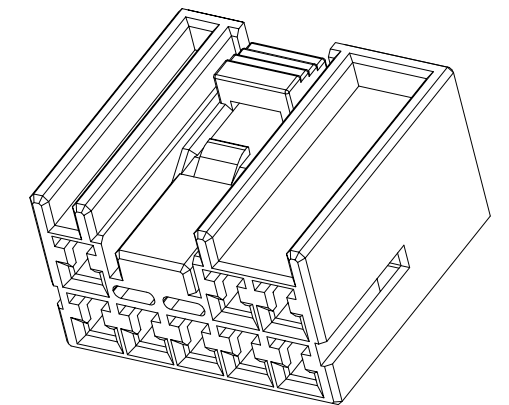
BY TYCO ELECTRONICS CORPORATION, ALL RIGHTS RESERVED.

REVISIONS

P	LTR	DESCRIPTION	DATE	DWN	APVD
	B	REVISED (ECR-06-023165)	09.OCT.'06	BS	JK
	B1	REVISED (ECR-09-005043)	24.MAR.'09	KT	HG
	B2	REVISED (ECR-16-006690)	09.MAY.'16	JM	JW



SECTION A-A

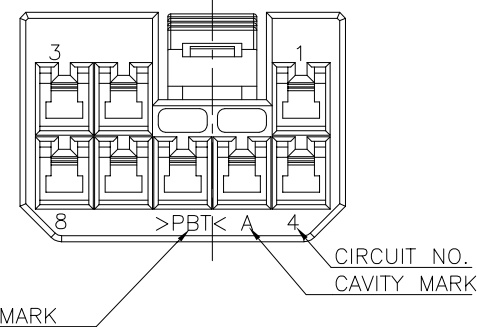
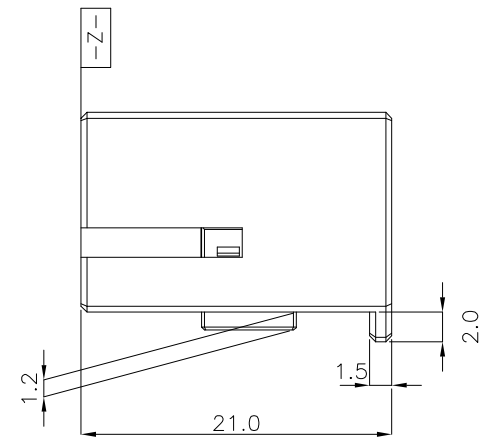
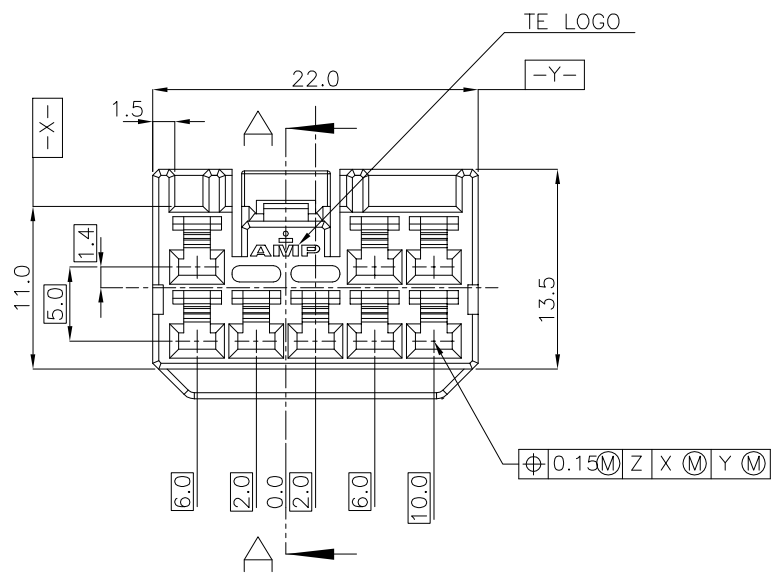


NOTES.

- 1. THE MATING HSG. P/N ; 936242
- 2. APPLIED CONTACT P/N ;
090 II REC. - 368083, 368084, 368085
090 III REC. - 1743654, 1743655, 1743656, 1897753, 1897598

-주거-

- 1. 상대 하우징 P/N. ; 936242
- 2. 적용단자 P/N. ; 090 II REC.- 368083, 368084, 368085
090 III REC.- 1743654, 1743655, 1743656, 1897753, 1897598



ASSY P/N	QTY
936233-8	1
936233-7	1
936233-6	1
936233-5	1
936233-4	1
936233-3	1
936233-2	1
936233-1	1

NO	COLOR	MATERIAL	DESCRIPTION	P/N	QTY
1	BLUE	PBT	PLUG	936234-8	1
	GREEN	PBT	PLUG	936234-7	1
	RED	PBT	PLUG	936234-6	1
	YELLOW	PBT	PLUG	936234-5	1
	BROWN	PBT	PLUG	936234-4	1
	D/GRAY	PBT	PLUG	936234-3	1
	BLACK	PBT	PLUG	936234-2	1
	NATURAL	PBT	PLUG	936234-1	1
2	NATURAL	PBT	DBL	936235-1	1

THIS DRAWING IS A CONTROLLED DOCUMENT FOR TYCO ELECTRONICS CORPORATION IT IS SUBJECT TO CHANGE AND THE CONTROLLING ENGINEERING ORGANIZATION SHOULD BE CONTACTED FOR THE LATEST REVISION.

DIMENSIONS: MM	TOLERANCES UNLESS OTHERWISE SPECIFIED: 0 <XX<10 ± 0.2 10<XX<30 ± 0.25 30<XX ± 0.3 ANGLES ± 3°
MATERIAL	FINISH
SEE TABLE	

DWN	JM JEON
CHK	-
APVD	JW JUNG
PRODUCT SPEC	-
APPLICATION SPEC	-
WEIGHT	-
CUSTOMER DRAWING	

TE TE Connectivity

NAME: 090III 8P PLUG ASS'Y

SIZE: A3 CAGE CODE: 00779 DRAWING NO: 936233 RESTRICTED TO: -

SCALE: 2/1 SHEET: 1 OF 1 REV: B2

X-ON Electronics

Largest Supplier of Electrical and Electronic Components

Click to view similar products for [Headers & Wire Housings](#) category:

Click to view products by [TE Connectivity](#) manufacturer:

Other Similar products are found below :

[95000-104TRLF](#) [10135584-644402LF](#) [DF62W-EP2022PCA](#) [95000-106TRLF](#) [DF62W-2022SCA](#) [DF62W-EP2022PC](#) [2203348](#) [DF62W-2022SC](#) [1084018](#) [1029039](#) [1084017](#) [802-10-012-10-002000](#) [1112640](#) [1112639](#) [891-007-9SS-BST1T](#) [000-34000](#) [0008550134](#) [0009482033](#) [0009507031](#) [57102-F02-18ULF](#) [57102-S06-03LF](#) [57202-S52-04LF](#) [PCN6-15S-2.5E](#) [0039019024](#) [58102-G61-06LF](#) [582553-1](#) [0009485154](#) [0009508121](#) [0022285053](#) [0050291907](#) [018731A](#) [LY20-4P-DT1-P1E-BR](#) [02.125.8002.8](#) [60101931](#) [60598-1 \(Cut Strip\)](#) [M1625-3R/100](#) [61062-3](#) [61082-181009](#) [CSU011177004](#) [636-1427](#) [638009-1](#) [641938-9](#) [641991-4](#) [644168-1](#) [644827-2](#) [647662-1](#) [65039-019ELF](#) [65692-001LF](#) [65781-018](#) [65781-047](#)