

| | | | | |
|--|--|-------------------------|--------------|---------------|
| CUSTOMER DRAWING | | SCALE 2/1 | SHEET 1 OF 1 | REV A1 |
| 090III 2P CAP ASS'Y | | CAGE CODE 00779C=936236 | SIZE A3 | RESTRICTED TO |
| AMP KOREA, Tyco Electronics Kyungsan, Korea | | APVD KT JUNG | CHK JW JUNG | DWN KT JUNG |
| APVD HG CHD TOLERANCES UNLESS OTHERWISE SPECIFIED: | | DIMENSIONS: MM | | |
| PRODUCT SPEC - | | 0 <XX<10 ± 0.2 | | |
| APPLICATION SPEC - | | 10<XX<30 ± 0.25 | | |
| WEIGHT - | | 30<XX ± 0.3 | | |
| | | ANGLES ± 3° | | |
| | | FINISH | | |
| | | MATERIAL | | |
| | | SEE TABLE | | |

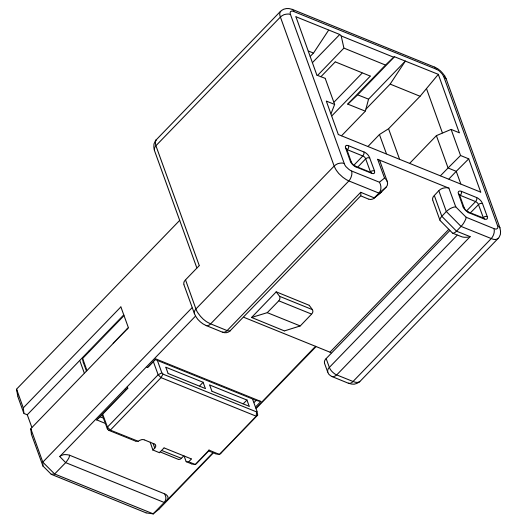
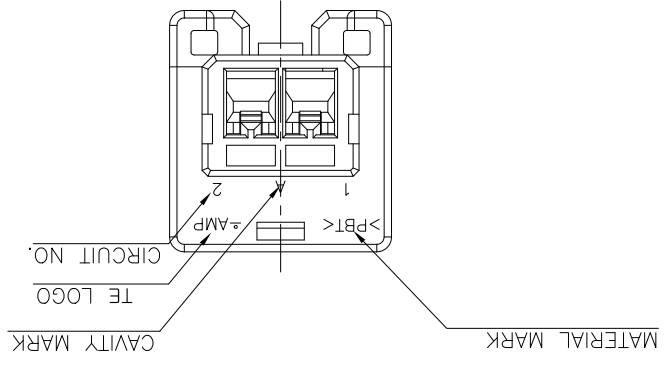
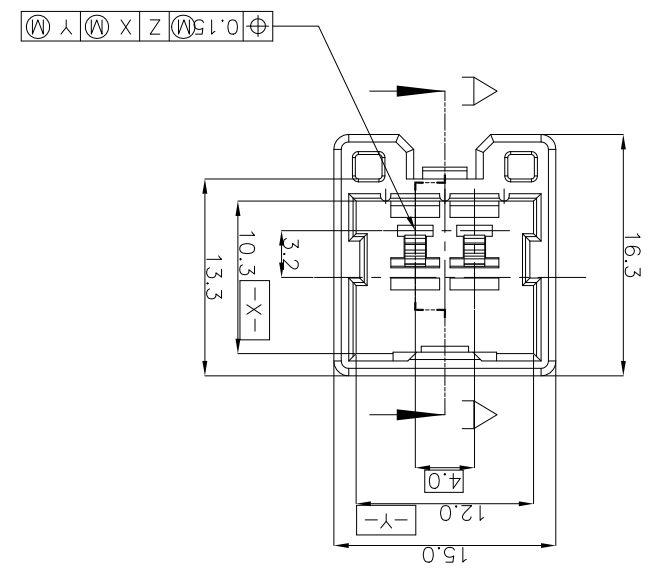
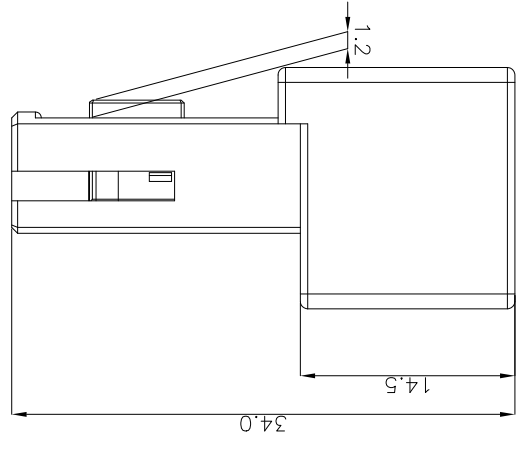
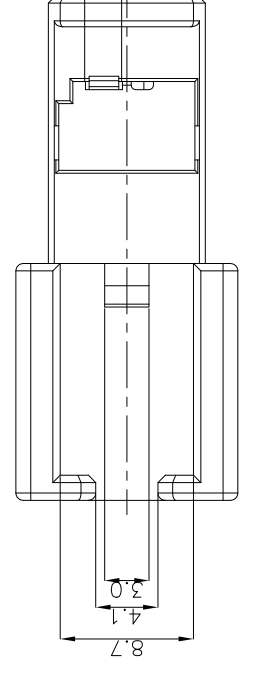
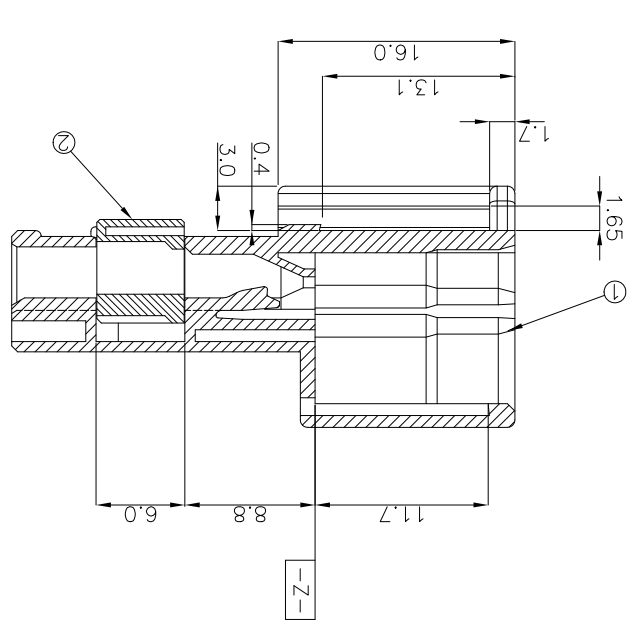
| NO | COLOR | MATERIAL | DESCRIPTION | P/N | QTY |
|----|---------|----------|-------------|------------|-----|
| 2 | NATURAL | PBT | DBL | 0-936226-1 | 1 |
| 1 | NATURAL | PBT | CAP | 0-936237-1 | 1 |
| | BLACK | PBT | CAP | 0-936237-2 | 1 |
| | D/GRAY | PBT | CAP | 0-936237-3 | 1 |
| | BROWN | PBT | CAP | 0-936237-4 | 1 |
| | YELLOW | PBT | CAP | 0-936237-5 | 1 |
| | BLUE | PBT | CAP | 0-936237-8 | 1 |

| ASSY P/N |
|------------|
| 0-936236-8 |
| 0-936236-5 |
| 0-936236-4 |
| 0-936236-3 |
| 0-936236-2 |
| 0-936236-1 |

NOTES:
 1. THE MATING HSG. P/N ; 936224
 2. APPLIED CONTACT P/N ; 090 II TAB. - 368086, 368087, 368088, 189752
 -주기-
 1. 상대 하우징 P/N : 936224
 2. 적용단자 P/N : 090 II TAB. - 368086, 368087, 368088, 189752

THIS DRAWING IS A CONTROLLED DOCUMENT FOR TYCO ELECTRONICS CORPORATION. IT IS SUBJECT TO CHANGE AND THE CONTROLLING ENGINEERING ORGANIZATION SHOULD BE CONTACTED FOR THE LATEST REVISION.

DWN KT JUNG
 CHK JW JUNG
 APVD HG CHD



| REV | DATE | DESCRIPTION | DWN | APVD |
|-----|------------|-------------|-----|------|
| A1 | 24.MAR.'09 | KT | HG | |
| A | 28.JAN.'03 | KT LIM | CS | |
| | | REVISIIONS | | |

A

A

B

B

C

C

D

D

1

2

3

4

X-ON Electronics

Largest Supplier of Electrical and Electronic Components

Click to view similar products for [Headers & Wire Housings](#) category:

Click to view products by [TE Connectivity](#) manufacturer:

Other Similar products are found below :

[95000-104TRLF](#) [10135584-644402LF](#) [DF62W-EP2022PCA](#) [95000-106TRLF](#) [DF62W-2022SCA](#) [DF62W-EP2022PC](#) [2203348](#) [DF62W-2022SC](#) [1084018](#) [1029039](#) [1084017](#) [802-10-012-10-002000](#) [1112640](#) [1112639](#) [891-007-9SS-BST1T](#) [000-34000](#) [0008550134](#) [0009482033](#) [0009507031](#) [57102-F02-18ULF](#) [57102-S06-03LF](#) [57202-S52-04LF](#) [PCN6-15S-2.5E](#) [0039019024](#) [58102-G61-06LF](#) [582553-1](#) [0009485154](#) [0009508121](#) [0022285053](#) [0050291907](#) [018731A](#) [LY20-4P-DT1-P1E-BR](#) [02.125.8002.8](#) [60101931](#) [60598-1 \(Cut Strip\)](#) [M1625-3R/100](#) [61062-3](#) [61082-181009](#) [CSU011177004](#) [636-1427](#) [638009-1](#) [641938-9](#) [641991-4](#) [644168-1](#) [644827-2](#) [647662-1](#) [65039-019ELF](#) [65692-001LF](#) [65781-018](#) [65781-047](#)