

4

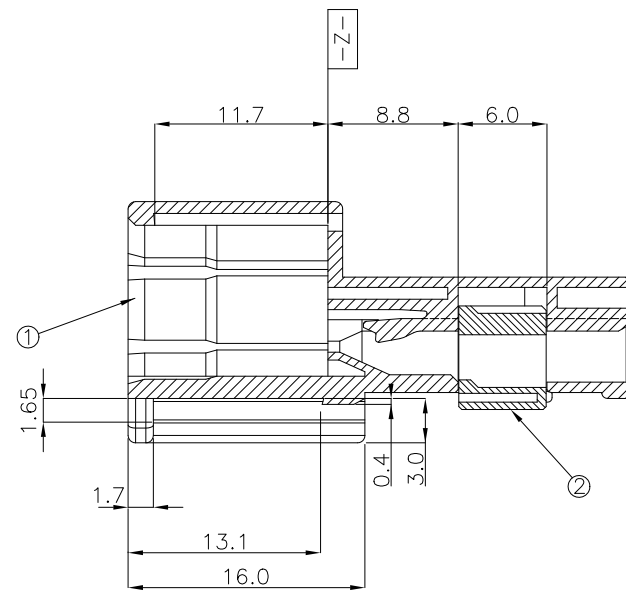
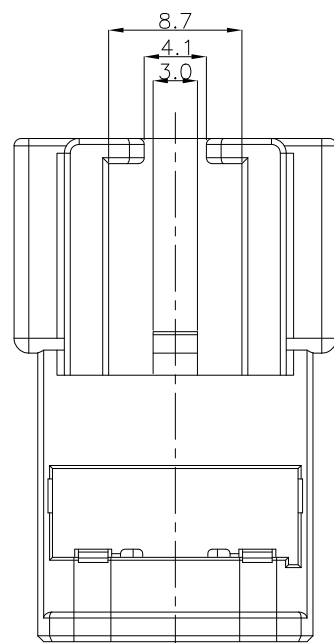
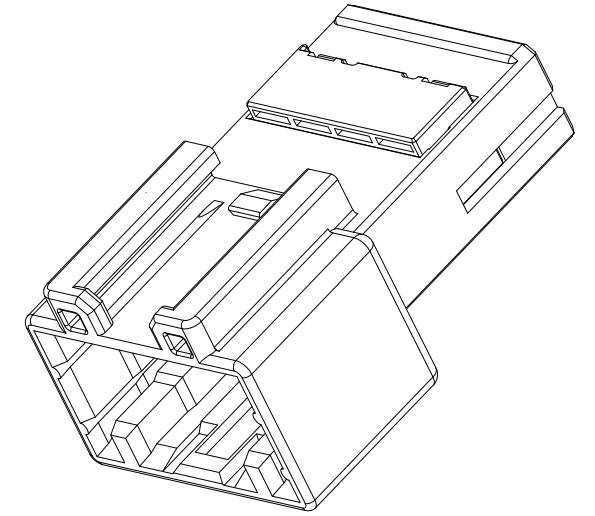
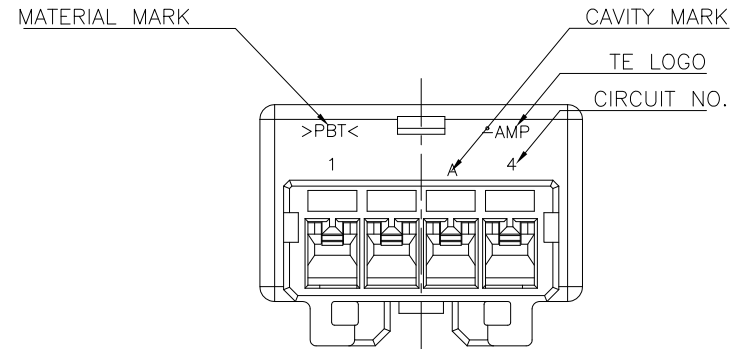
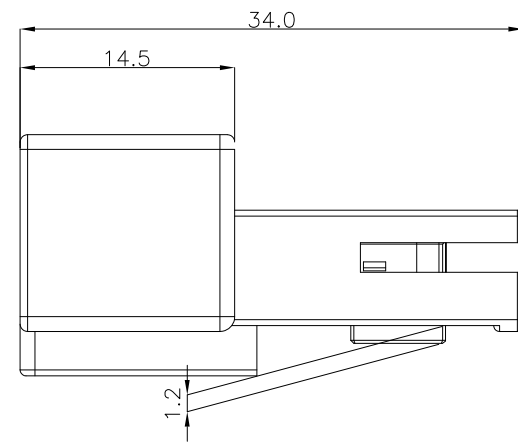
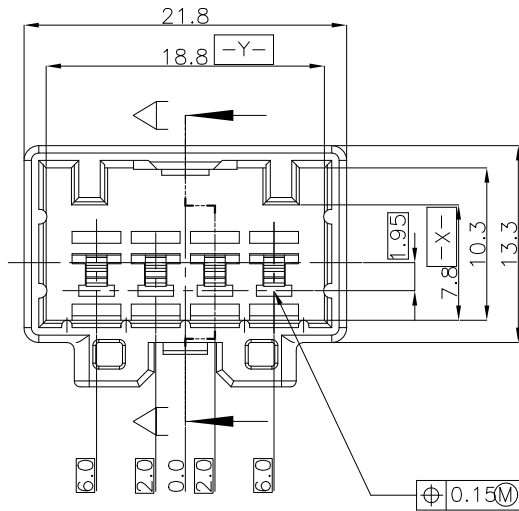
3

2

1

THIS DRAWING IS UNPUBLISHED. RELEASED FOR PUBLICATION
© COPYRIGHT BY TYCO ELECTRONICS CORPORATION, ALL RIGHTS RESERVED.

LOC	DIST	REVISIONS					
		P	LTR	DESCRIPTION	DATE	DWN	APVD
DS	-		B	REVISED (ECR-08-015583)	20.JUN.'08	KT	HG
			B1	REVISED (ECR-09-005035)	24.MAR.'09	KT	HG



SECTION A-A

NOTES.

- 1. THE MATING HSG. P/N ; 936227
- 2. APPLIED CONTACT P/N ; 090 II TAB. - 368086, 368087, 368088, 1897752

-주기-

- 1. 상대 하우징 P/N ; 936227
- 2. 적용단자 P/N ; 090 II TAB. - 368086, 368087, 368088, 1897752

ASSY P/N
0-936238-8
0-936238-7
0-936238-6
0-936238-5
0-936238-4
0-936238-3
0-936238-2
0-936238-1

NO	COLOR	MATERIAL	DESCRIPTION	P/N	QTY
1	BLUE	PBT	CAP	0-936239-8	1
	GREEN	PBT	CAP	0-936239-7	1
	RED	PBT	CAP	0-936239-6	1
	YELLOW	PBT	CAP	0-936239-5	1
	BROWN	PBT	CAP	0-936239-4	1
	D/GRAY	PBT	CAP	0-936239-3	1
	BLACK	PBT	CAP	0-936239-2	1
	NATURAL	PBT	CAP	0-936239-1	1
2	NATURAL	PBT	DBL	0-936270-1	1 1 1 1 1 1 1 1

THIS DRAWING IS A CONTROLLED DOCUMENT FOR TYCO ELECTRONICS CORPORATION IT IS SUBJECT TO CHANGE AND THE CONTROLLING ENGINEERING ORGANIZATION SHOULD BE CONTACTED FOR THE LATEST REVISION.

DIMENSIONS: MM	TOLERANCES UNLESS OTHERWISE SPECIFIED: 0 <XX<10 ± 0.2 10<XX<30 ± 0.25 30<XX ± 0.3 ANGLES ± 3°
MATERIAL	FINISH
SEE TABLE	

DWN KT JUNG
CHK JW JUNG
APVD HG CHD
PRODUCT SPEC -
APPLICATION SPEC -
WEIGHT -

Tyco Electronics AMP KOREA, Kyungsan, Korea
NAME: 090III 4P CAP ASS'Y

SIZE: A3 CAGE CODE: 00779 DRAWING NO: C-936238 RESTRICTED TO: -

CUSTOMER DRAWING SCALE: 2/1 SHEET: 1 OF 1 REV: B1

X-ON Electronics

Largest Supplier of Electrical and Electronic Components

Click to view similar products for [Automotive Connectors](#) category:

Click to view products by [TE Connectivity](#) manufacturer:

Other Similar products are found below :

[003-018-000](#) [60993906-B](#) [M902-2131](#) [M902-2161](#) [M902-2344](#) [72.330.1035.1](#) [73.353.4028.0](#) [F166900](#) [F358300-B](#) [F407400](#) [776880-1](#)
[827153-1](#) [8N1515-32-24P](#) [9-1326729-8](#) [925474-1](#) [928905-1](#) [964562-4](#) [968782-1](#) [98891-1012](#) [12004475-L](#) [12020308](#) [12041318-B](#)
[12052466](#) [12064869](#) [12015909](#) [1-21030-1](#) [12041254](#) [12041318](#) [12047946-B](#) [12110546-B](#) [12131792](#) [12084688](#) [12092346](#) [HD34-18-14PT](#)
[HDB36-24-16PN-059](#) [HDP26-24-9SE-L015](#) [12185280](#) [12185550](#) [12336-12](#) [12191172-B](#) [12S](#) [13577943](#) [13681974](#) [13737722-B](#) [13830674](#)
[13832576](#) [13849772](#) [13542772](#) [13589871-B](#) [13595623](#)