

CUSTOMER DRAWING		SCALE 2/1	SHEET 1 OF 1	REV C1
APPLICATOR SPEC		CAGE CODE DRAWING NO 00779C=936268		
PRODUCT SPEC		090III 6P PLUG ASS'Y (2ROW)		
APVD		AMP KOREA, Tyco Electronics		
CHK		KJ JUNG		
DWN		KT JUNG		

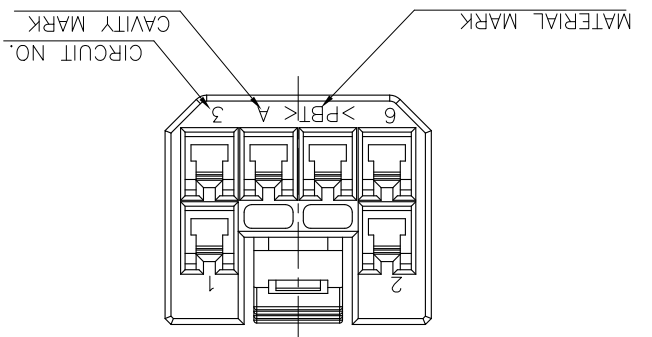
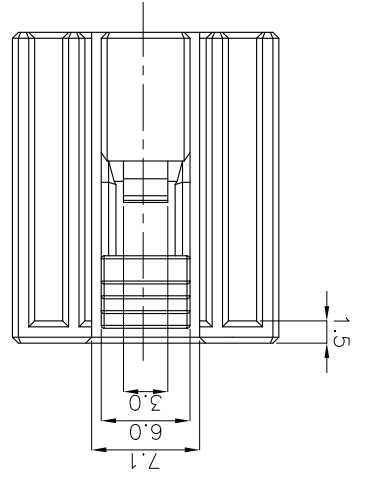
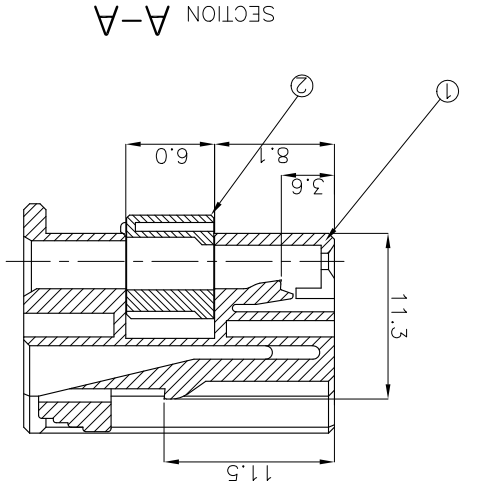
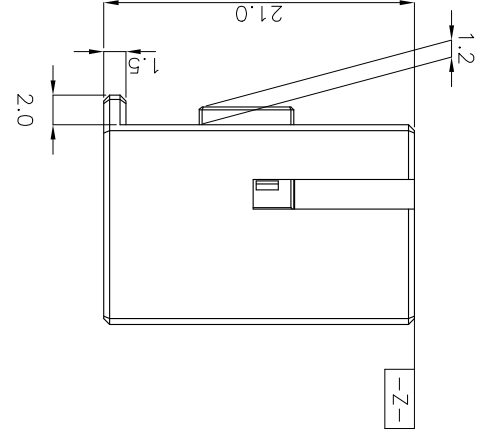
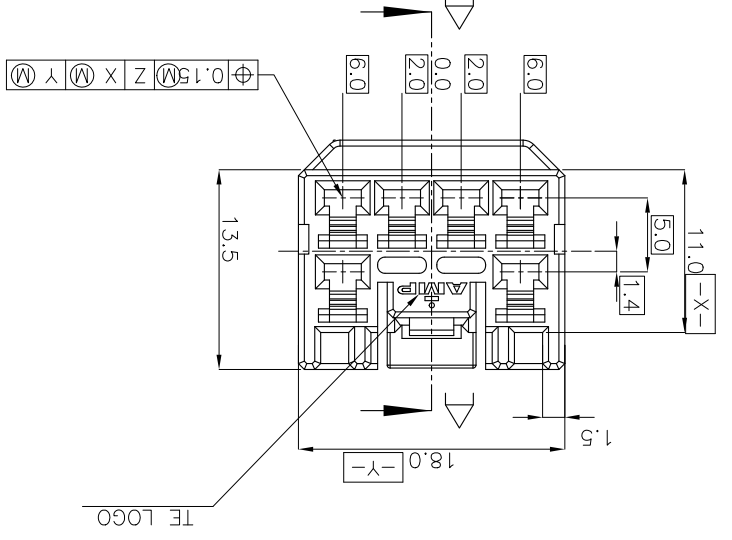
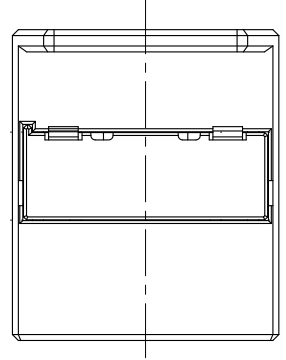
NO	COLOR	MATERIAL	DESCRIPTION	P/N	QTY
2	NATURAL	PBT	DBL	0-936270-1	1
1	NATURAL	PBT	PLUG	0-936269-1	1
	BLACK	PBT	PLUG	0-936269-2	1
	D/GRAY	PBT	PLUG	0-936269-3	1
	BROWN	PBT	PLUG	0-936269-4	1
	YELLOW	PBT	PLUG	0-936269-5	1
	RED	PBT	PLUG	0-936269-6	1
	GREEN	PBT	PLUG	0-936269-7	1
	BLUE	PBT	PLUG	0-936269-8	1

ASSY P/N
0-936268-8
0-936268-7
0-936268-6
0-936268-5
0-936268-4
0-936268-3
0-936268-2
0-936268-1

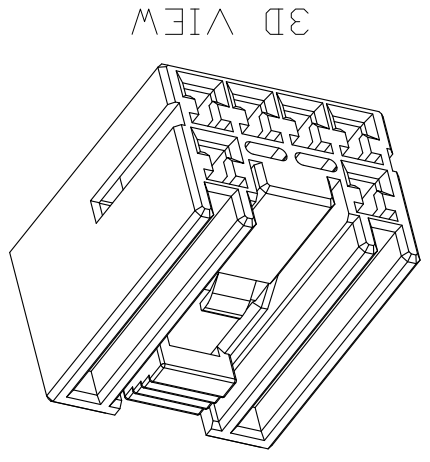
MATERIAL	SEE TABLE
FINISH	
DIMENSIONS:	MM
TOLERANCES UNLESS OTHERWISE SPECIFIED:	0 <XX<10 ± 0.2 10<XX<30 ± 0.25 30<XX ± 0.3 ANGLES ± 3°

THIS DRAWING IS A CONTROLLED DOCUMENT FOR TYCO ELECTRONICS CORPORATION. IT IS SUBJECT TO CHANGE AND THE CONTROLLING ENGINEERING ORGANIZATION SHOULD BE CONTACTED FOR THE LATEST REVISION.

AMP KOREA, Tyco Electronics
KJ JUNG
KT JUNG



NOTES:
 1. THE MATING HSG. P/N : 936271
 2. APPLIED CONTACT P/N : 090 III REC. - 368083, 368084, 368085
 090 III REC. - 1743654, 1743655, 1743656, 1897753, 1897598
 -추가-
 1. 산대 하우징 P/N : 936271
 2. 적용단자 P/N : 090 II REC. - 368083, 368084, 368085
 090 III REC. - 1743654, 1743655, 1743656, 1897753, 1897598



REV	DATE	DESCRIPTION	APVD
C1	24.MAR.'09	KT	HG
C	20.JUN.'08	KT	HG

X-ON Electronics

Largest Supplier of Electrical and Electronic Components

Click to view similar products for [Headers & Wire Housings](#) category:

Click to view products by [TE Connectivity](#) manufacturer:

Other Similar products are found below :

[95000-104TRLF](#) [10135584-644402LF](#) [DF62W-EP2022PCA](#) [95000-106TRLF](#) [DF62W-2022SCA](#) [DF62W-EP2022PC](#) [2203348](#) [DF62W-2022SC](#) [1084018](#) [1029039](#) [1084017](#) [802-10-012-10-002000](#) [1112640](#) [1112639](#) [891-007-9SS-BST1T](#) [000-34000](#) [0008550134](#) [0009482033](#) [0009507031](#) [57102-F02-18ULF](#) [57102-S06-03LF](#) [57202-S52-04LF](#) [PCN6-15S-2.5E](#) [0039019024](#) [58102-G61-06LF](#) [582553-1](#) [0009485154](#) [0009508121](#) [0022285053](#) [0050291907](#) [018731A](#) [LY20-4P-DT1-P1E-BR](#) [02.125.8002.8](#) [60101931](#) [60598-1 \(Cut Strip\)](#) [M1625-3R/100](#) [61062-3](#) [61082-181009](#) [CSU011177004](#) [636-1427](#) [638009-1](#) [641938-9](#) [641991-4](#) [644168-1](#) [644827-2](#) [647662-1](#) [65039-019ELF](#) [65692-001LF](#) [65781-018](#) [65781-047](#)