

4

3

2

1

THIS DRAWING IS UNPUBLISHED.

RELEASED FOR PUBLICATION

,19

© COPYRIGHT 19

BY AMP INCORPORATED. ALL RIGHTS RESERVED.

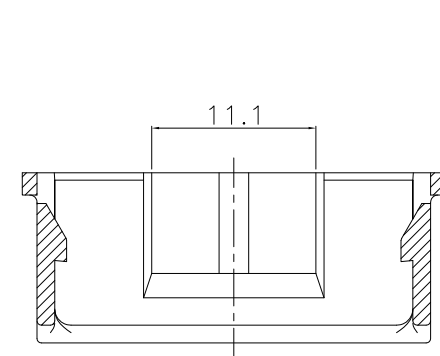
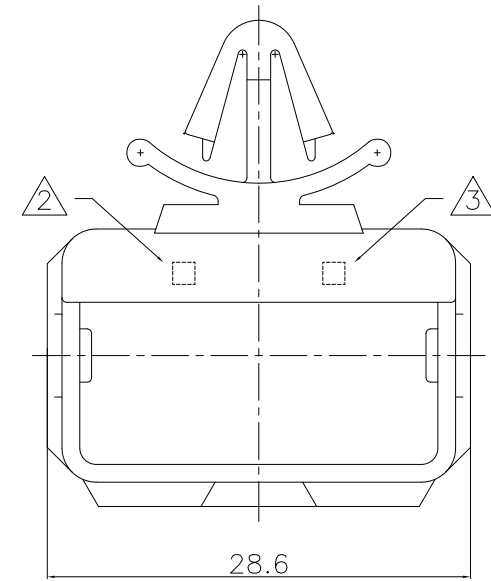
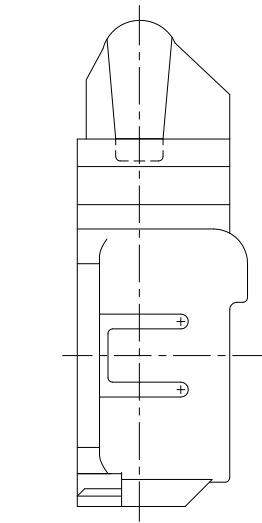
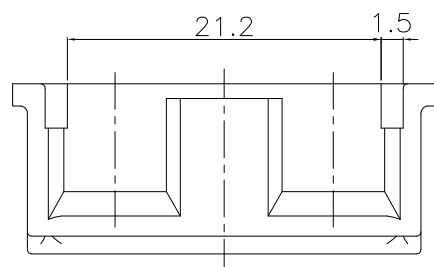
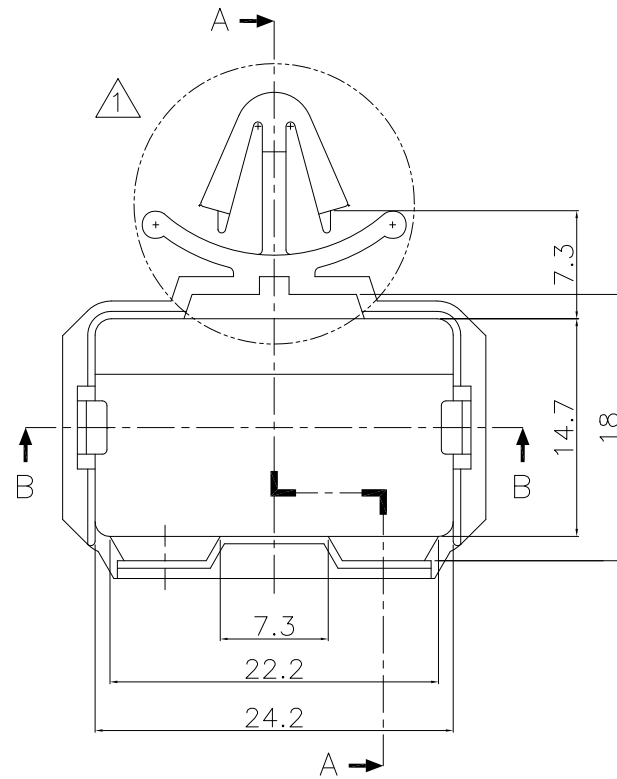
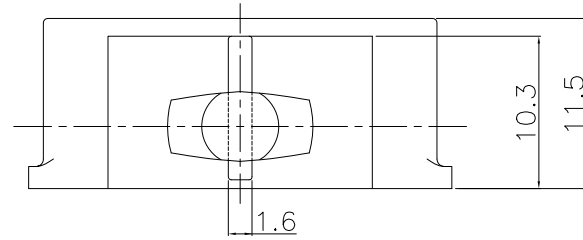
LOC

DIST

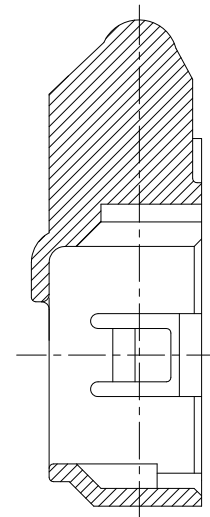
REVISIONS

P	LTR	DESCRIPTION	DATE	DWN	APVD
O		RELEASED (FC00-0119-01)	06/NOV/01	YD	CS
A		REVISED (ECR-05-009469)	23/AUG/05	IS	JK
B		REVISED (ECR-08-030553)	02/FEB/09	YM	HC

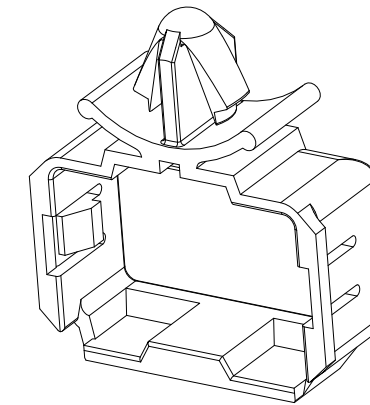
936273-1



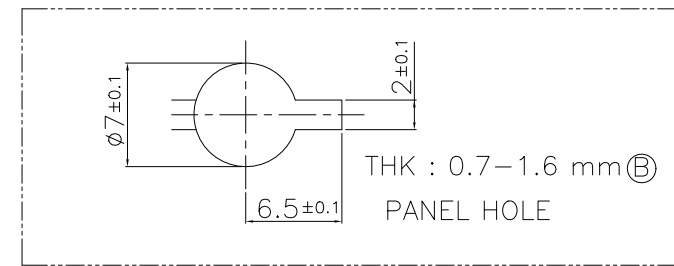
SECTION B-B



SECTION A-A



3D VIEW

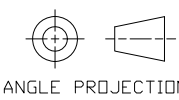


NOTES

- 1. EACH P/NO IS DIFFERENTIATED BY ONLY THIS FIGURE DUE TO PANEL & JPT
- 2. CAVITY MARK
- 3. TE LOGO

THIS DRAWING IS A CONTROLLED DOCUMENT FOR AMP INCORPORATED. IT IS SUBJECT TO CHANGE AND THE CONTROLLING ENGINEERING ORGANIZATION SHOULD BE CONTACTED FOR THE LATEST REVISION.

DIMENSIONS: MM



MATERIAL NYLON 66 (DSC201IR, BLACK)

TOLERANCES UNLESS OTHERWISE SPECIFIED:

- 0<XX<10 ± 0.2
- 10<XX<30 ± 0.25
- 30<XX<100 ± 0.3
- ANGLES ± 3°

FINISH

936273-1	ø7 (THK:0.7-1.6) (B) KEY HOLE	85205/368366/368356(STD), 368000/936136(MULTI)
P/NO	PANEL HOLE & THK	APPLICABLE P/NO OF JPT 3P ASS'Y
DWN Y.M.LEE	AMP KOREA. Kyungsan, Korea	
CHK Y.M.CHOI		
APVD H.G.CHO		
PRODUCT SPEC		
APPLICATION SPEC	NAME CLIP BODY HSG FOR JPT 3P ASS'Y	
WEIGHT 1.87 g	SIZE A3	CAGE CODE 00779
CUSTOMER DRAWING	DRAWING NO. 936273	SCALE 1/2 SHEET 1 OF 3 REV B

4

3

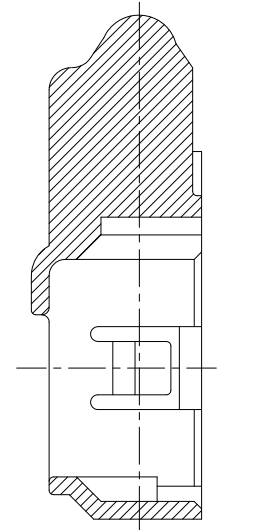
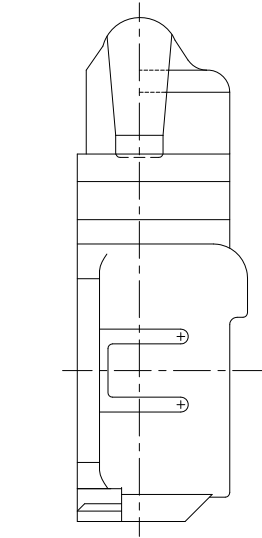
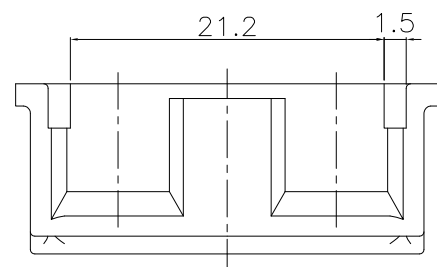
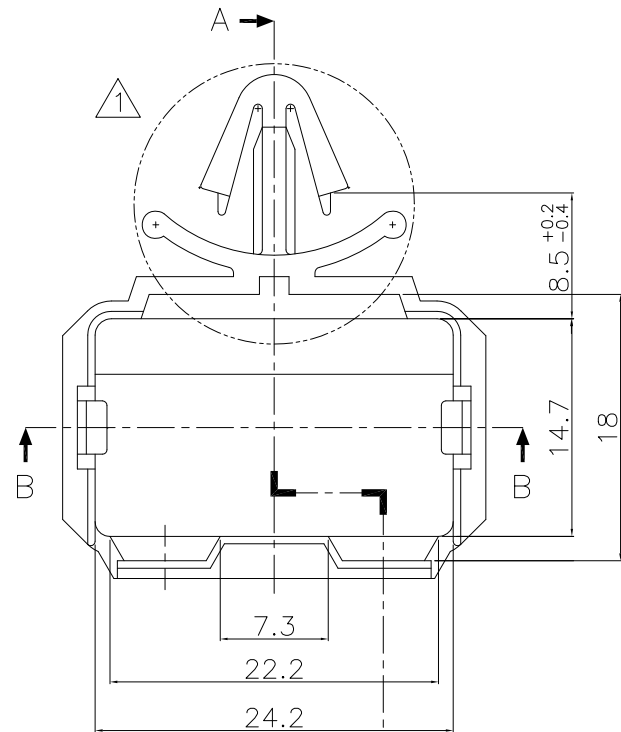
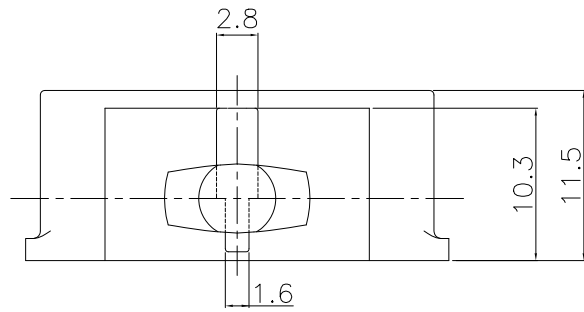
2

1

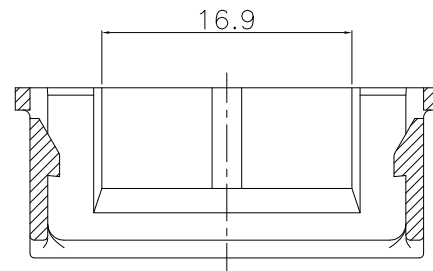
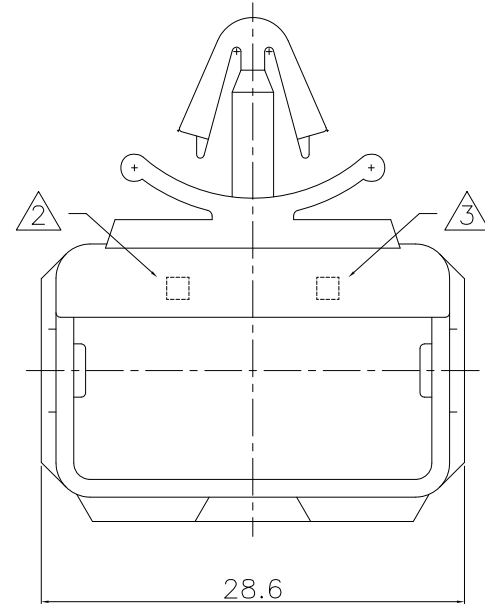
THIS DRAWING IS UNPUBLISHED. RELEASED FOR PUBLICATION ,19 .  
© COPYRIGHT 19 BY AMP INCORPORATED. ALL RIGHTS RESERVED.

LOC	DIST	REVISIONS					
DS		P	LTR	DESCRIPTION	DATE	DWN	APVD
		SEE SHEET 1/3					

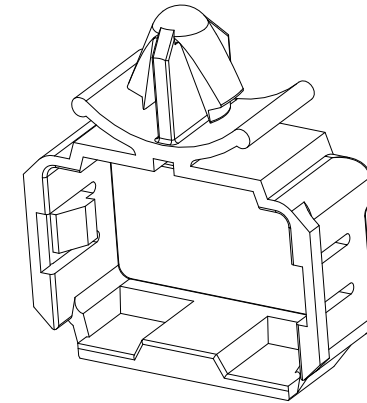
936273-2



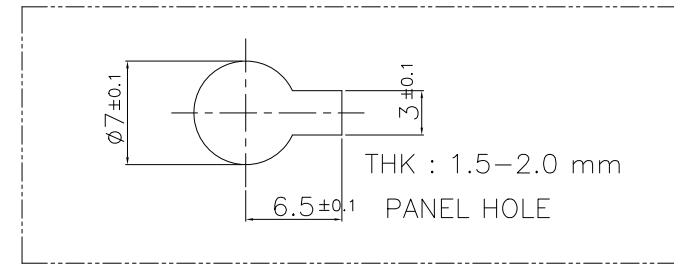
SECTION A-A



SECTION B-B



3D VIEW

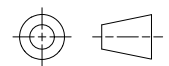


NOTES

- 1. EACH P/NO IS DIFFERENTIATED BY ONLY THIS FIGURE DUE TO PANEL & JPT
- 2. CAVITY MARK
- 3. TE LOGO

THIS DRAWING IS A CONTROLLED DOCUMENT FOR AMP INCORPORATED. IT IS SUBJECT TO CHANGE AND THE CONTROLLING ENGINEERING ORGANIZATION SHOULD BE CONTACTED FOR THE LATEST REVISION.

DIMENSIONS: MM



3rd ANGLE PROJECTION

MATERIAL: NYLON 66 (DSC201IR, BLACK)

TOLERANCES UNLESS OTHERWISE SPECIFIED:

- 0<XX<10 ± 0.2
- 10<XX<30 ± 0.25
- 30<XX<100 ± 0.3
- ANGLES ± 3°

FINISH

936273-2	ø7 (THK:1.5-2.0) KEY HOLE	368215(KNOCK SENSOR)
P/NO	PANEL HOLE & THK	APPLICABLE P/NO OF JPT 3P ASS'Y
DWN	CHK	NAME
SEE SHEET 1/3		Tyco Electronics AMP KOREA, Kyungsan, Korea
APVD	PRODUCT SPEC	CLIP BODY HSG FOR JPT 3P ASS'Y
APPLICATION SPEC	WEIGHT	SIZE
	1.97 g	A3
CUSTOMER DRAWING	SCALE	DRAWING NO
	1/2	©-936273
	SHEET	REV
	2	3 B

4

3

2

1

THIS DRAWING IS UNPUBLISHED.

RELEASED FOR PUBLICATION

,19

© COPYRIGHT 19

BY AMP INCORPORATED. ALL RIGHTS RESERVED.

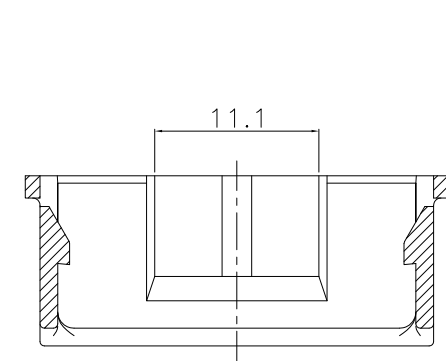
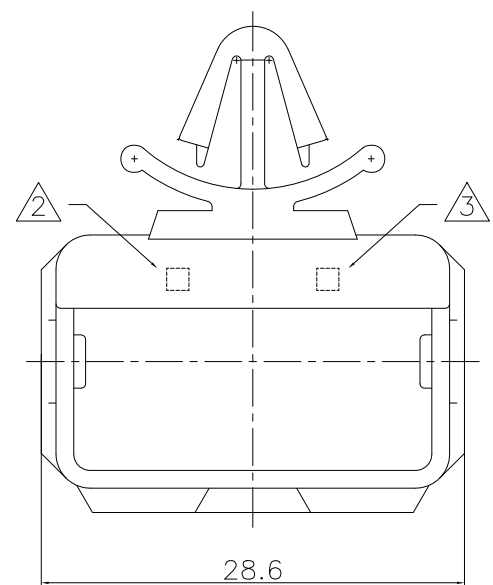
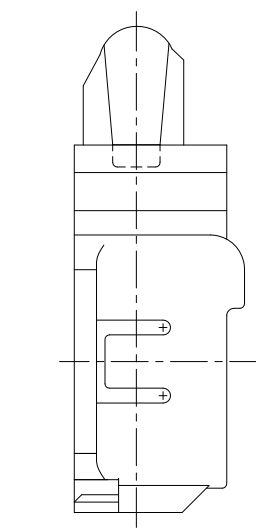
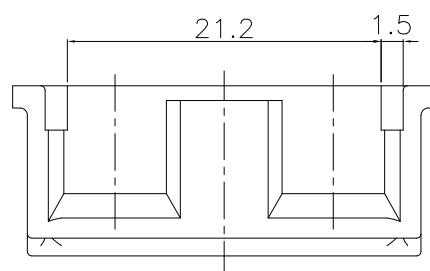
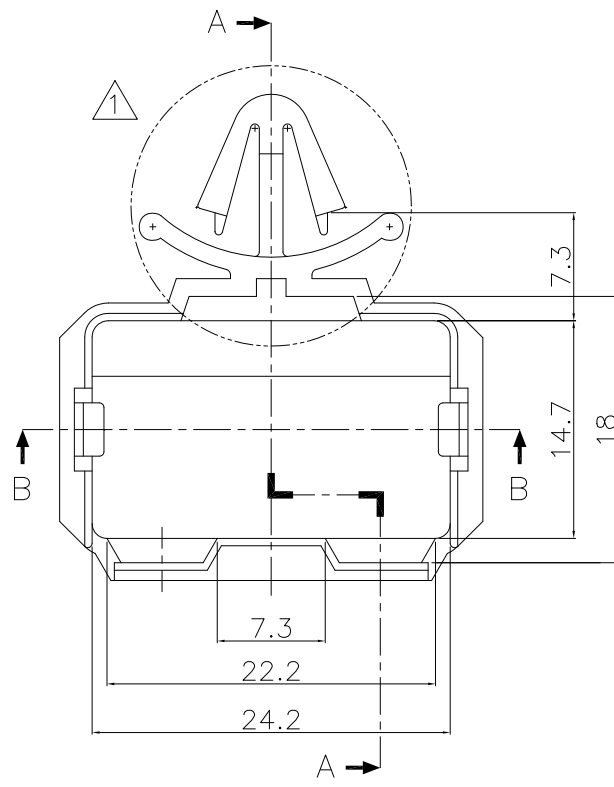
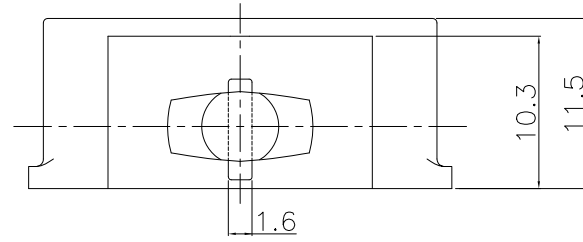
LOC

DIST

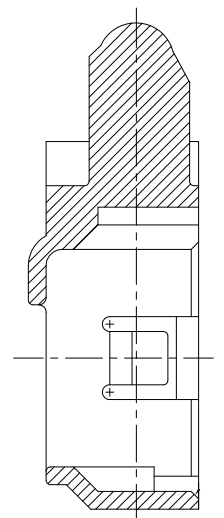
REVISIONS

P	LTR	DESCRIPTION	DATE	DWN	APVD
SEE SHEET 1/3					

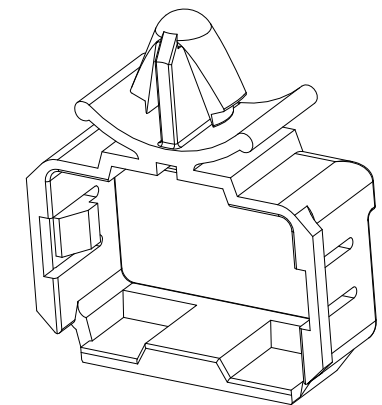
1-936273-1



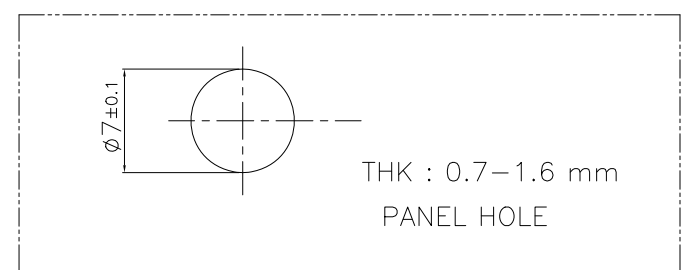
SECTION B-B



SECTION A-A



3D VIEW



THK : 0.7-1.6 mm  
PANEL HOLE

NOTES

- 1. EACH P/NO IS DIFFERENTIATED BY ONLY THIS FIGURE DUE TO PANEL & JPT
- 2. CAVITY MARK
- 3. TE LOGO

THIS DRAWING IS A CONTROLLED DOCUMENT FOR AMP INCORPORATED. IT IS SUBJECT TO CHANGE AND THE CONTROLLING ENGINEERING ORGANIZATION SHOULD BE CONTACTED FOR THE LATEST REVISION.

DIMENSIONS: MM	TOLERANCES UNLESS OTHERWISE SPECIFIED: 0<XX<10 ± 0.2 10<XX<30 ± 0.25 30<XX<100 ± 0.3 ANGLES ± 3°
<p>3rd ANGLE PROJECTION</p>	
MATERIAL NYLON 66 (TEKAMID210IR,DARK GRAY)	FINISH

1-936273-1	ø7 (THK:0.7-1.6) ROUND HOLE	85205/368366/368356(STD), 368000/936136(MULTI)
P/NO	PANEL HOLE & THK	APPLICABLE P/NO OF JPT 3P ASS'Y
DWN	CHK	APVD
SEE SHEET 1/3		NAME
PRODUCT SPEC		AMP KOREA. Kyungsan, Korea
APPLICATION SPEC		CLIP BODY HSG FOR JPT 3P ASS'Y
WEIGHT	1.80 g	SIZE
CUSTOMER DRAWING		CAGE CODE
		DRAWING NO
		A3 00779 ©-936273
		SCALE
		1/2 SHEET 3 OF 3 REV B

## X-ON Electronics

Largest Supplier of Electrical and Electronic Components

*Click to view similar products for [Automotive Connectors](#) category:*

*Click to view products by [TE Connectivity](#) manufacturer:*

Other Similar products are found below :

[003-018-000](#) [60403001](#) [60993906-B](#) [M902-2131](#) [M902-2161](#) [M902-2344](#) [72.330.1035.1](#) [73.353.4028.0](#) [F119300-B](#) [F166900](#) [F258300-B](#)  
[F358300-B](#) [F407400](#) [F444110](#) [F487000](#) [F509500B-B](#) [827153-1](#) [8N1515-32-24P](#) [9-1326729-8](#) [925474-1](#) [928905-1](#) [964562-4](#) [968782-1](#)  
[GT17SA-8DS-HU](#) [98891-1012](#) [98947-1016](#) [12004147](#) [12004475-L](#) [12010290](#) [12010309-B](#) [12015454](#) [12020219-B](#) [12041318-B](#) [12052225-](#)  
[L](#) [12052466](#) [12064869](#) [12004327-B](#) [12015308](#) [12015384](#) [12015909](#) [1-21030-1](#) [12041254](#) [12041318](#) [12047946-B](#) [12047957](#) [12047957-L](#)  
[12059473](#) [12066261](#) [12110546](#) [12110546-B](#)