

4

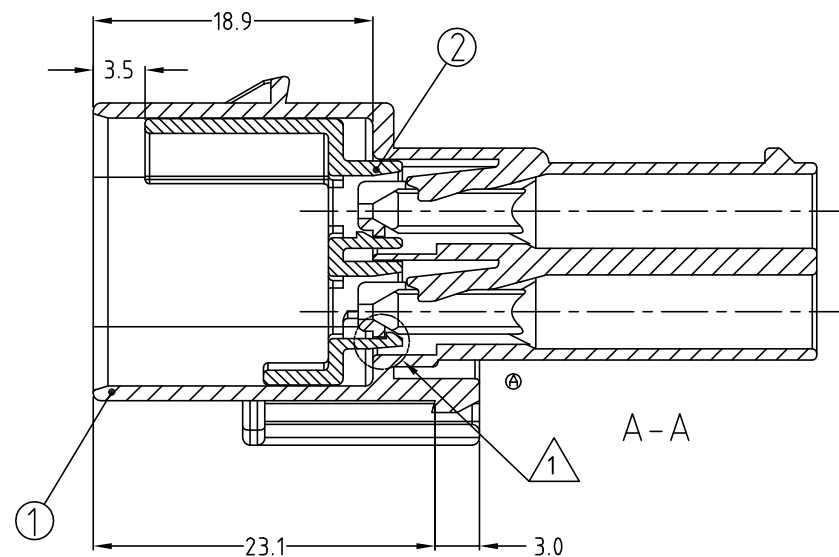
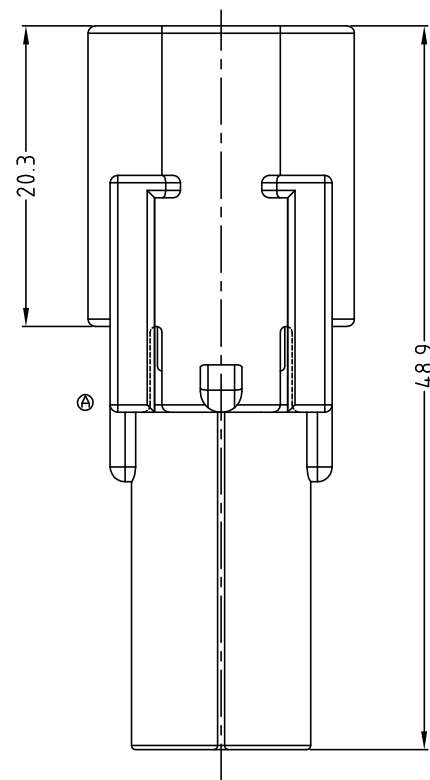
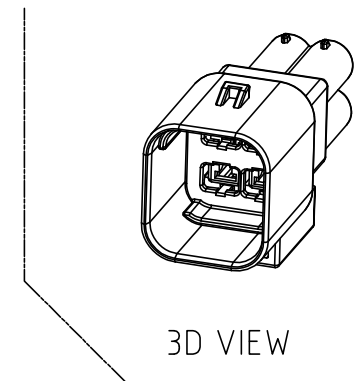
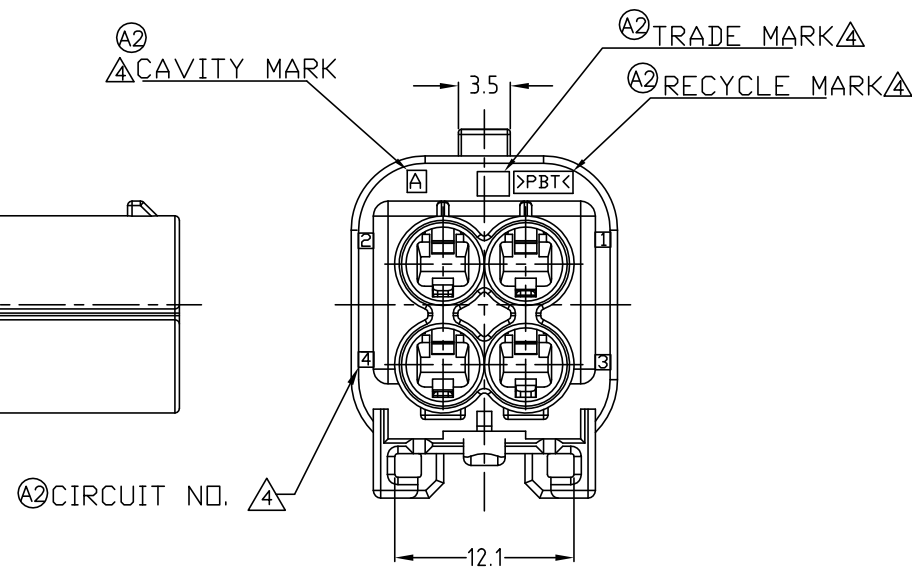
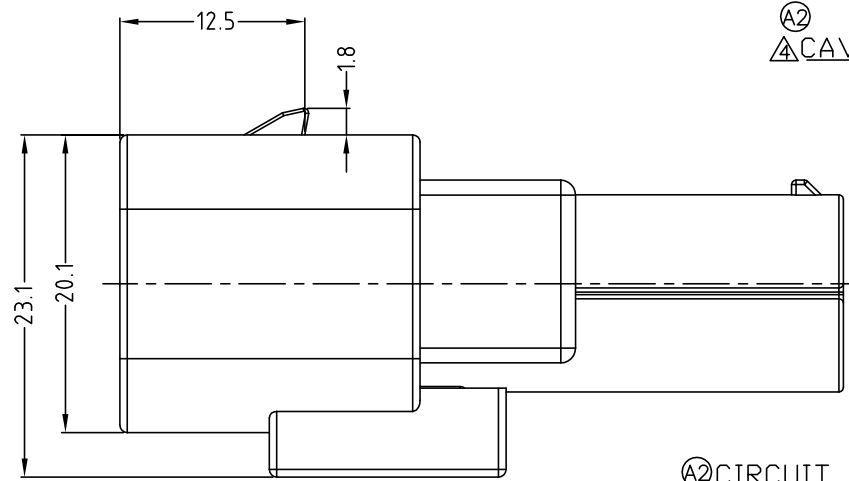
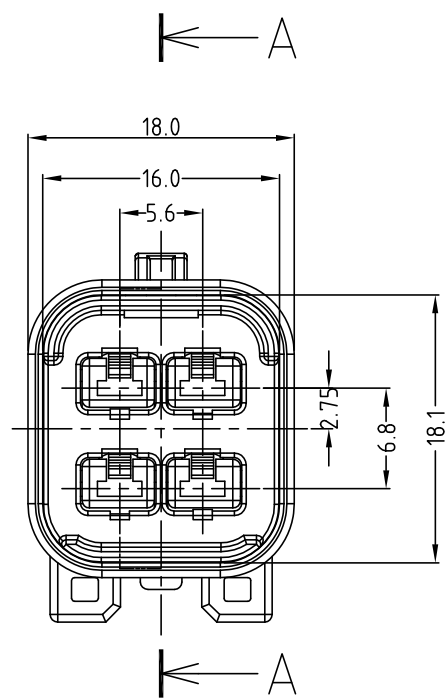
3

2

1

THIS DRAWING IS UNPUBLISHED. RELEASED FOR PUBLICATION  
COPYRIGHT BY TYCO ELECTRONICS CORPORATION, ALL RIGHTS RESERVED.

LOC	DIST	REVISIONS					
		P	LTR	DESCRIPTION	DATE	DWN	APVD
DS	-		A	REVISED(FC00-0317-04)	07,DEC,'04	JG	CS
			A1	REVISED(ECR-06-013973)	09,JUN,'06	YH	JK
			A2	REVISED(ECR-10-017371)	14,SEP,'10	SJ	HG



NOTES.

- 1. CONDITION OF DELIVERY : DBL PLATE IN OPEN POSITION.
- 2. APPLIED TAB CONTACT P/N :

CONTACT	MCP-E TERMINAL	
Part No.	936612-1	936613-1
WIRE SIZE(mm <sup>2</sup> )	1.0 ~ 2.5	0.5 ~ 1.0

- 3. APPLIED FEMALE CONNECTOR P/N : 936254
- 4. ALL CHARACTERS SHALL BE CLEAR AND LEGIBLE
  - TRADE MARK: 1.0 CHARACTERS 0.2 RAISED
  - CAVITY MARK & CURCUIT NO: 1.0 CHARACTERS 0.2 RAISED
  - RECYCLE MARK: 1.0 CHARACTEERS 0.2 RAISED

NO	DESCRIPTION	MATERIAL	COLOR /FINISH	ASS'Y FOR Q'TY		
				A	A	REV
2	DBL HOUSING	PBT GF10	WHITE	1	1	
1	CAP HOUSING	PBT	GRAY	1	•	
			BLACK	•	1	

THIS DRAWING IS A CONTROLLED DOCUMENT FOR TYCO ELECTRONICS CORPORATION IT IS SUBJECT TO CHANGE AND THE CONTROLLING ENGINEERING ORGANIZATION SHOULD BE CONTACTED FOR THE LATEST REVISION.		DWN SJ CHOI
DIMENSIONS: MM		CHK JW JUNG
TOLERANCES UNLESS OTHERWISE SPECIFIED: 0 <XXX<10 ± 0.2 10<XXX<30 ± 0.25 30<XXX ± 0.3 ANGLES ± 3°		APVD HG CHD
MATERIAL SEE TABLE		PRODUCT SPEC -
FINISH SEE TABLE		APPLICATION SPEC -
		WEIGHT -
		CUSTOMER DRAWING

Tyco Electronics Tyco Electronics kyungsan, korea			
NAME MCP-E SEALED 4P CAP ASSEMBLY			
SIZE	CAGE CODE	DRAWING NO	RESTRICTED TO
A3	00779	C=936293	-
SCALE 2/1		SHEET 1 OF 1	REV A2

## X-ON Electronics

Largest Supplier of Electrical and Electronic Components

*Click to view similar products for [Automotive Connectors](#) category:*

*Click to view products by [TE Connectivity](#) manufacturer:*

Other Similar products are found below :

[003-018-000](#) [60403001](#) [60993906-B](#) [M902-2131](#) [M902-2161](#) [M902-2344](#) [72.330.1035.1](#) [73.353.4028.0](#) [F119300-B](#) [F166900](#) [F258300-B](#)  
[F358300-B](#) [F407400](#) [F444110](#) [F487000](#) [F509500B-B](#) [827153-1](#) [8N1515-32-24P](#) [9-1326729-8](#) [925474-1](#) [928905-1](#) [964562-4](#) [968782-1](#)  
[GT17SA-8DS-HU](#) [98891-1012](#) [98947-1016](#) [12004147](#) [12004475-L](#) [12010290](#) [12010309-B](#) [12015454](#) [12020219-B](#) [12041318-B](#) [12052225-](#)  
[L](#) [12052466](#) [12064869](#) [12004327-B](#) [12015308](#) [12015384](#) [12015909](#) [1-21030-1](#) [12041254](#) [12041318](#) [12047946-B](#) [12047957](#) [12047957-L](#)  
[12059473](#) [12066261](#) [12110546](#) [12110546-B](#)