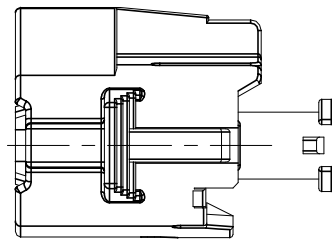
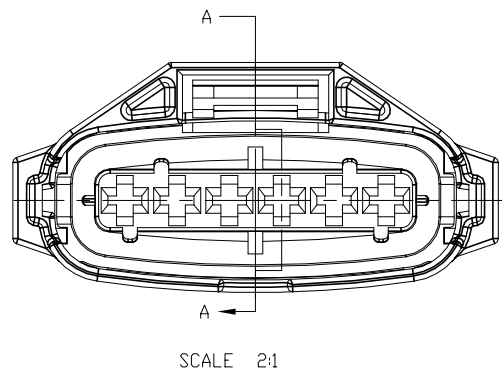
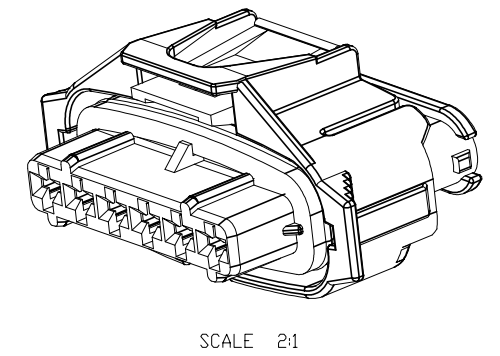
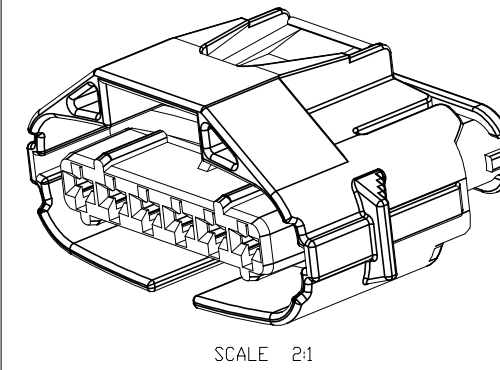
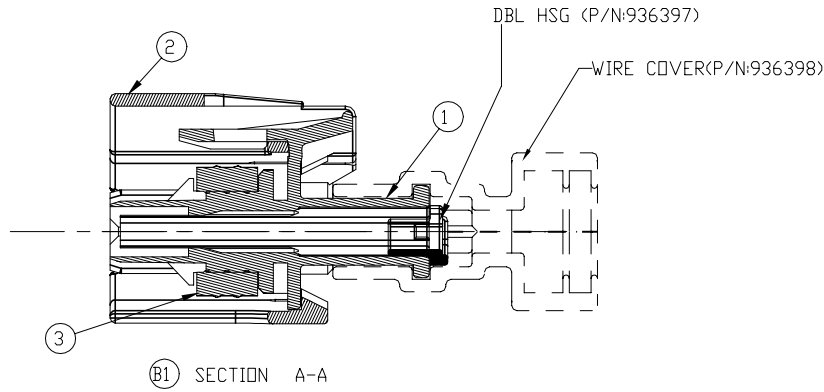
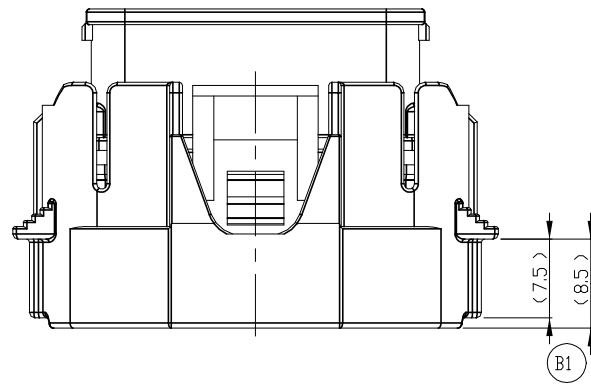
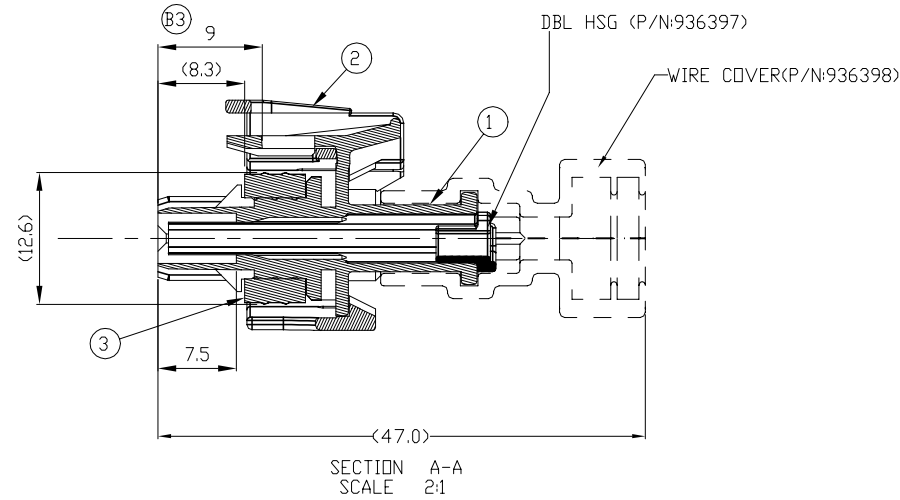
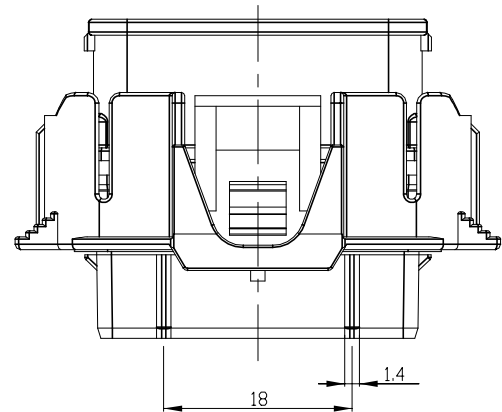


REVISIONS					
P	LTR	DESCRIPTION	DATE	DWN	APVD
B		REVISED (ECR-15-008999)	06JUL2015	SJ	HG
B1		REVISED (ECR-20-011402)	02SEP2020	CI	YJ
B2		REVISED (ECR-20-014410)	01DEC2020	CI	YJ
B3		REVISED (ECR-21-001740)	10FEB2021	CI	YJ

① 1-936394-3



② 0-936394-2



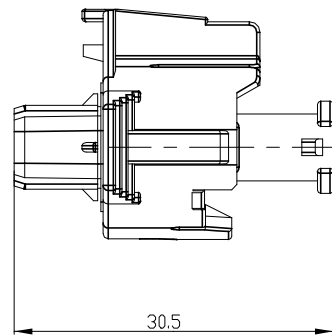
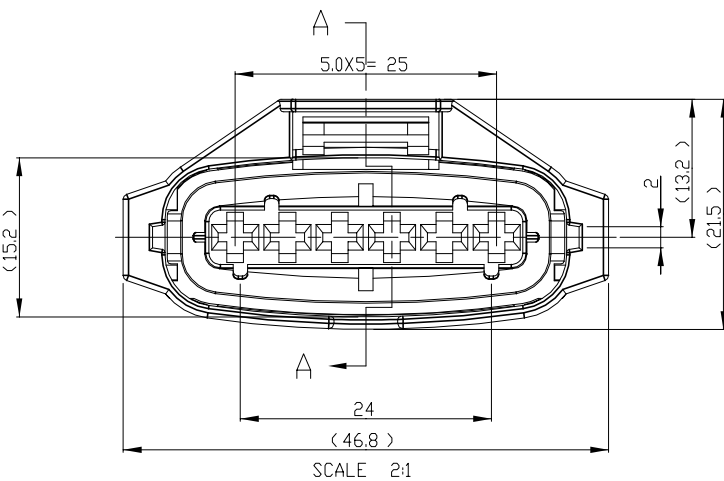
- NOTE  
 1.GENERAL TOLRANCE : ±0.3, ±1°  
 2.0.15 MAX. WARPAGE AND 0.2 MAX. FLASH PERMISSIBLE  
 3.SURFACE DEFECTS ARE NOT ACCEPTABLE AS FOLLOW:  
 SINK, WELD LINES, HAIRCRACKS, SATIN & SCORES  
 4.APPLIED RECEPTACLE CONTACT P/N:

DESCRIPTION	2.8mm SENSOR-FLAT RECEPTACLE
PART NO.	967542 967543
WIRE SIZE (mm2)	0.5~1.0 1.25~2.5

- 5.APPLIED WIRE SEAL P/N:

DESCRIPTION	SINGLE-WIRE SEAL (5mm HOLE)
PART NO.	828904 828905
WIRE SIZE (mm2)	1.2~2.1 2.2~3.0

P/N	DESCRIPTION
1-936394-3	2.8mm SEALED 6P PLUG ASSEMBLY
0-936394-2	2.8mm SEALED 6P PLUG ASSEMBLY



NO.	P/N	DESCRIPTION	COLOR	MATERIAL	QTY
4	936855-1	INNER SEAL	RED ORANGE	SILICONE (LSR)	1
3	1-936396-3	PROTECTOR HSG	GRAY	PA66-GF15	1
2	936396-2	PROTECTOR HSG	BLACK	PA66-GF15	1
1	936395-2	PLUG HSG	BLACK	PA66-GF15	1

THIS DRAWING IS A CONTROLLED DOCUMENT.

DIMENSIONS:	TOLERANCES UNLESS OTHERWISE SPECIFIED:
mm	
0 PLC	±
1 PLC	±0.1
2 PLC	±0.01
3 PLC	±0.001
4 PLC	±0.0001
ANGLES	±
FINISH	-
MATERIAL	SEE TABLE

APVD: S.J. CHOI  
 CHK: J.W. JUNG  
 PRODUCT SPEC: HG CHO  
 APPLICATION SPEC: -  
 WEIGHT: -  
 CUSTOMER DRAWING

**STE** TE Connectivity

NAME: 2.8mm SEALED 6P PLUG ASSEMBLY

SIZE: A2 CAGE CODE: 00779 DRAWING NO: C=936394 RESTRICTED TO: -

SCALE: 1:1 SHEET: 1 OF 1 REV: B3

## X-ON Electronics

Largest Supplier of Electrical and Electronic Components

*Click to view similar products for [Automotive Connectors](#) category:*

*Click to view products by [TE Connectivity](#) manufacturer:*

Other Similar products are found below :

[003-018-000](#) [60403001](#) [60993906-B](#) [M902-2131](#) [M902-2161](#) [M902-2344](#) [72.330.1035.1](#) [73.353.4028.0](#) [F119300-B](#) [F166900](#) [F258300-B](#)  
[F358300-B](#) [F407400](#) [F444110](#) [F487000](#) [F509500B-B](#) [827153-1](#) [8N1515-32-24P](#) [9-1326729-8](#) [925474-1](#) [928905-1](#) [964562-4](#) [968782-1](#)  
[GT17SA-8DS-HU](#) [98891-1012](#) [98947-1016](#) [12004147](#) [12004475-L](#) [12010290](#) [12010309-B](#) [12015454](#) [12020219-B](#) [12041318-B](#) [12052225-](#)  
[L](#) [12052466](#) [12064869](#) [12004327-B](#) [12015308](#) [12015384](#) [12015909](#) [1-21030-1](#) [12041254](#) [12041318](#) [12047946-B](#) [12047957](#) [12047957-L](#)  
[12059473](#) [12066261](#) [12110546](#) [12110546-B](#)