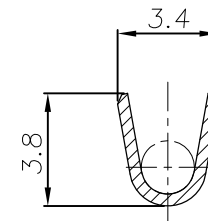
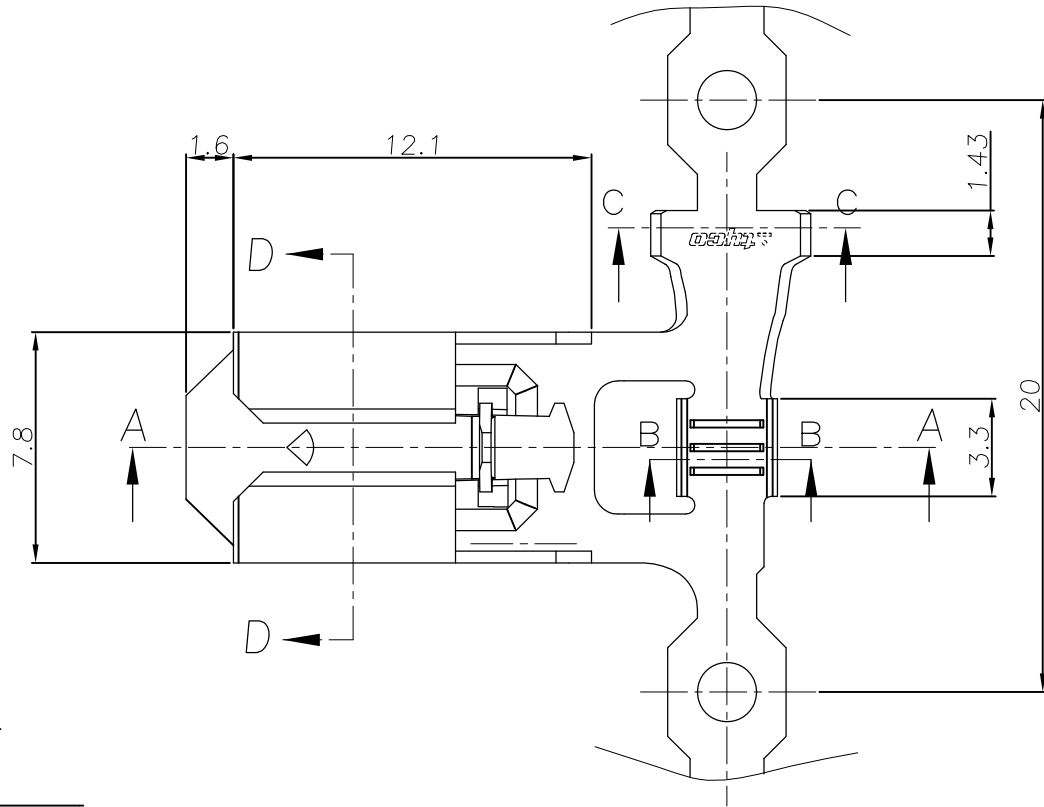


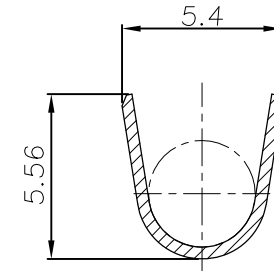
THIS DRAWING IS UNPUBLISHED. RELEASED FOR PUBLICATION

© COPYRIGHT BY TYCO ELECTRONICS CORPORATION. ALL RIGHTS RESERVED.

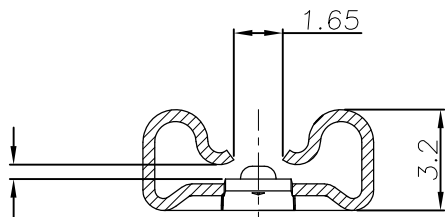
LOC	DIST	REVISIONS					
		P	LTR	DESCRIPTION	DATE	DWN	APVD
DS	-		0	RELEASED (FC00-0108-03)	05.AUG.'03	BH	CS
			01	REVISED (ECR-09-010611)	06.JUN.'09	BH	JK
			02	REVISED (ECR-09-021331)	22OCT.'09	BH	JK



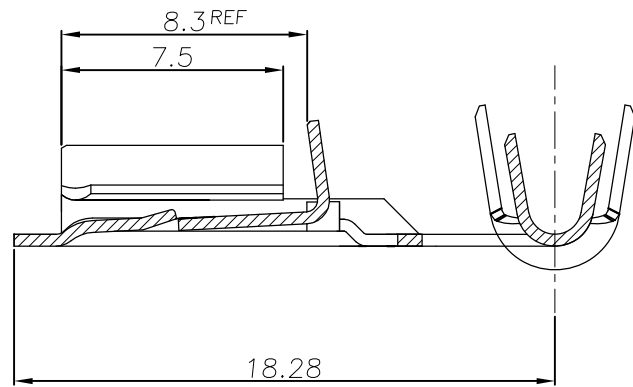
SECT "B-B"



SECT "C-C"



SECT "D-D"



SECT "A-A"

- * NOTES;
 1. APPLICABLE HOUSING P/N; 85091-1
 2. GENERAL TOLERANCES : ±0.25
 ② 3. APPLICABLE WIRE RANGE : AWG18~AWG14

PRE-TIN	BRASS 0.4 THK	936604-1
FINISH	MATERIAL	PART NUMBER

<small>THIS DRAWING IS A CONTROLLED DOCUMENT FOR TYCO ELECTRONICS CORPORATION IT IS SUBJECT TO CHANGE AND THE CONTROLLING ENGINEERING ORGANIZATION SHOULD BE CONTACTED FOR THE LATEST REVISION.</small>		DWN BH CHO CHK BW KANG APVD JK SONG PRODUCT SPEC - APPLICATION SPEC 114-61019 WEIGHT - CUSTOMER DRAWING		AMP KOREA. Kyungsan, Korea NAME 250 SERIES FLAG POSITIVE LOCK(MARK II) RECEP. SIZE A3 CAGE CODE 00779 DRAWING NO 936604 RESTRICTED TO - SCALE 4/1 SHEET 1 OF 1 REV 02	
DIMENSIONS: MM	TOLERANCES UNLESS OTHERWISE SPECIFIED:				
	0 PLC ± 1 PLC ± 2 PLC ± 3 PLC ± 4 PLC ± ANGLES ±				
MATERIAL -	FINISH -				

X-ON Electronics

Largest Supplier of Electrical and Electronic Components

Click to view similar products for [Terminals](#) category:

Click to view products by [TE Connectivity](#) manufacturer:

Other Similar products are found below :

[00-054007-01074-6](#) [00-054007-70206-1](#) [00-054007-70210-8](#) [00-054007-70217-7](#) [00-054007-70226-9](#) [00-054007-70228-3](#) [00-054007-70248-1](#) [00-054007-70256-6](#) [00-054007-70301-3](#) [00-054007-70316-7](#) [00-054007-49560-4](#) [00-054007-70209-2](#) [00-054007-70225-2](#) [00-054007-70227-6](#) [00-054007-70231-3](#) [00-054007-70241-2](#) [00-054007-70242-9](#) [00-054007-70244-3](#) [00-054007-70246-7](#) [00-054007-70263-4](#) [00-054007-70288-7](#) [00-054007-70290-0](#) [00-054007-70300-6](#) [00-054007-70304-4](#) [01-2065-1-0216](#) [01-2900-1-04412](#) [00581P0075](#) [600TS-10](#) [60205-1](#) [604200-1](#) [605601-1](#) [60598-1-CUT-TAPE](#) [61314-6-C](#) [61810-3](#) [61-S](#) [61-SN](#) [626-0194](#) [62-NBM-A](#) [62-SN](#) [62-SP](#) [63-S](#) [640179-1](#) [M55155/059I03](#) [M55155/079C01](#) [M55155/099H02](#) [M55155/109H01](#) [M55155/109H02](#) [M55155/12XH05](#) [M55155/16XH02](#) [M55155/29-5S](#)