

4

3

2

1

THIS DRAWING IS UNPUBLISHED.

RELEASED FOR PUBLICATION

© COPYRIGHT

BY TYCO ELECTRONICS CORPORATION. ALL RIGHTS RESERVED.

LOC

DIST

REVISIONS

DS

—

P

LTR

DESCRIPTION

DATE

DWN

APVD

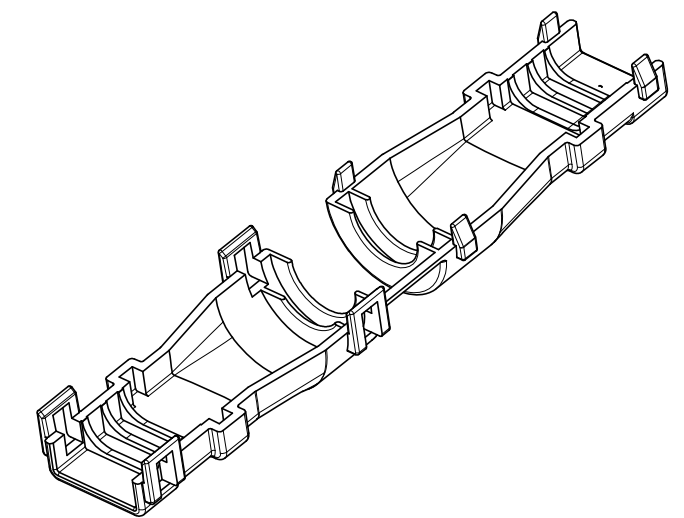
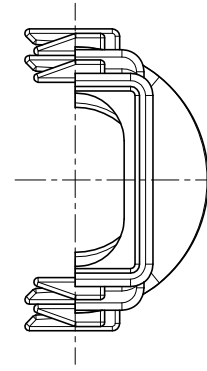
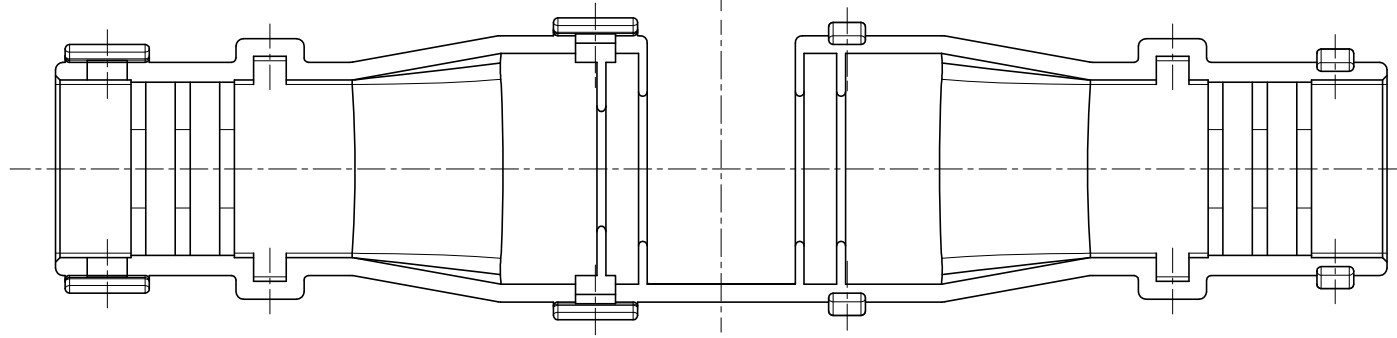
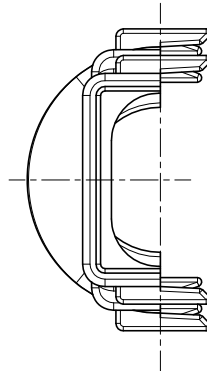
A

REVISED (ECR-10-026443)

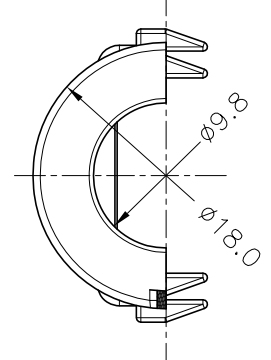
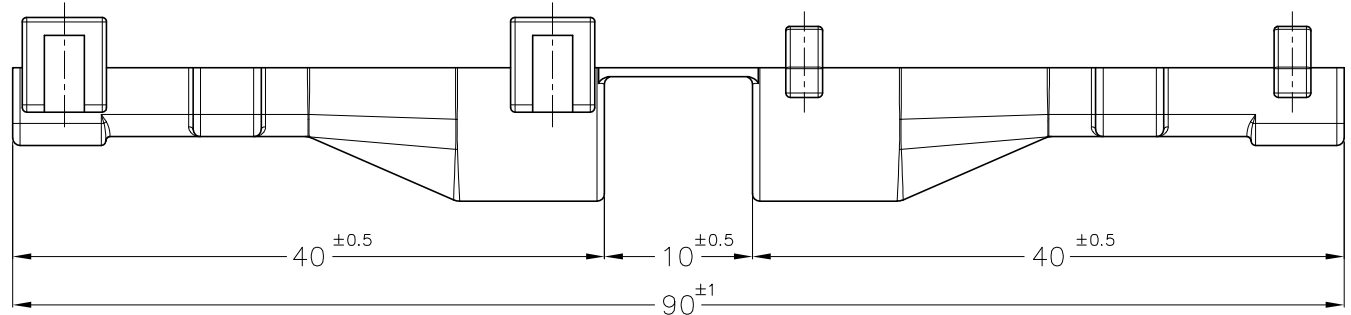
29.DEC.'10

SJ

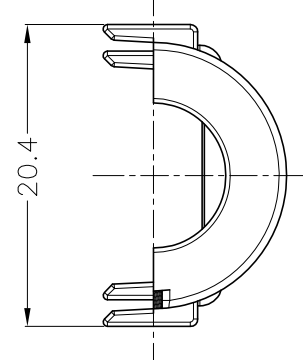
HG



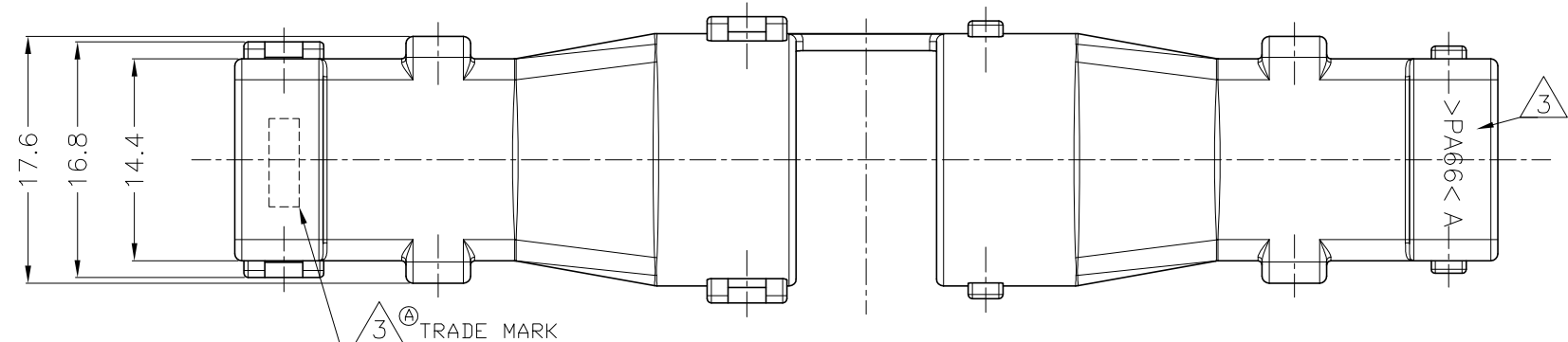
3D VIEW



SECTION A-A



SECTION B-B



TRADE MARK

NOTE

- 1. APPLICABLE CORRUGATOR DIAMETER : φ9.0
- 2. APPLICABLE JPT 2P ASS'Y P/NO : 368354 / 936567
- 3. TRADE MARK, RAW MAT'L, CAVITY NO MARKING AREA

THIS DRAWING IS A CONTROLLED DOCUMENT FOR TYCO ELECTRONICS CORPORATION IT IS SUBJECT TO CHANGE AND THE CONTROLLING ENGINEERING ORGANIZATION SHOULD BE CONTACTED FOR THE LATEST REVISION.

DIMENSIONS: mm



MATERIAL SEE TABLE

TOLERANCES UNLESS OTHERWISE SPECIFIED:
0 <XX<10 ± 0.2
10<XX<30 ± 0.25
30<XX ± 0.3
ANGLES ± 3°

COLOR SEE TABLE

DWN : SJ CHOI

CHK : JW JUNG

APVD : HG CHO

PRODUCT SPEC

APPLICATION SPEC

WEIGHT 2.8 g

CUSTOMER DRAWING

NYLON 66	936637-2	BLACK
MATERIAL	PART NUMBER	COLOR



NAME
COVER FOR JPT 2P (φ9)

SIZE	CAGE CODE	DRAWING NO	RESTRICTED TO
A3	00779	C-936637	

SCALE 2/1	SHEET 1 OF 1	REV A
-----------	--------------	-------

X-ON Electronics

Largest Supplier of Electrical and Electronic Components

Click to view similar products for [Automotive Connectors](#) category:

Click to view products by [TE Connectivity](#) manufacturer:

Other Similar products are found below :

[003-018-000](#) [60403001](#) [60993906-B](#) [M902-2131](#) [M902-2161](#) [72.330.1035.1](#) [73.353.4028.0](#) [F119300-B](#) [F166900](#) [F258300-B](#) [F358300-B](#)
[F407400](#) [F444110](#) [F487000](#) [F509500B-B](#) [827153-1](#) [8N1515-32-24P](#) [9-1326729-8](#) [925474-1](#) [928905-1](#) [964562-4](#) [968782-1](#) [GT17SA-8DS-](#)
[HU](#) [98891-1012](#) [98947-1016](#) [12004147](#) [12004475-L](#) [12010290](#) [12010309-B](#) [12015454](#) [12020219-B](#) [12020308](#) [12041318-B](#) [12052225-L](#)
[12052466](#) [12059125](#) [12064869](#) [12004327-B](#) [12010503-B](#) [12015308](#) [12015384](#) [12015909](#) [1-21030-1](#) [12041254](#) [12041318](#) [12047946-B](#)
[12047957](#) [12047957-L](#) [12059473](#) [12066261](#)