

4

3

2

1

THIS DRAWING IS UNPUBLISHED.

RELEASED FOR PUBLICATION

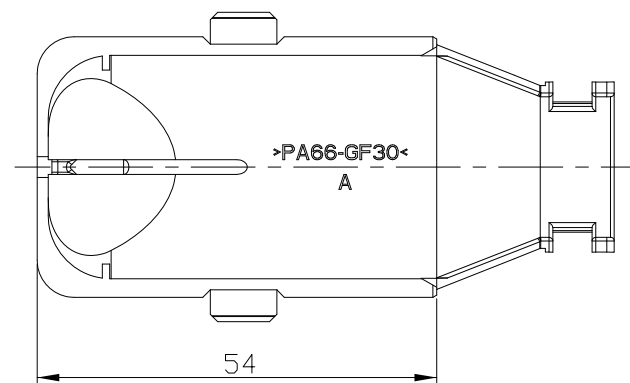
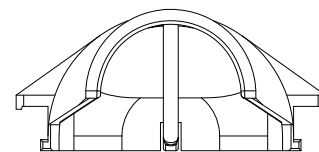
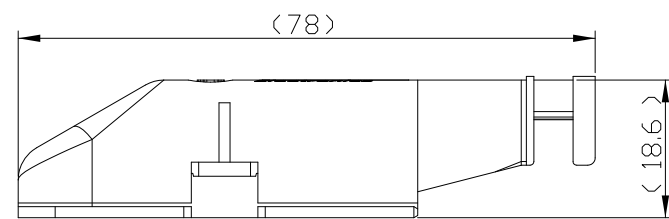
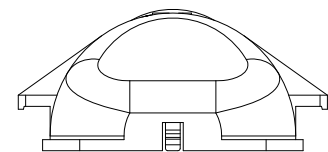
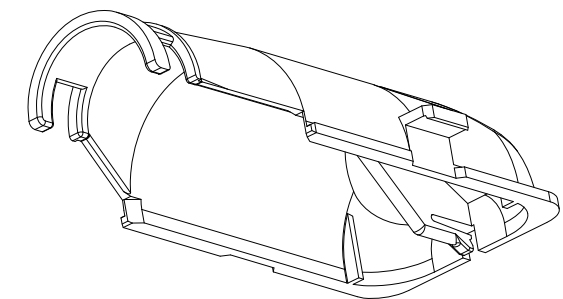
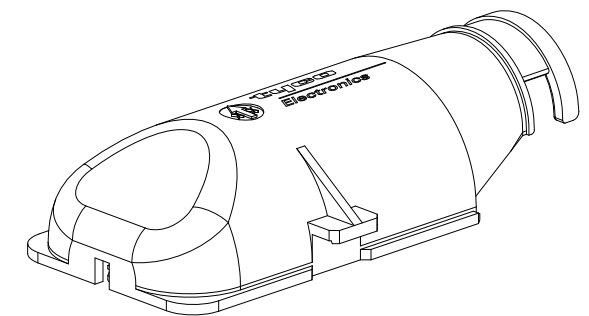
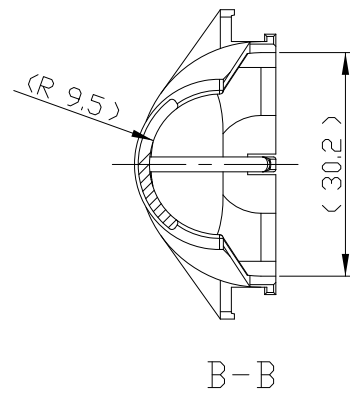
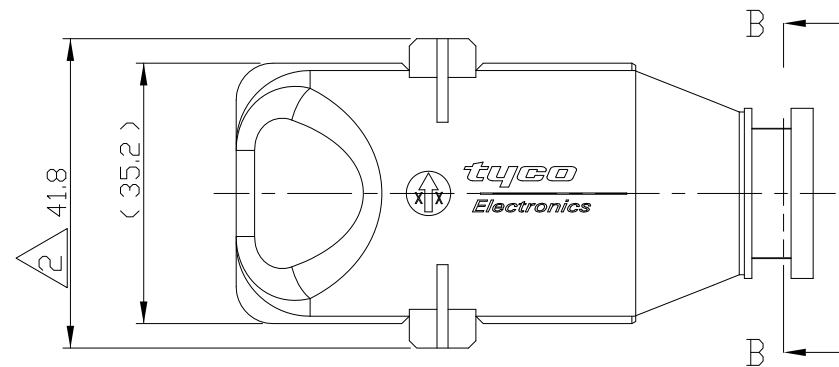
© COPYRIGHT

ALL RIGHTS RESERVED.

LOC DS

REVISIONS

P	LTR	DESCRIPTION	DATE	DWN	APVD
	A	REVISED (FC00-0302-04)	25.NOV.'04	YH	HG
	A1	REVISED (ECR-07-004625)	28.FEB.'07	YH	HG
	B	REVISED (ECR-14-013477)	10.SEP.'14	YH	HG



NOTE.
 1.APPLIED TO ASS'Y P/N:1897302, 1897357
 2.ALLOWED WARPAGE 2 MAX
 3.APPLICATION TEST SPEC:MS210-06-C(EXCEPT 4.4)

BLACK	PA66-GF15	936662-2
COLOR	MATERIAL	P/N

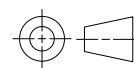
THIS DRAWING IS A CONTROLLED DOCUMENT.

DWN YH MA

CHK KT LIM

DIMENSIONS:
MM

TOLERANCES UNLESS
OTHERWISE SPECIFIED:



3rd ANGLE PROJECTION

MATERIAL
SEE NOTE

0 PLC ±
 1 PLC ±
 2 PLC ±
 3 PLC ±
 4 PLC ±
 ANGLES ±

FINISH

APVD HG CHD

PRODUCT SPEC

APPLICATION SPEC

WEIGHT

CUSTOMER DRAWING



TE Connectivity

NAME

COVER HSG FOR SHIELD 60P.

SIZE

CAGE CODE

DRAWING NO

RESTRICTED TO

A3

936662

SCALE 1:1

SHEET 1 OF 2

REV B

4

3

2

1

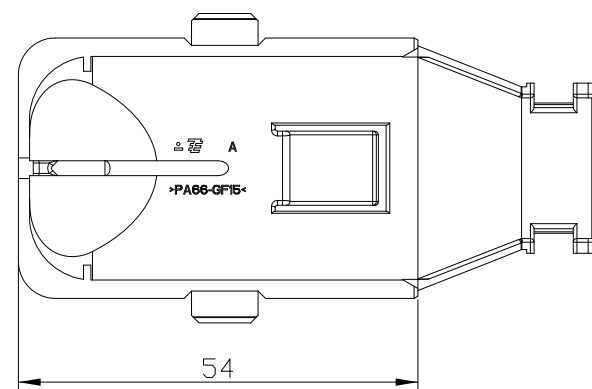
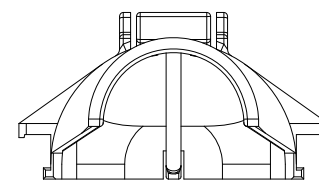
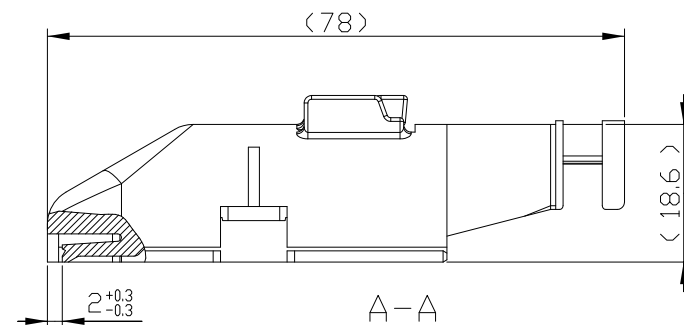
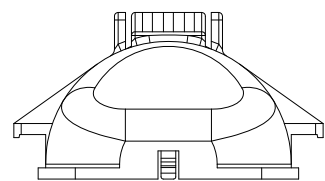
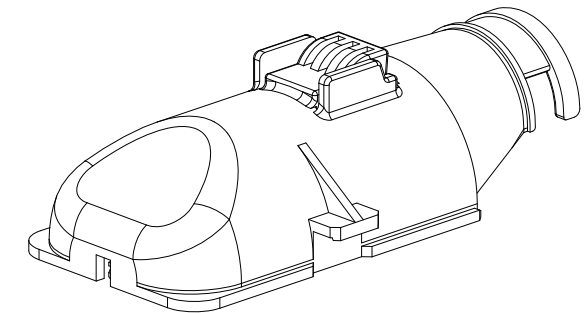
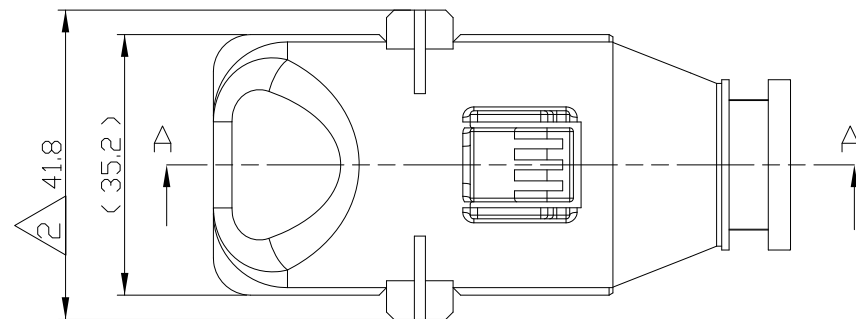
THIS DRAWING IS UNPUBLISHED.

RELEASED FOR PUBLICATION

© COPYRIGHT

ALL RIGHTS RESERVED.

LOC	DIST	REVISIONS					
DS		P	LTR	DESCRIPTION	DATE	DWN	APVD
				SEE SHEET 1			



NOTE
 1.GENERAL TOLERANCE: ±0.5, ±3°
 2.WARPAGE PERMITTED MAX. -3mm
 3.MATING CONN'R ASSY P/N:1897302, 1897357
 4. MATING LEVER HSG P/N : 1743543
 5.APPLICATION TEST SPEC:
 MS210-12[EXT-2](EXCEPT 4.4)

BLACK	PA66-GF15	1-936662-2
COLOR	MATERIAL	P/N

THIS DRAWING IS A CONTROLLED DOCUMENT.		DWN YH MA			
DIMENSIONS: MM		CHK KT LIM			
TOLERANCES UNLESS OTHERWISE SPECIFIED:		APVD HG CHD		NAME	
0 PLC ± 1 PLC ± 2 PLC ± 3 PLC ± 4 PLC ± ANGLES ±		PRODUCT SPEC		COVER HSG FOR SHIELD 60P.	
3rd ANGLE PROJECTION		APPLICATION SPEC		RESTRICTED TO	
MATERIAL SEE NOTE		WEIGHT		SIZE A3	CAGE CODE
FINISH		CUSTOMER DRAWING		DRAWING NO. 936662	SCALE 1:1
				SHEET 2 OF 2	REV B

X-ON Electronics

Largest Supplier of Electrical and Electronic Components

Click to view similar products for [Automotive Connectors](#) category:

Click to view products by [TE Connectivity](#) manufacturer:

Other Similar products are found below :

[003-018-000](#) [60403001](#) [60993906-B](#) [M902-2131](#) [M902-2161](#) [M902-2344](#) [72.330.1035.1](#) [73.353.4028.0](#) [F119300-B](#) [F166900](#) [F258300-B](#)
[F358300-B](#) [F407400](#) [F444110](#) [F487000](#) [F509500B-B](#) [827153-1](#) [8N1515-32-24P](#) [9-1326729-8](#) [925474-1](#) [928905-1](#) [964562-4](#) [968782-1](#)
[GT17SA-8DS-HU](#) [98891-1012](#) [98947-1016](#) [12004147](#) [12004475-L](#) [12010290](#) [12010309-B](#) [12015454](#) [12020219-B](#) [12041318-B](#) [12052225-](#)
[L](#) [12052466](#) [12064869](#) [12004327-B](#) [12015308](#) [12015384](#) [12015909](#) [1-21030-1](#) [12041254](#) [12041318](#) [12047946-B](#) [12047957](#) [12047957-L](#)
[12059473](#) [12066261](#) [12110546](#) [12110546-B](#)