

936663-1 ✓ ACTIVE

[Positive Lock](#) | [Positive Lock 187](#)

TE Internal #: 936663-1

Positive Lock 187, Quick Disconnects, Receptacle, 20 – 16AWG

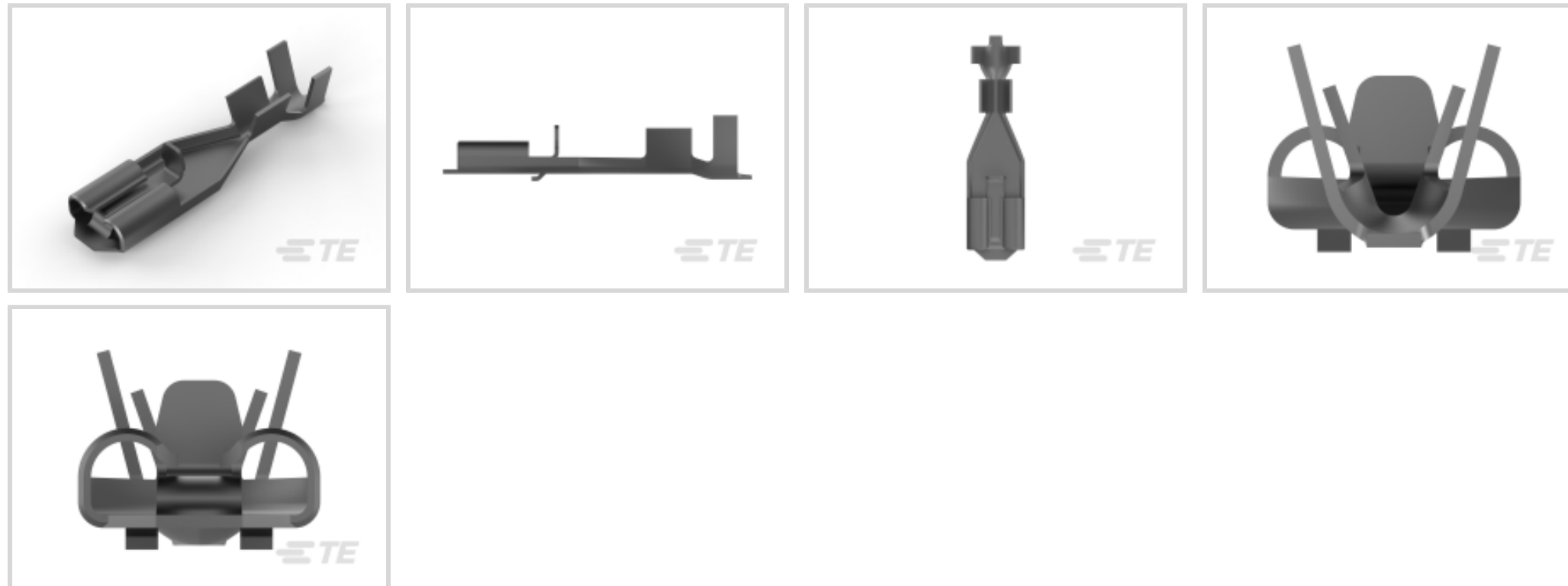
Wire Size, .51 – 1.31mm² Wire Size, Quick Disconnect Mating Tab

Width 4.75 mm [.187 in]

[View on TE.com >](#)



Terminals & Splices > Quick Disconnects



Terminal & Splice Type: **Receptacle**

Wire Size: **.51 – 1.31 mm²**

Quick Disconnect Mating Tab Width: **4.75 mm [.187 in]**

Quick Disconnect Mating Tab Thickness: **.81 mm [.032 in]**

Features

Product Type Features

Wire Stop	Yes
Wire/Cable Type	Regular Wire
Terminates To	Wire & Cable
Sealable	No
Insulated	No

Configuration Features

Connection Capacity	Single
---------------------	--------

Body Features

Fully Insulated	No
Quick Disconnect Plating Material	Tin

Contact Features

Terminal Type	Receptacle
Terminal & Splice Type	Receptacle
Quick Disconnect Terminal Orientation	Straight



Contact Base Material	Brass
-----------------------	-------

Crimp Type	F-Crimp
------------	---------

Barrel Type	Open
-------------	------

Mechanical Attachment

Wire Insulation Support	With
-------------------------	------

Dimensions

Accepts Wire Insulation Diameter Range	1.91 – 3.3 mm [.075 – .13 in]
--	-------------------------------

Overall Length	20.6 mm [.81 in]
----------------	------------------

Receptacle Terminal Stock Thickness	.3 mm [.012 in]
-------------------------------------	-----------------

Wire Size	.51 – 1.31 mm ²
-----------	----------------------------

Quick Disconnect Mating Tab Width	4.75 mm [.187 in]
-----------------------------------	-------------------

Quick Disconnect Mating Tab Thickness	.81 mm [.032 in]
---------------------------------------	------------------

Usage Conditions

Insulation Requirement	Uninsulated
------------------------	-------------

Operating Temperature Range	-40 – 110 °C [-40 – 230 °F]
-----------------------------	-----------------------------

Packaging Features

Packaging Quantity	6000
--------------------	------

Quick Disconnect Packaging Method	Strip/Reel
-----------------------------------	------------

Other

Line	FASTON .187
------	-------------

Product Compliance

[For compliance documentation, visit the product page on TE.com>](#)

EU RoHS Directive 2011/65/EU	Compliant
------------------------------	-----------

EU ELV Directive 2000/53/EC	Compliant
-----------------------------	-----------

China RoHS 2 Directive MIIT Order No 32, 2016	No Restricted Materials Above Threshold
---	---

EU REACH Regulation (EC) No. 1907/2006	Current ECHA Candidate List: JAN 2021 (211) Candidate List Declared Against: JAN 2021 (211) Does not contain REACH SVHC
--	---

Halogen Content	Low Halogen - Br, Cl, F, I < 900 ppm per homogenous material. Also BFR/CFR/PVC Free
-----------------	---

Solder Process Capability

Not applicable for solder process capability

Product Compliance Disclaimer

This information is provided based on reasonable inquiry of our suppliers and represents our current actual knowledge based on the information they provided. This information is subject to change. The part numbers that TE has identified as EU RoHS compliant have a maximum concentration of 0.1% by weight in homogenous materials for lead, hexavalent chromium, mercury, PBB, PBDE, DBP, BBP, DEHP, DIBP, and 0.01% for cadmium, or qualify for an exemption to these limits as defined in the Annexes of Directive 2011/65/EU (RoHS2). Finished electrical and electronic equipment products will be CE marked as required by Directive 2011/65/EU. Components may not be CE marked. Additionally, the part numbers that TE has identified as EU ELV compliant have a maximum concentration of 0.1% by weight in homogenous materials for lead, hexavalent chromium, and mercury, and 0.01% for cadmium, or qualify for an exemption to these limits as defined in the Annexes of Directive 2000/53/EC (ELV). Regarding the REACH Regulation, the information TE provides on SVHC in articles for this part number is based on the latest European Chemicals Agency (ECHA) 'Guidance on requirements for substances in articles' posted at this URL: <https://echa.europa.eu/guidance-documents/guidance-on-reach>

Compatible Parts



TE Part # 1217096-2
PL 187 RECEPTACLE 18-14 AWG TPBR



TE Part # 63498-1
PL 187 TERMINAL REC 20-16 AWG TPBR



TE Part # 170325-5
187 PL MKII REC. 20-16AWG PTBR



TE Part # 170325-1
187 PL MKII REC. 20-16AWG PTBR



TE Part # 63196-2
PL 187 RECEPTACLE 24-20 AWG PTPBR



TE Part # 63313-1
PL 187 RECEPTACLE 20-16 AWG TPBR



TE Part # 1217097-2
PL 187 TERMINAL REC 22-18 AWG TPBR



TE Part # 1217580-1
PL 187 TERMINAL REC 20-16 AWG TPBR

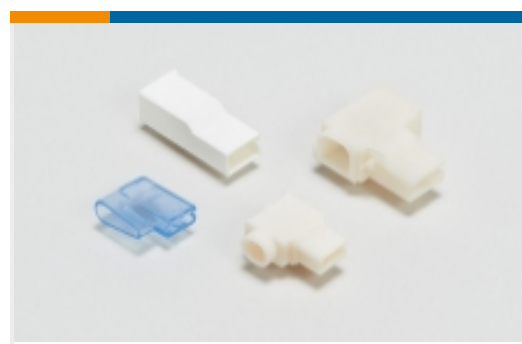


TE Part # 63520-1
PL 187 TERMINAL REC 20-16 AWG TPBR



TE Part # 1217096-1
REC 187 POS LOC 18-14 014 BR

Also in the Series | **Positive Lock 187**



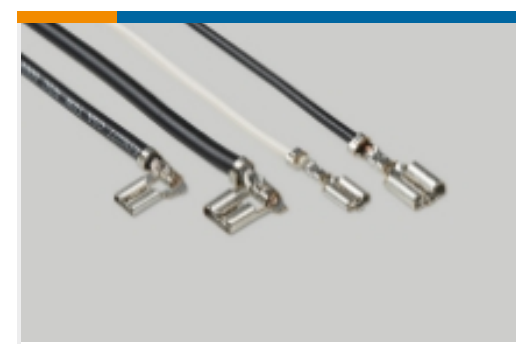
Crimp Terminal Housings(87)



Insertion & Extraction Tools(2)

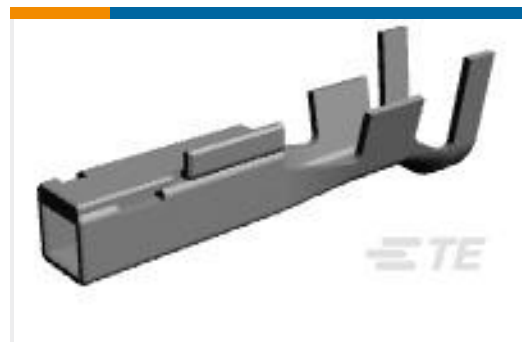
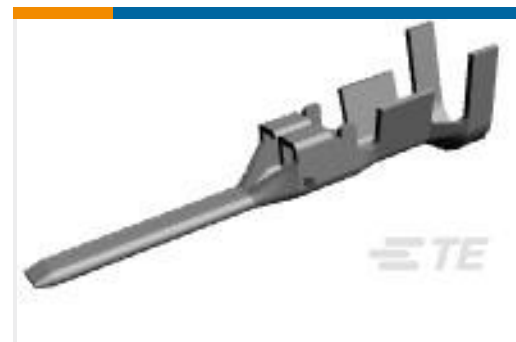
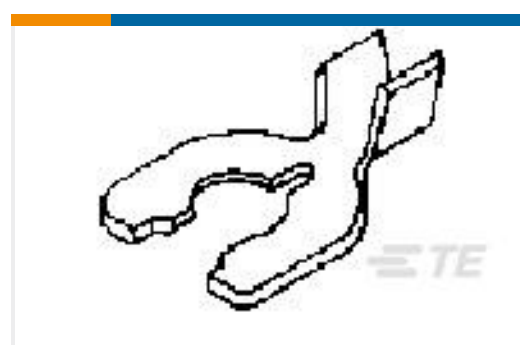


Insulation Boots & Sleeves(9)



Quick Disconnects(56)

Customers Also Bought

TE Part #1565079-1
GRACE INERTIA 3.5 REC CONTACT(L)TE Part #1565086-1
GRACE INERTIA CONNECTOR 3.5 3PTE Part #1565080-1
GRACE INERTIA 3.5 TAB CONTACT(L)TE Part #1-1565085-1
GIC 3.5W 2P CAP(GWT) NATTE Part #1-176497-7
PL EX SLEEVE 250 FLAG RED 6/6
NYLONTE Part #63610-2
SPRING SPADE TERMINAL 14-10
AWG TPBR

Documents

Product Drawings

[PL 187 REC 20-16 AWG 0.3 X 14.0 PTPBR](#)

CAD Files

[3D PDF](#)

[3D](#)

[Customer View Model](#)

[ENG_CVM_CVM_936663-1_E.2d_dxf.zip](#)

English

[Customer View Model](#)

[ENG_CVM_CVM_936663-1_E.3d_igs.zip](#)

English

[Customer View Model](#)

[ENG_CVM_CVM_936663-1_E.3d_stp.zip](#)

English

By downloading the CAD file I accept and agree to the [Terms and Conditions](#) of use.



Product Specifications

Application Specification

English

Product Environmental Compliance

TE Material Declaration

English

Agency Approvals

UL Report

English

X-ON Electronics

Largest Supplier of Electrical and Electronic Components

Click to view similar products for [Terminals](#) category:

Click to view products by [TE Connectivity](#) manufacturer:

Other Similar products are found below :

[00-054007-01074-6](#) [00-054007-70206-1](#) [00-054007-70210-8](#) [00-054007-70217-7](#) [00-054007-70226-9](#) [00-054007-70228-3](#) [00-054007-70248-1](#) [00-054007-70256-6](#) [00-054007-70301-3](#) [00-054007-70316-7](#) [00-054007-49560-4](#) [00-054007-70209-2](#) [00-054007-70225-2](#) [00-054007-70227-6](#) [00-054007-70231-3](#) [00-054007-70241-2](#) [00-054007-70242-9](#) [00-054007-70244-3](#) [00-054007-70246-7](#) [00-054007-70263-4](#) [00-054007-70288-7](#) [00-054007-70290-0](#) [00-054007-70300-6](#) [00-054007-70304-4](#) [01-2065-1-0216](#) [01-2900-1-04412](#) [00581P0075](#) [600TS-10](#) [60205-1](#) [604200-1](#) [605601-1](#) [60598-1-CUT-TAPE](#) [61314-6-C](#) [61810-3](#) [61-S](#) [61-SN](#) [626-0194](#) [62-NBM-A](#) [62-SN](#) [62-SP](#) [63-S](#) [640179-1](#) [M55155/059I03](#) [M55155/079C01](#) [M55155/099H02](#) [M55155/109H01](#) [M55155/109H02](#) [M55155/12XH05](#) [M55155/16XH02](#) [M55155/29-5S](#)