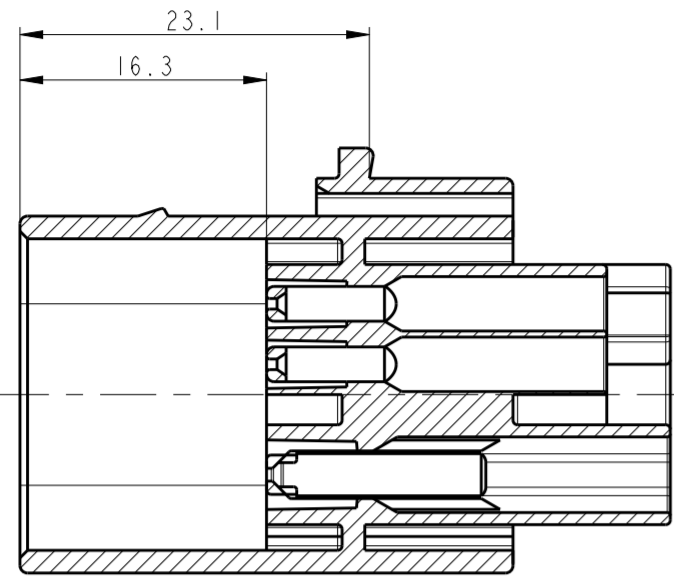
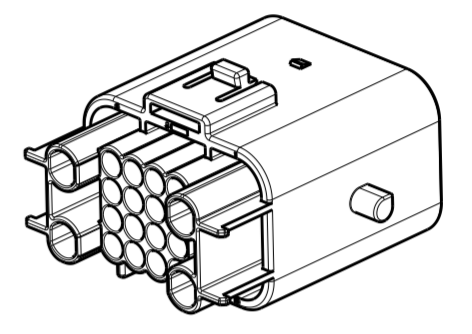
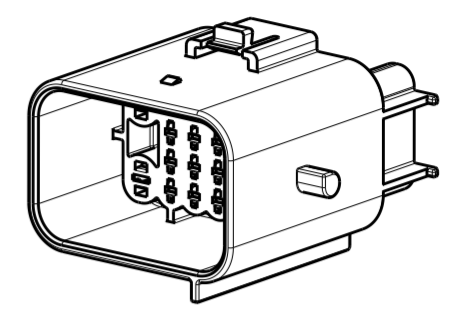
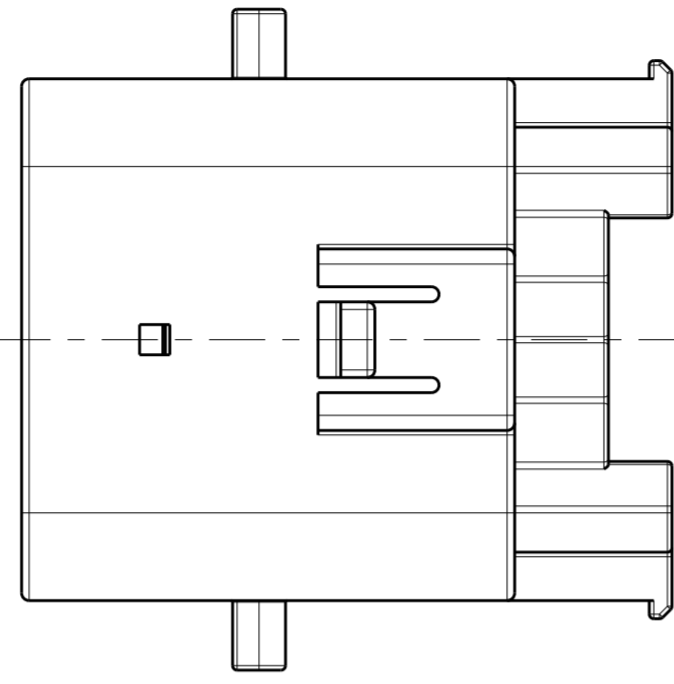


THIS DRAWING IS UNPUBLISHED. RELEASED FOR PUBLICATION 20  
 © COPYRIGHT 20 BY - TE Connectivity ALL RIGHTS RESERVED.

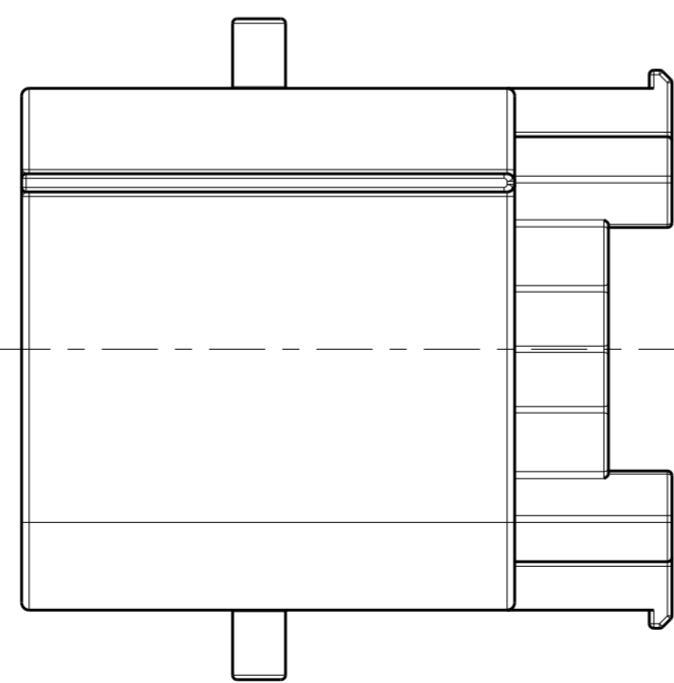
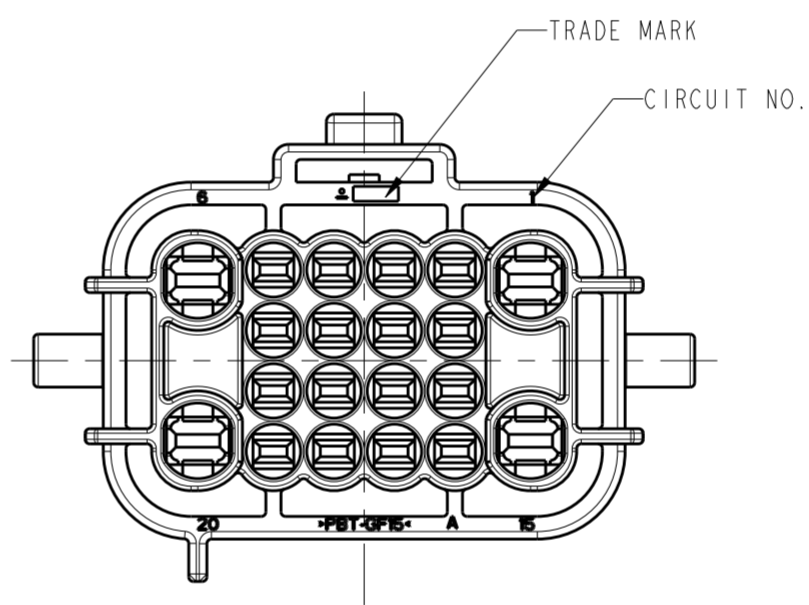
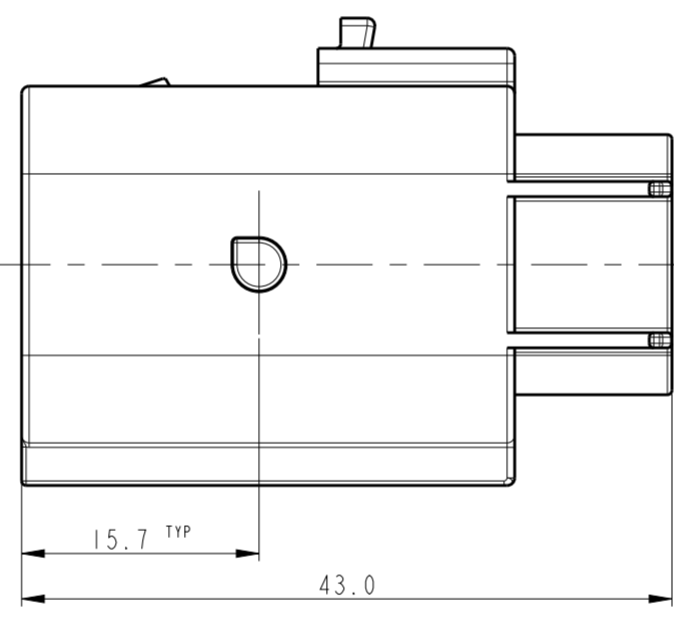
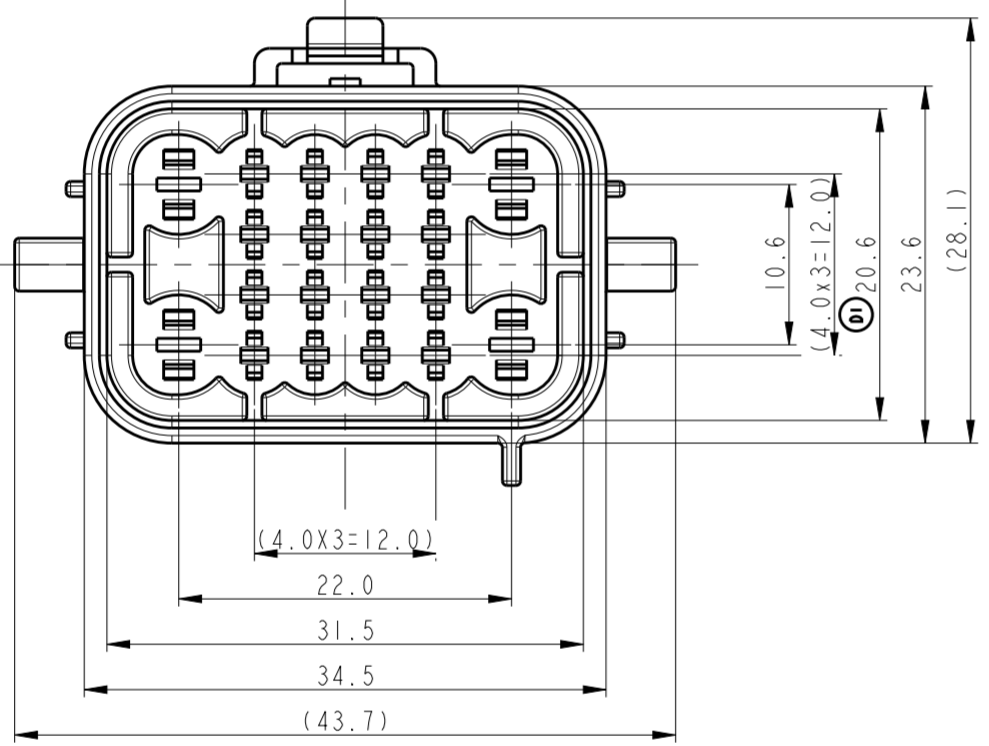
REVISIONS				
P	LTR	DESCRIPTION	DATE	APVD
B		REVISED (ECR-07-027758)	05DEC2007	KT JK
C		REVISED (ECR-10-020545)	30DEC2010	SJ HG
D		REVISED (ECR-12-008736)	11MAY2012	SJ HG
DI		REVISED (ECR-16-017155)	05DEC2016	SJ JW



SECTION A-A



3D-VIEW SCALE 1/1



<TABLE 1>

TYPE	P/N	WIRE SIZE (mm <sup>2</sup> )	FINISH
MT11	0-963902-1	0.25~0.5	CuSn4
	0-963902-3		CuSn4(GOLD)
	0-963904-1	0.5~1.0	CuSn4
	0-963904-3		CuSn4(GOLD)
JPT	1-962915-1	0.5~0.85	CuSn4
	1-962915-3		CuSn4(GOLD)
	1-962916-1	1.25~2.0	CuSn4
	1-962916-3		CuSn4(GOLD)

- NOTE.
- GENERAL TOLERANCE : ±0.3, ±3°
  - DELIVERY CONDITION
  - APPLIED PLUG ASS'Y P/N : 936777  
APPLIED WIRE COVER P/N : 936783
  - APPLICABLE CONTACT P/N : TABLE 1

CAP HSG	PBT-GF15	BLACK	0-936780-2
DESCRIPTION	MATERIAL	COLOR	P/N

THIS DRAWING IS A CONTROLLED DOCUMENT.		DWN S.J. CHOI	TE Connectivity															
DIMENSIONS: mm		CHK S.J. CHOI																
TOLERANCES UNLESS OTHERWISE SPECIFIED		APVD J.W. JUNG	NAME CAP HSG FOR MT11 JPT HYBRID SEALED 20P CONN'R															
<table border="1"> <tr><td>0 PLC</td><td>±</td></tr> <tr><td>1 PLC</td><td>±</td></tr> <tr><td>2 PLC</td><td>±</td></tr> <tr><td>3 PLC</td><td>±</td></tr> <tr><td>4 PLC</td><td>±</td></tr> <tr><td>ANGLES</td><td>±</td></tr> <tr><td>FINISH</td><td>±</td></tr> </table>		0 PLC	±	1 PLC	±	2 PLC	±	3 PLC	±	4 PLC	±	ANGLES	±	FINISH	±	PRODUCT SPEC -	SIZE A2	
0 PLC	±																	
1 PLC	±																	
2 PLC	±																	
3 PLC	±																	
4 PLC	±																	
ANGLES	±																	
FINISH	±																	
MATERIAL SEE TABLE		APPLICATION SPEC -	CAGE CODE 00779	DRAWING NO. G-936780														
		WEIGHT -	RESTRICTED TO															
		CUSTOMER DRAWING	SCALE 2:1	SHEET 1 OF 1														

## X-ON Electronics

Largest Supplier of Electrical and Electronic Components

*Click to view similar products for [Automotive Connectors](#) category:*

*Click to view products by [TE Connectivity](#) manufacturer:*

Other Similar products are found below :

[003-018-000](#) [60993906-B](#) [72.330.1035.1](#) [F358300-B](#) [F407400](#) [776880-1](#) [827153-1](#) [8N1515-32-24P](#) [9-1326729-8](#) [925474-1](#) [928905-1](#)  
[964562-4](#) [968782-1](#) [98891-1012](#) [12004475-L](#) [12041318-B](#) [12052466](#) [12015909](#) [1-21030-1](#) [12041318](#) [12047957](#) [12185550](#) [12336-12](#)  
[12147304](#) [1-326211-1](#) [13681974](#) [13783086](#) [13832576](#) [13542772](#) [13675513](#) [1428188-1](#) [1437287-3](#) [1428188-2](#) [DS07-19S-5020](#) [1456983-5](#)  
[1456987-7](#) [APD-7CP-H](#) [APK-SB25A10L](#) [1452931-2](#) [15336198](#) [15491972](#) [15305306](#) [15396680](#) [15425613](#) [15518544](#) [15522351](#) [1719636-1](#)  
[172190-2](#) [172190-5](#) [192900-0402](#)