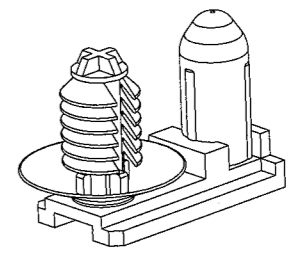
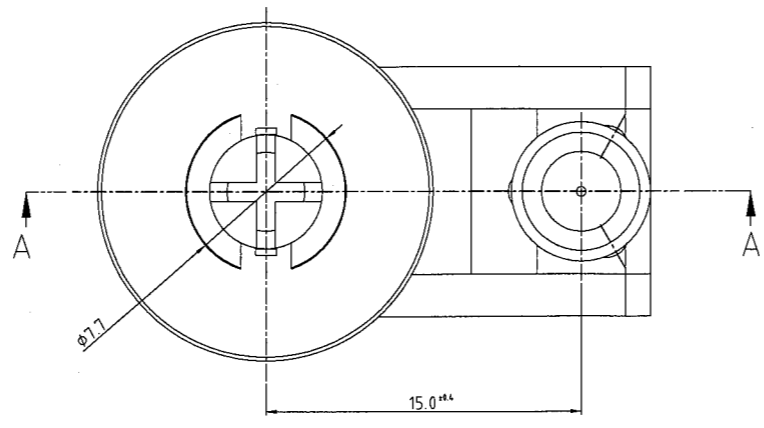
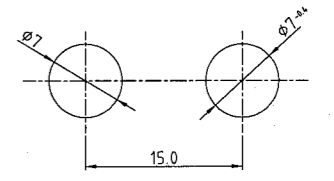
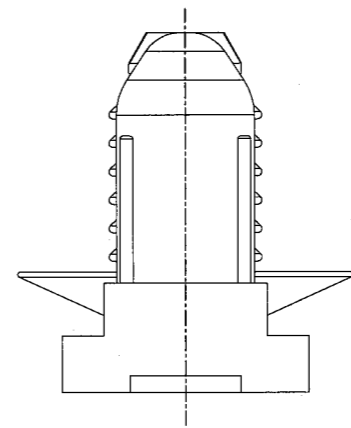
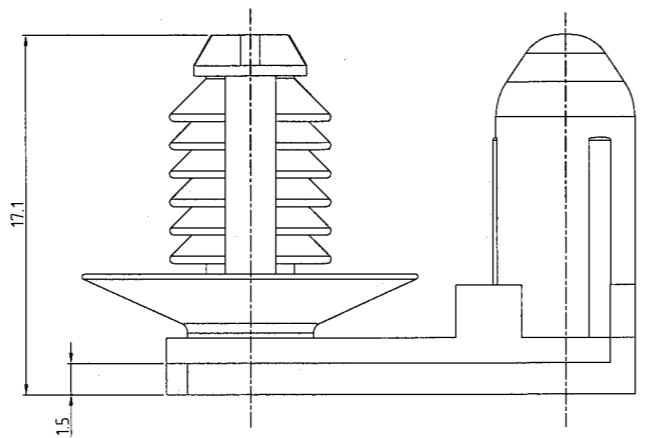
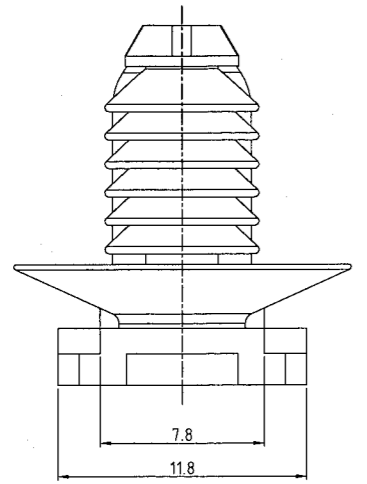


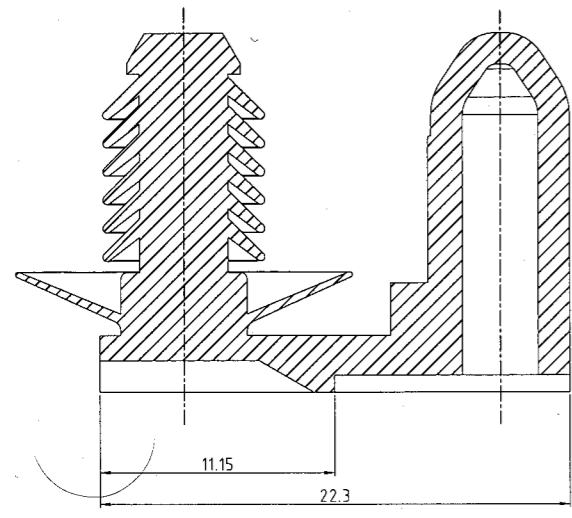
LOC	DIST	REVISIONS					
DS		P	LTR	DESCRIPTION	DATE	DWN	APVD
		0		RELEASED	31/JAN/05	YD.	CS



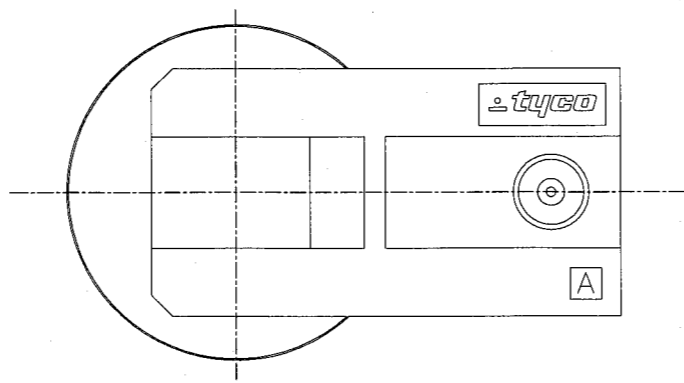
3D-VIEW
SCALE 2/1



PANEL HOLE SIZE
SCALE 2/1



SECTION A-A



- NOTES:
1. APPLY PANEL THICKNESS : 0.5 - 4.0mm
 2. APPLY CONNECTOR SERIES : 090 MLC

control priority dimension;		1	CLIP HSG	0-936784-2	PA66	BLACK
<input checked="" type="checkbox"/> CRITICAL, <input checked="" type="checkbox"/> MAJOR, <input type="checkbox"/> MINOR <small>THIS DRAWING IS A CONTROLLED DOCUMENT FOR TYCO ELECTRONICS CORPORATION. IT IS SUBJECT TO CHANGE AND THE CONTROLLING ENGINEERING ORGANIZATION SHOULD BE CONTACTED FOR THE LATEST REVISION.</small>		NO.	DESCRIPTION	P/N	MATERIAL	COLOR
DIMENSIONS: MM TOLERANCES UNLESS OTHERWISE SPECIFIED: DECIMALS: ± 0.3 ANGLES: ± 3°		DWN	YD LEE	tyco Electronics AMP KOREA. kyungsan, korea		
<input type="checkbox"/> 3rd ANGLE PROJECTION		CHK	BH JANG			
MATERIAL		APVD	CS LEE			
SEE TABLE		PRODUCT SPEC				
		APPLICATION SPEC		NAME	CLIP HSG FOR HYBRID SEALED 20P/36P PLUG ASS'Y	
		WEIGHT		SIZE	CAGE CODE	DRAWING NO.
				A2	00779	C= 936784
				SCALE	4/1	SHEET 1 OF 1
						REV 0

X-ON Electronics

Largest Supplier of Electrical and Electronic Components

Click to view similar products for [Automotive Connectors](#) category:

Click to view products by [TE Connectivity](#) manufacturer:

Other Similar products are found below :

[003-018-000](#) [600858](#) [60403001](#) [60993906-B](#) [60993913-B](#) [629515004020001](#) [M902-2131](#) [M902-2161](#) [M902-2344](#) [72.330.1035.1](#)
[73.353.4028.0](#) [F118010](#) [F119300-B](#) [F132210](#) [F132210-B](#) [F166900](#) [F180100](#) [F258300](#) [F258300-B](#) [F294300-B](#) [F339100](#) [F339700](#) [F358300-](#)
[B](#) [F374110](#) [F407400](#) [F412210](#) [F427600](#) [F444110](#) [F487000](#) [F495100-B](#) [F500900-B](#) [F509500B-B](#) [770444-1](#) [776880-1](#) [827153-1](#) [881735-1](#)
[8N1515-32-24P](#) [9-1326727-8](#) [9-1326729-8](#) [925467-1](#) [925474-1](#) [928905-1](#) [936398-2](#) [964562-1](#) [964562-4](#) [964731-2](#) [965051-1](#) [968782-1](#)
[GT17SA-8DS-HU](#) [GT17VS-10DP-5.2CF](#)