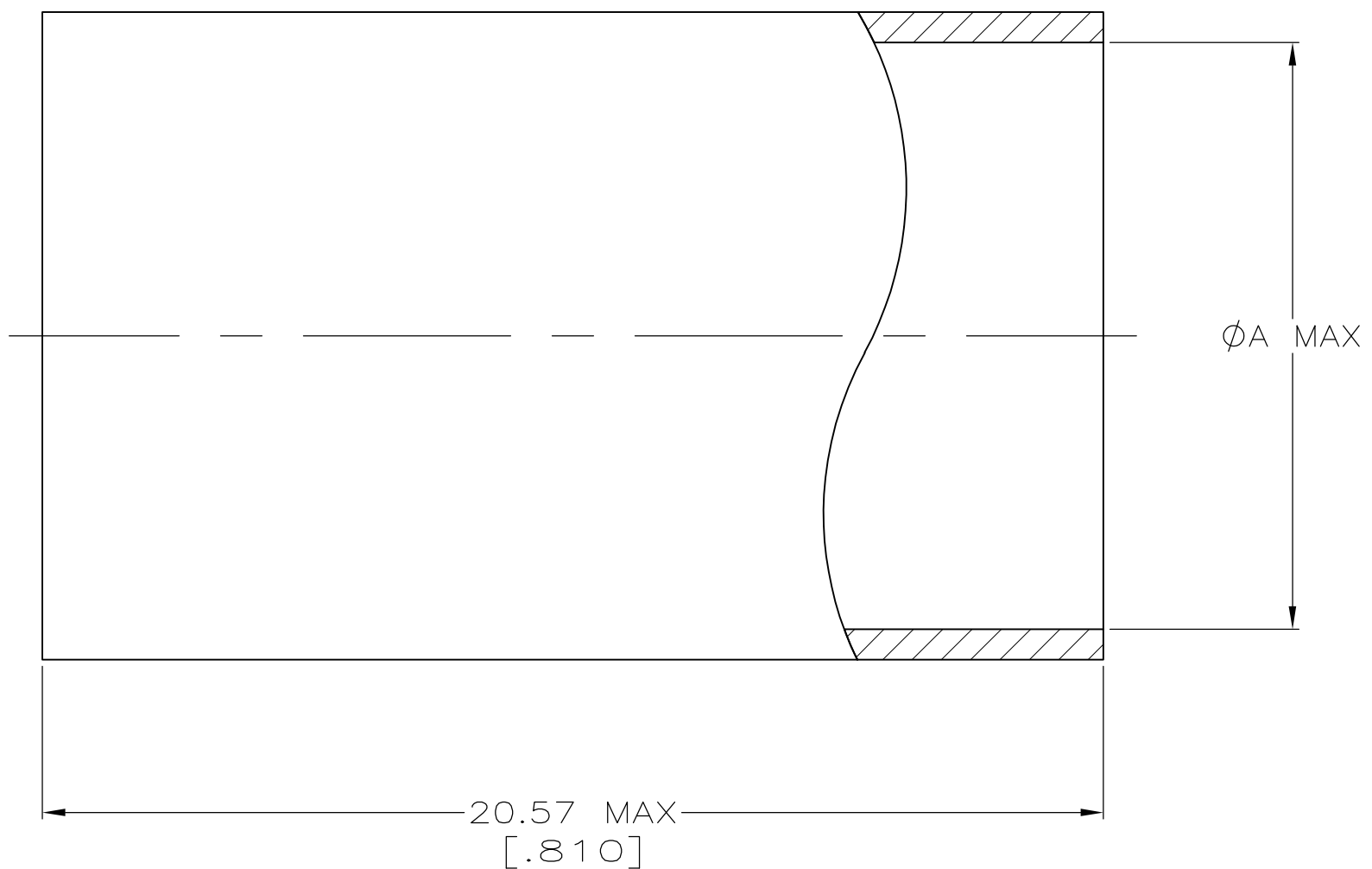


THIS DRAWING IS UNPUBLISHED. RELEASED FOR PUBLICATION
 © COPYRIGHT BY TYCO ELECTRONICS CORPORATION. ALL RIGHTS RESERVED.

LOC	DIST	REVISIONS					
AJ	16	P	LTR	DESCRIPTION	DATE	DWN	APVD
			AC	REVISED PER ECO-10-008441	17JUN10	HMR	KW



- 1. COPPER ALLOY
- ② NICKEL PLATE PER QQ-N-290, 2.54µm (.0000100) MIN THICKNESS.
- ③ SILVER PLATE PER QQ-S-365, 5.08µm (.0000200) MIN THICKNESS.
- ④ TIN-LEAD PLATE PER ASTM-B-545, 2.54µm (.000100) MIN THICKNESS, WITH SUPPLEMENTAL ANTI FRETTING LUBRICANT.
- ⑤ MATTE TIN PLATE PER ASTM-B-545, 2.54µm (.000100) MIN THICKNESS, WITH SUPPLEMENTAL ANTI FRETTING LUBRICANT.

	⑤	8.51 [.334]	9-51713-3
	⑤	8.99 [.354]	9-51713-1
	⑤	11.28 [.444]	9-51713-0
	④	11.28 [.444]	1-51713-3
	④	8.51 [.334]	1-51713-2
	④	8.99 [.354]	1-51713-1
OBSOLETE	②	8.89 [.350]	1-51713-0
	④	11.28 [.444]	51713-9
	④	8.89 [.350]	51713-8
OBSOLETE	④	8.51 [.334]	51713-6
	③	8.99 [.354]	51713-4
	③	11.28 [.444]	51713-2
	FINISH	A	PART NUMBER

THIS DRAWING IS A CONTROLLED DOCUMENT.		DWN 10NOV95 MICHAEL E. COWHER	Tyco Electronics Corporation Harrisburg, Pa 17105-3608													
DIMENSIONS: mm [INCHES]		CHK 10NOV95 FRANK MORANA	NAME													
TOLERANCES UNLESS OTHERWISE SPECIFIED:		APVD 10NOV95 FRANK MORANA	FERRULE													
<table border="0"> <tr><td>0 PLC</td><td>± -</td></tr> <tr><td>1 PLC</td><td>± -</td></tr> <tr><td>2 PLC</td><td>± -</td></tr> <tr><td>3 PLC</td><td>± -</td></tr> <tr><td>4 PLC</td><td>± -</td></tr> <tr><td>ANGLES</td><td>± -</td></tr> </table>		0 PLC	± -	1 PLC	± -	2 PLC	± -	3 PLC	± -	4 PLC	± -	ANGLES	± -	PRODUCT SPEC	SIZE	CAGE CODE
0 PLC	± -															
1 PLC	± -															
2 PLC	± -															
3 PLC	± -															
4 PLC	± -															
ANGLES	± -															
MATERIAL SEE NOTES		APPLICATION SPEC	—	00779												
FINISH SEE TABLE		WEIGHT	—	51713												
		CUSTOMER DRAWING	SCALE 8:1	SHEET 1 OF 1												
			RESTRICTED TO	REV AC												

X-ON Electronics

Largest Supplier of Electrical and Electronic Components

Click to view similar products for te connectivity manufacturer:

Other Similar products are found below :

[570416-000](#) [CLTEQ-M81CE-SSRELAY-4-20V](#) [4-1633138-8](#) [D38999/24FJ4AN](#) [4-1195131-0](#) [650069-000](#) [SMD100-2](#) [2EDL4CM](#)
[DTS20W19-11PD-3028](#) [DTS20W19-11PD-3028-LC](#) [DTS20W19-32SD-3028-LC](#) [DTS20W19-32SD-3028](#) [NC6-P104-06](#) [TXR64AB90-](#)
[3616AI](#) [DTS26F21-41HE](#) [DTS26F21-41AE](#) [DTS26F21-41PE-LC](#) [DTS26F21-11SE-3028-LC](#) [D38999/24WF32JE](#) [D38999/24WF32SE-LC](#)
[DTS24W19-32HE](#) [D38999/20JB35HA](#) [D38999/24WJ20PA](#) [164-8033-08](#) [D38999/24FF32JE](#) [D38999/24FF32SE-LC](#) [D38999/24WF32JB](#)
[D38999/24WG11HA](#) [D38999/24WG11HN](#) [MS27467T21F11H](#) [DJT16E21-11HA](#) [DTS24F19-32HE](#) [1-532955-3](#) [DTS20W19-32SA-3028-LC](#)
[DTS24F19-11SC-3028-LC](#) [DTS24F19-11SC-3028](#) [DJT14E13-98HB](#) [D38999/20WC8BB](#) [1-330599-5](#) [DTS24F21-41HN-LC](#) [DTS24F21-](#)
[41HN](#) [DTS24F21-41AN](#) [DTS24F21-39HN](#) [DTS24F21-41PN-LC](#) [AFD50-10-6SN-1A-LC](#) [DJT10F17-26HC](#) [DTS24W19-32HB](#)
[ACT20JE99HA](#) [DJT10E17-26HC](#) [DJT10E17-26HN](#)