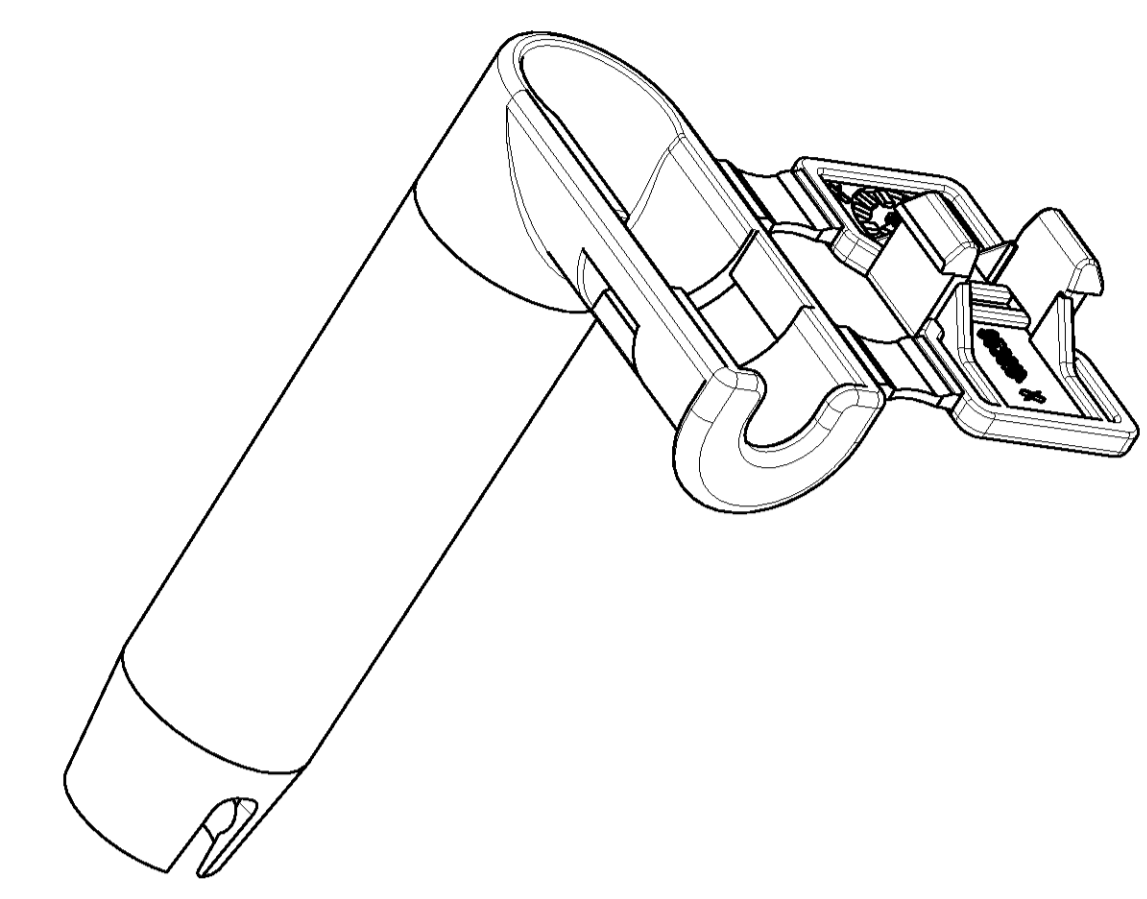
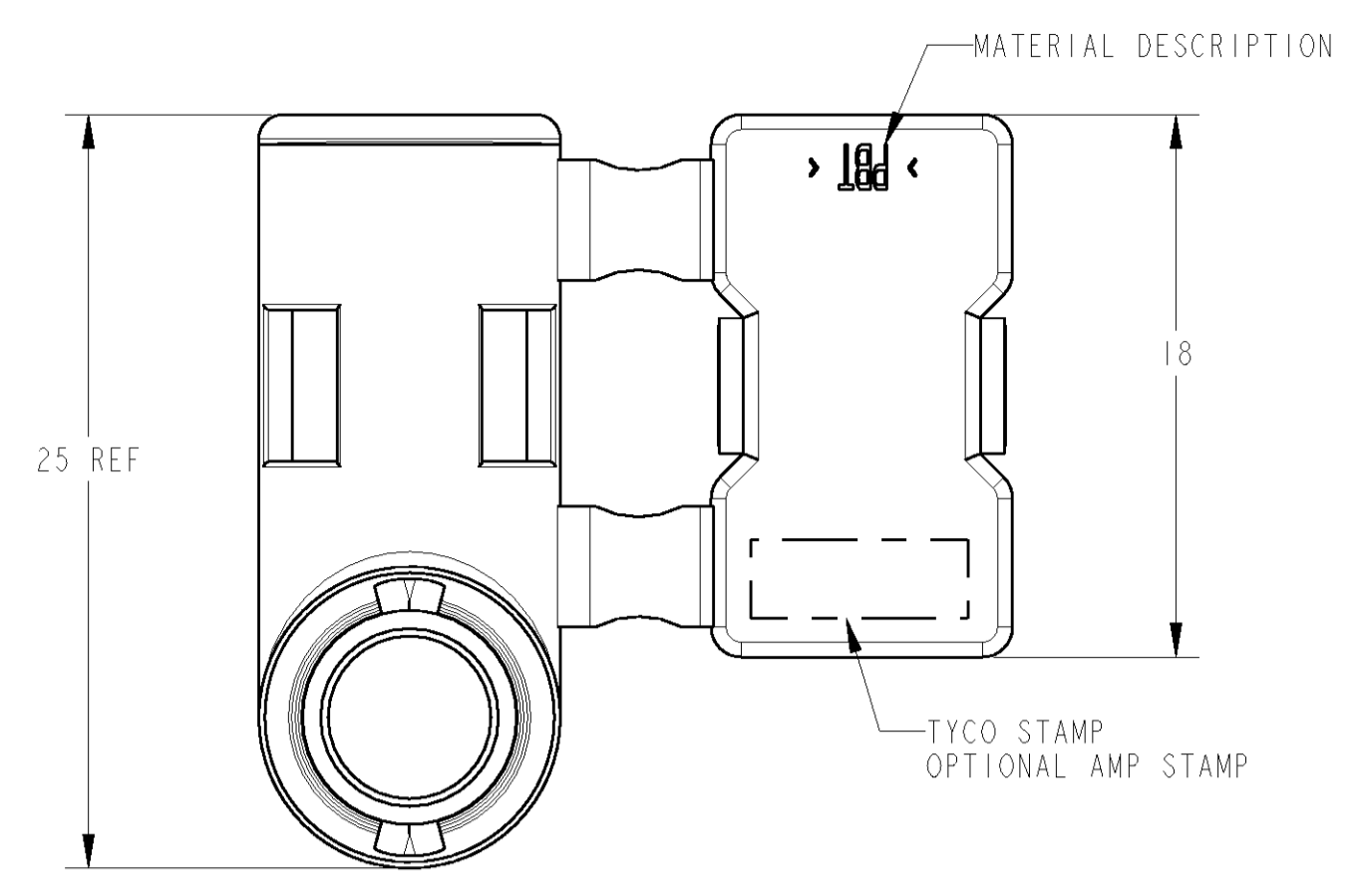
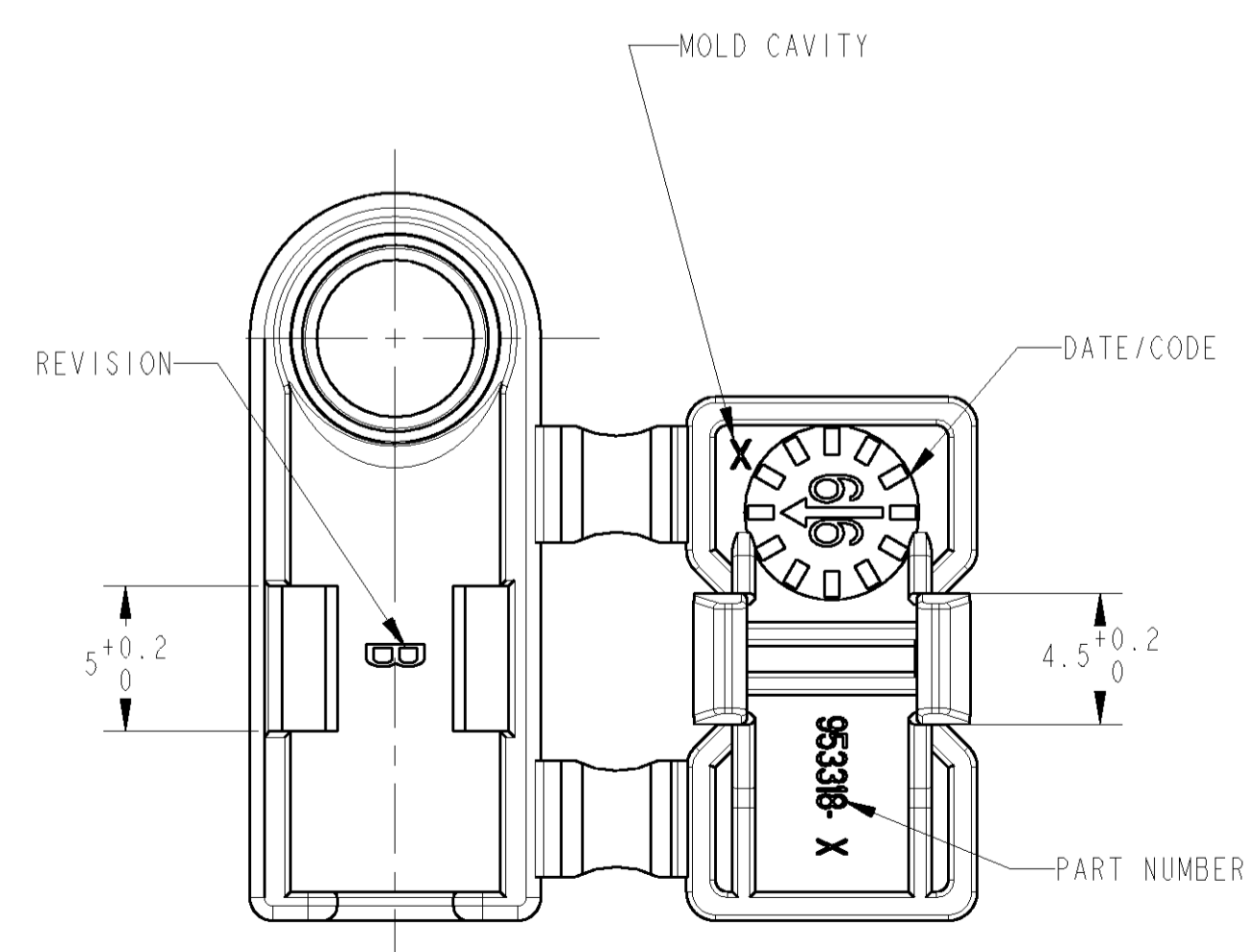
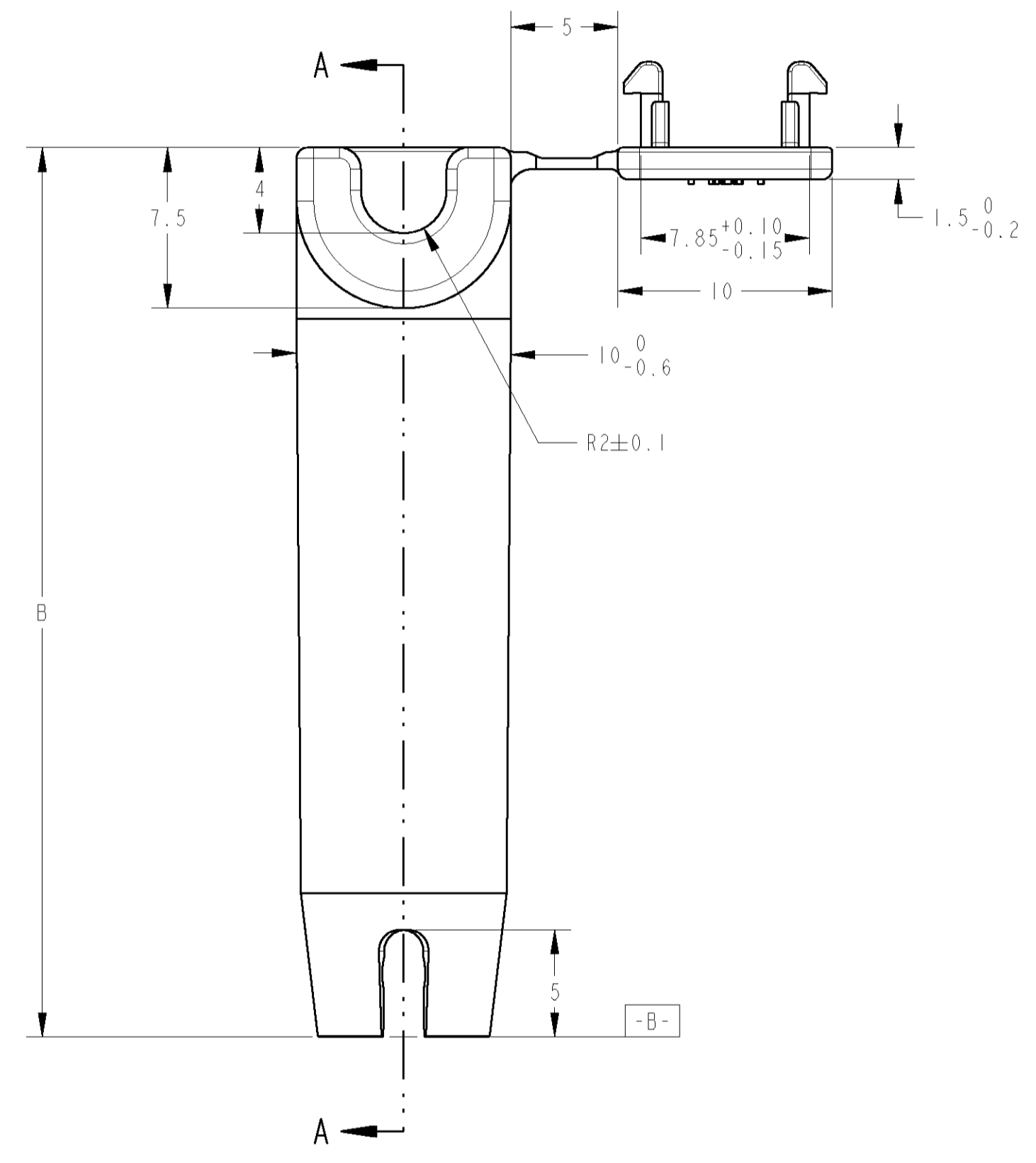
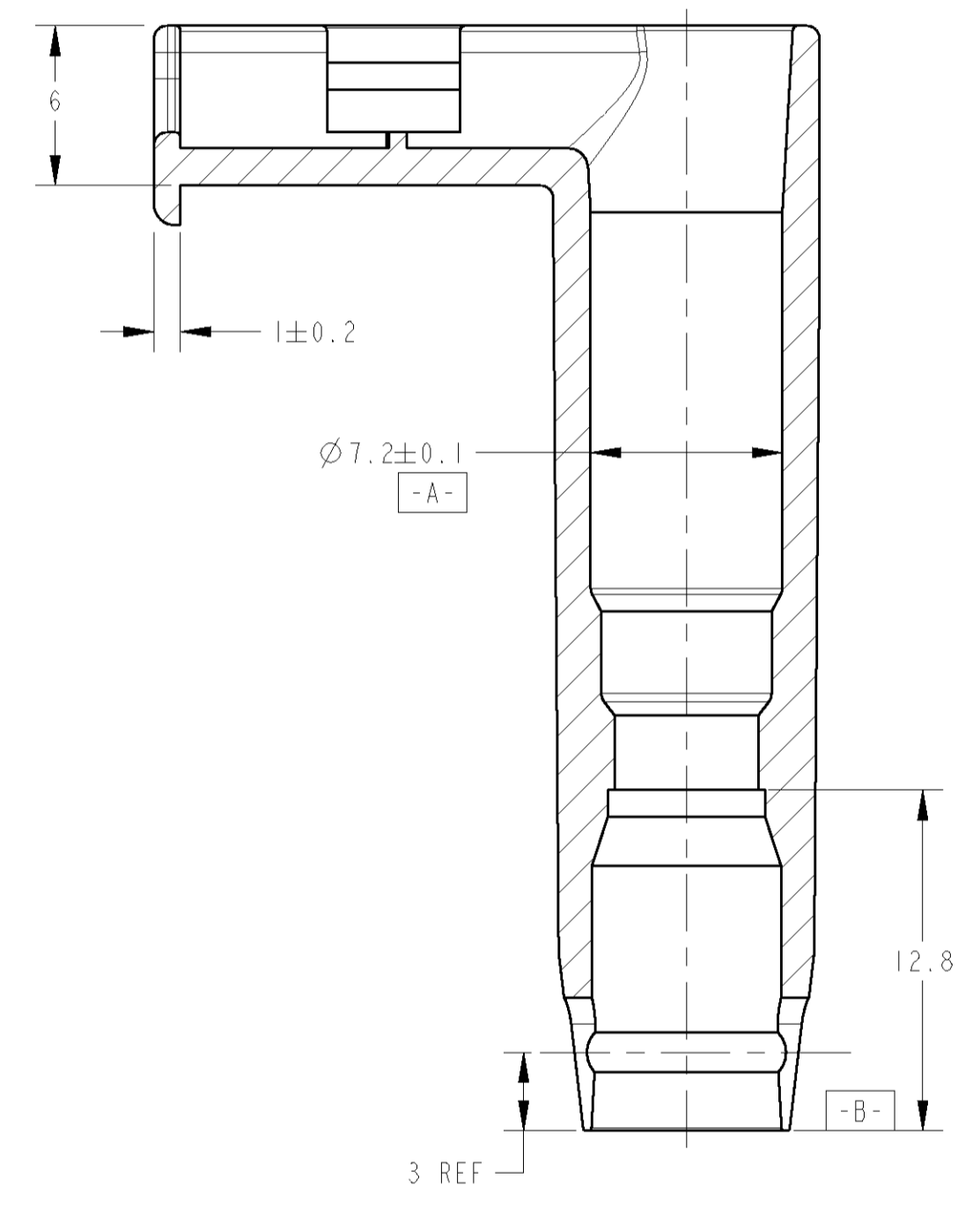


LOC	DIST	REVISIONS						
F	7	P	LTB	REV	DESCRIPTION	DATE	DWN	APP
		A			CAVITY MOVING	30OCT2001	SR	JJR
		B			HINGE MODIFICATION	24JUN2005	AR	JPP
		C			DIMENSION MODIFICATION C4, NOTE TYCO STAMP	12SEP2005	RC	OD



SACLE 3:1

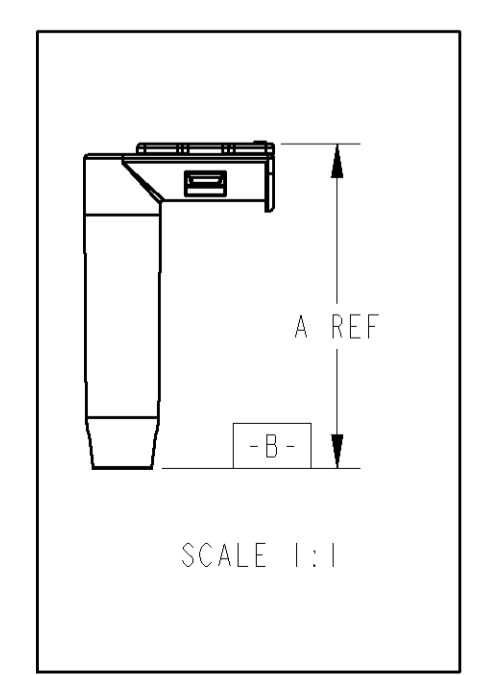
COUPE A-A



EXTRACTION TOOL	
DESCRIPTION	PART NUMBER
EXTRACTION TOOL	965700-1
SPARE BLADE	965701-1

ASSOCIATED COMPONENTS							
PART NUMBER	DESCRIPTION						
963244-1	SEAL (for insulation Ø 2.2 - 3mm)						
963245-1	SEAL (for insulation Ø 3.1 - 3.7mm)						
962956-1	SOCKET CONTACT Ø 4mm						

PART NUMBER	PART REVISION CODE	COLOUR	MATERIAL	DESCRIPTION	WEIGHT	DIM A	DIM B
953318-2	D	BLACK	PBT	HOUSING	0.003 Kg	61	59.5±0.15
953318-1	D	BLACK	PBT	HOUSING	0.0025 Kg	43	41.5±0.1



DIMENSIONS: mm TOLERANCES: UNLESS OTHERWISE SPECIFIED: mm DIMENSIONS: mm TOLERANCES: UNLESS OTHERWISE SPECIFIED: mm DIMENSIONS: mm TOLERANCES: UNLESS OTHERWISE SPECIFIED: mm		DWN/DESIGNE: S. RONOT CHK/VERIFIE: J.P. PICAUD APVD/APPROUVE: J. BEVIL		OSFEB99 OSFEB99 OSFEB99		AMP DE FRANCE 95301 PONTOISE	
MATERIAL MATIERE: PBT FINISH: SEE TABLE		WEIGHT: SEE TABLE CUSTOMER DRAWING /PLAN CLIENT		NAME: J.P. PICAUD PRODUCT SPEC: 108-15194 SPEC: APPLICATION 411-15605		I WAY GLOW PLUG CONNECTOR SIZE: A1 CAGE CODE: 00779 DRAWING NO: 953318 UNIDUMENT: FOUR REFERENCE SCALE: ECHELLE 4:1 SHEET: FEUILLE 1 OF 1 REV: C	

X-ON Electronics

Largest Supplier of Electrical and Electronic Components

Click to view similar products for [Automotive Connectors](#) category:

Click to view products by [TE Connectivity](#) manufacturer:

Other Similar products are found below :

[003-018-000](#) [600858](#) [60403001](#) [60993906-B](#) [60993913-B](#) [629515004020001](#) [M902-2131](#) [M902-2161](#) [M902-2344](#) [72.330.1035.1](#)
[73.353.4028.0](#) [F118010](#) [F119300-B](#) [F132210](#) [F132210-B](#) [F166900](#) [F180100](#) [F258300](#) [F258300-B](#) [F294300-B](#) [F339100](#) [F339700](#) [F358300-](#)
[B](#) [F374110](#) [F407400](#) [F412210](#) [F427600](#) [F444110](#) [F487000](#) [F495100-B](#) [F500900-B](#) [F509500B-B](#) [770444-1](#) [776880-1](#) [827153-1](#) [881735-1](#)
[8N1515-32-24P](#) [9-1326727-8](#) [9-1326729-8](#) [925467-1](#) [925474-1](#) [928905-1](#) [936398-2](#) [964562-1](#) [964562-4](#) [964731-2](#) [965051-1](#) [968782-1](#)
[GT17SA-8DS-HU](#) [GT17VS-10DP-5.2CF](#)