

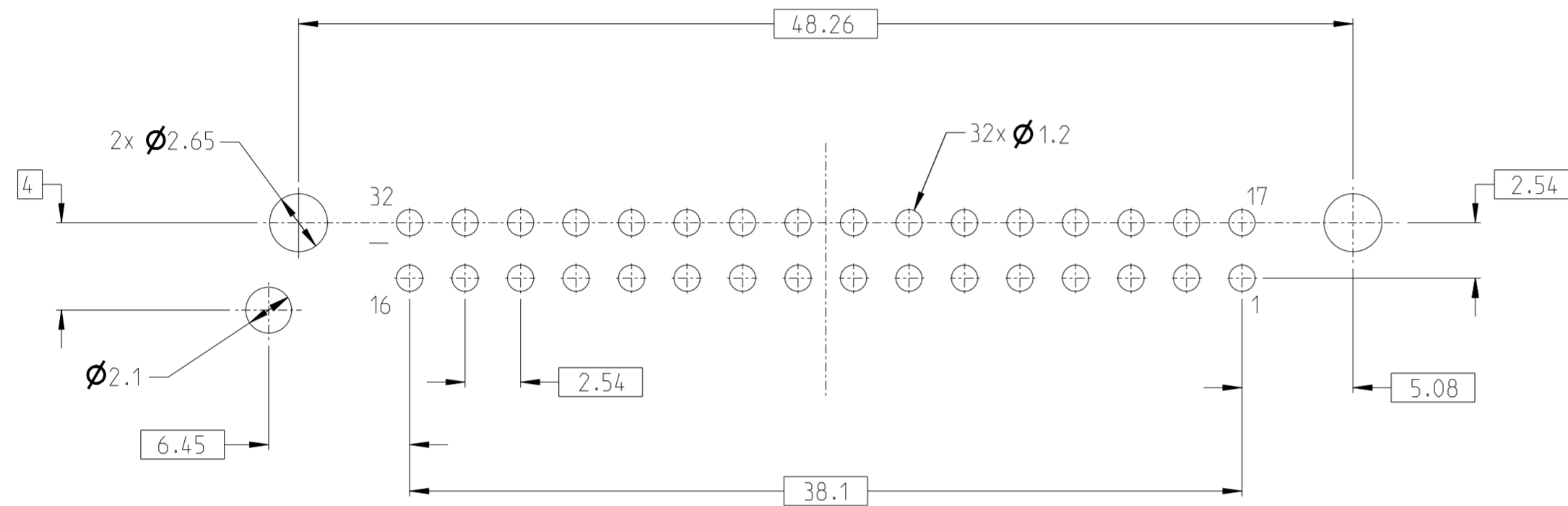
P	LTR	DESCRIPTION	DATE	DWN	APVD
-	-	SEE SHEET 1	-	-	-

RECOMMANDATION IMPLANTATION CI

RECOMMENDED PCB LAYOUT

VUE DE DESSUS / VIEW FROM HEADER MOUNTING SIDE

EPAISSEUR CI / PCB THICKNESS : 1.6 ±0.15



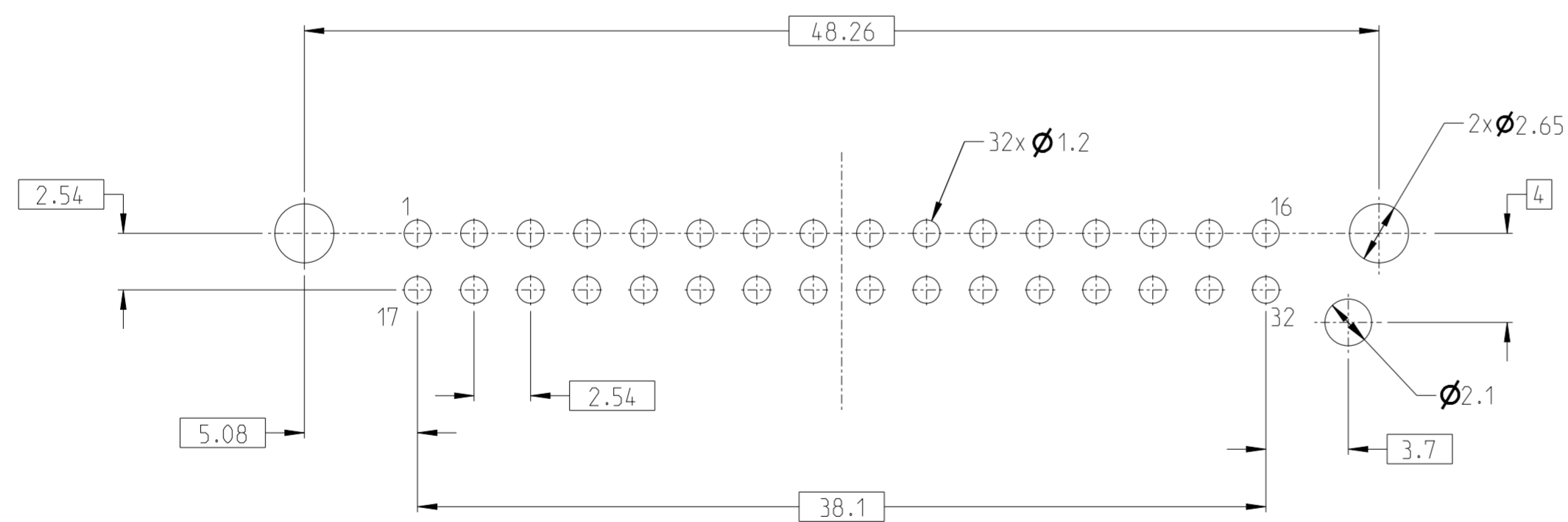
COULEUR: GRIS / COLOUR: GREY

953486-1

2-953486-1

COULEUR: BLEU / COLOUR: BLUE


953486-4



COULEUR: BLEU / COLOUR: BLUE

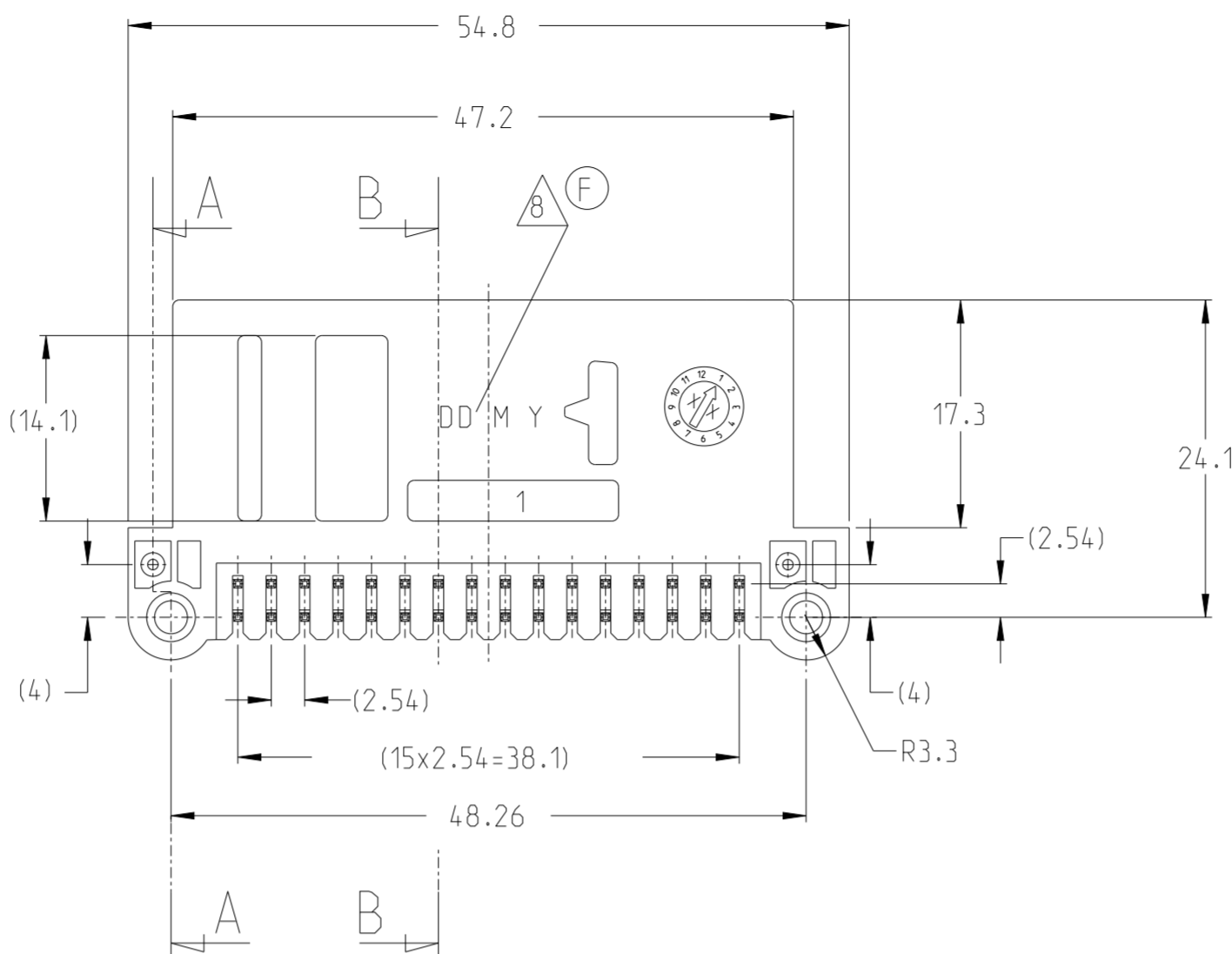
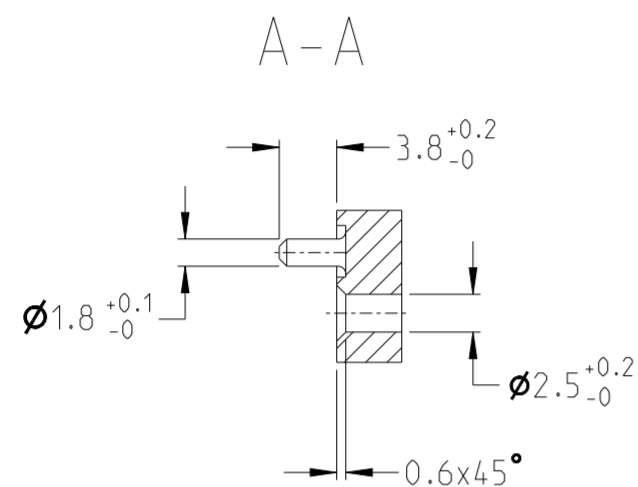
953486-2

2-953486-2

THIS DRAWING IS A CONTROLLED DOCUMENT.		DWN J.LAQUERBE 01JUL98	 TE Connectivity		
DIMENSIONS: mm		CHK J.LAQUERBE 18JUN99			
TOLERANCES UNLESS OTHERWISE SPECIFIED:		APVD J.J.REVI 18JUN99	NAME EMBASE 32V MQS COUDEE AVEC OREILLES 32W MQS RIGHT ANGLE HEADER WITH EARS		
0-PEC ± 1-PEC ±0.3 2-PEC ± 3-PEC ± 4-PEC ± ANGLES ±5° FINISH -		PRODUCT SPEC 108-15211	SIZE A2	CAGE CODE 00779	DRAWING NO C-953486
MATERIAL -		APPLICATION SPEC -	WEIGHT 10.7 g	RESTRICTED TO -	SCALE 2:1
CUSTOMER DRAWING			SHEET 2 OF 7	REV K	

NOTES:

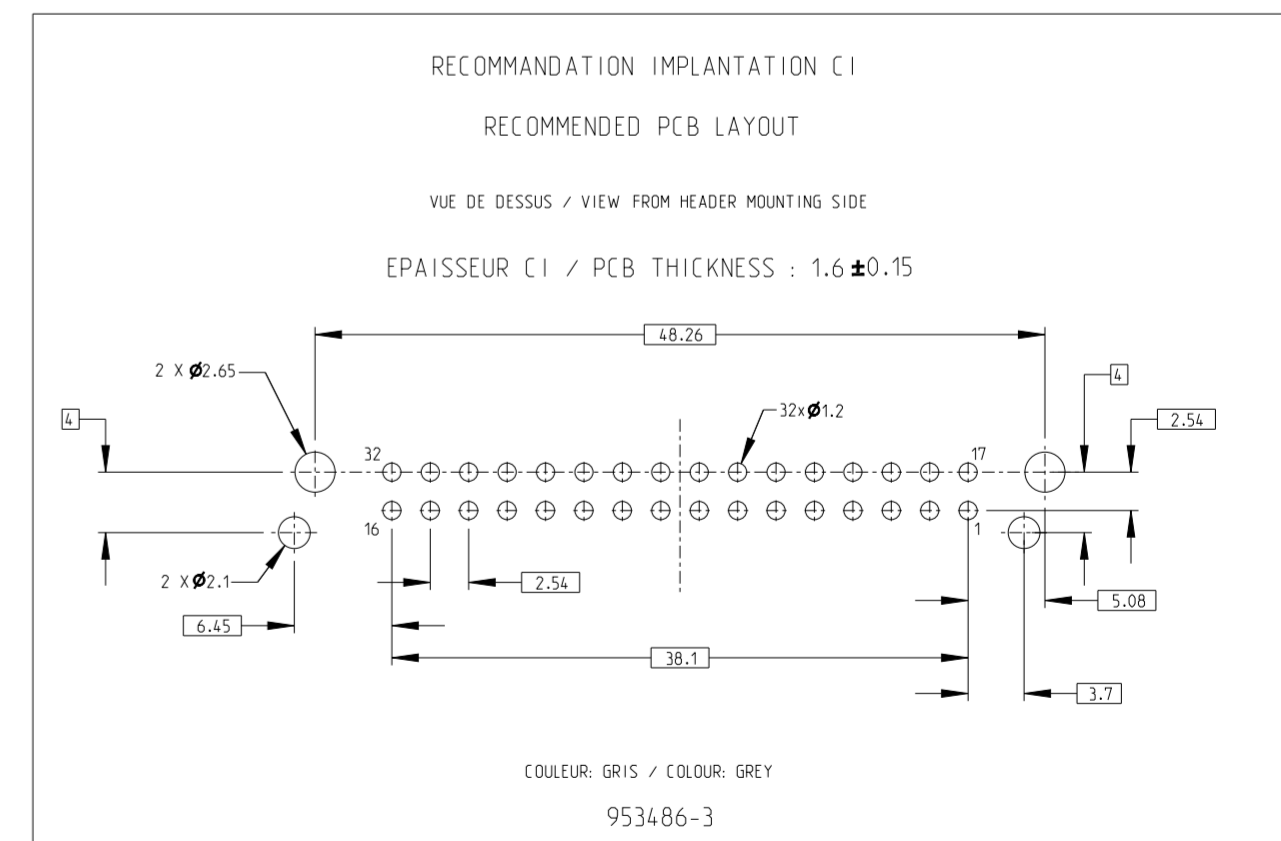
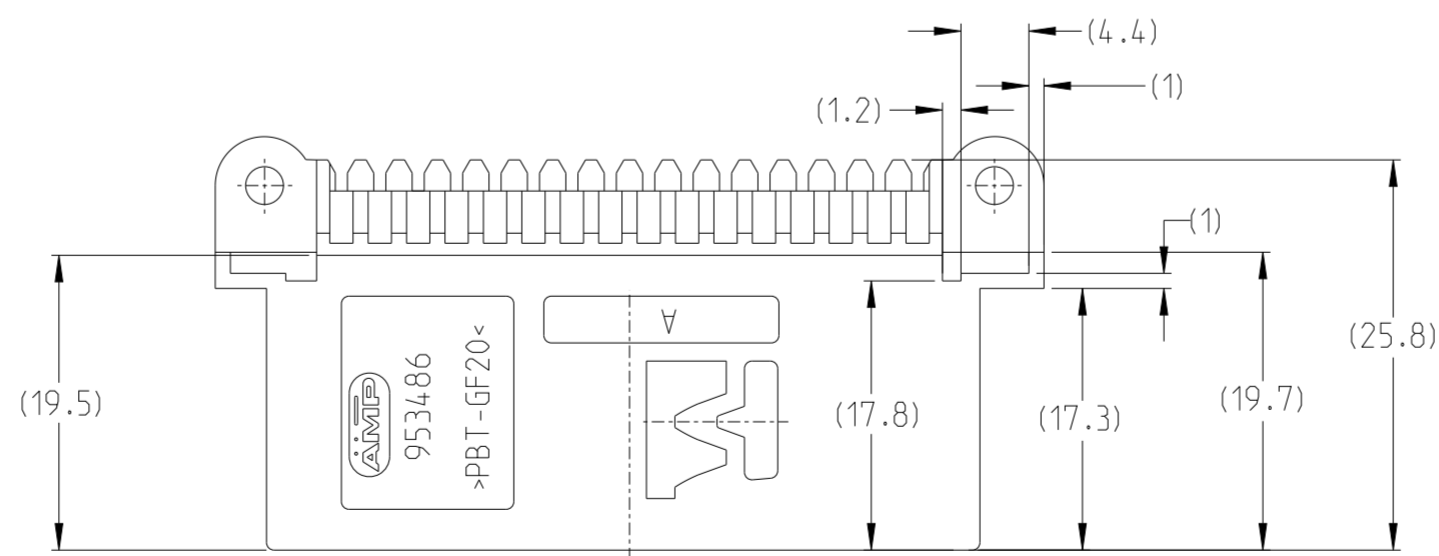
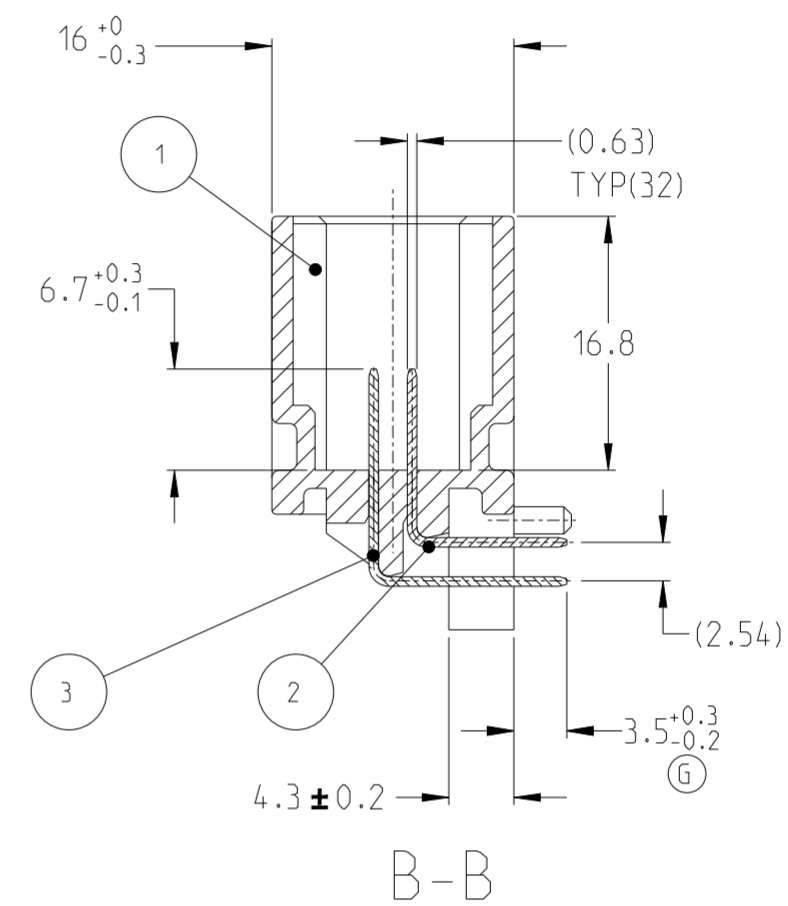
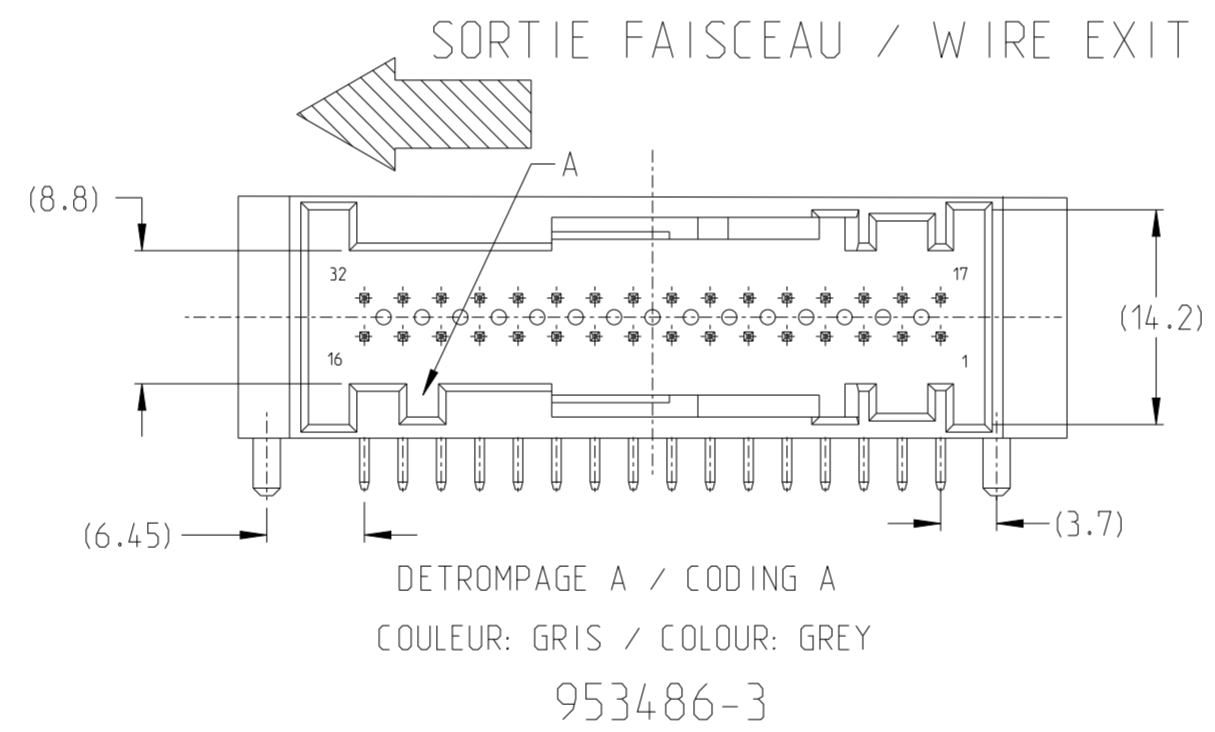
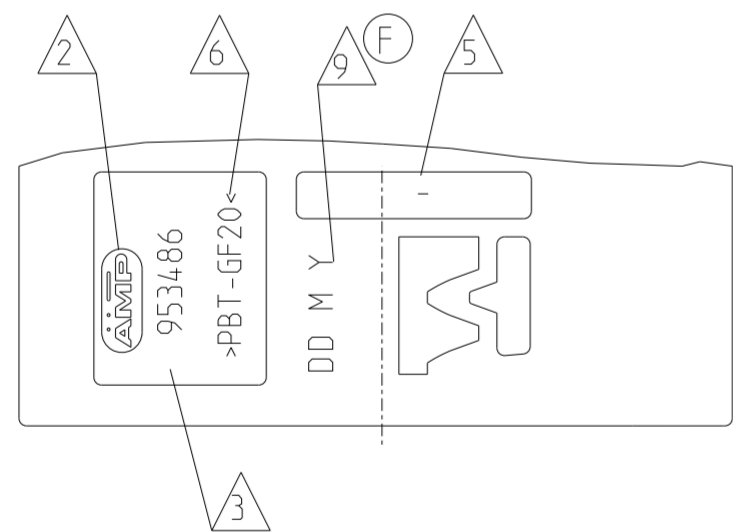
- 1 DATE DE MOULAGE
- 2 LOGO DE TE
- 3 REFERENCE DU PRODUIT ASSEMBLE
- 4 N° D'EMPREINTE DU MOULE
- 5 REVISION DU MOULE
- 6 MATIERE
- 7 CONTRE-PARTIE:
CONNECTEUR REF.929053
- 8 DATE D'ASSEMBLAGE
(DD = Jour ; M = Mois ; Y = année)
- 9 ZONE DE MARQUAGE ALTERNATIVE
DE LA DATE D'ASSEMBLAGE.



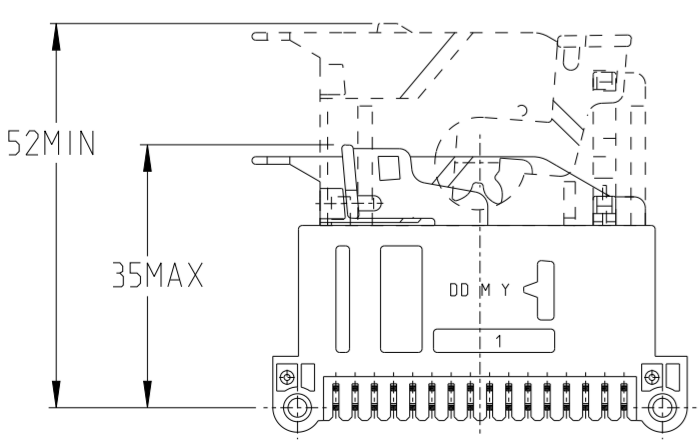
REVISIONS					
P	LTR	DESCRIPTION	DATE	DWN	APVD
-	-	SEE SHEET 1	-	-	-

NOTES:

- 1 HOUSING DATE CODE
- 2 TE LOGO
- 3 ASSY PART NUMBER
- 4 CAVITY MARKING
- 5 REVISION STATUS FOR PN953486-3
- 6 MATERIAL REFERENCE
- 7 MATING PART:
CONNECTOR PN 929053
- 8 ASSY DATE CODE
(DD = Day ; M = Month ; Y = Year)
- 9 ALTERNATIVE AREA FOR ASSY DATE MARKING.



DETROMPAGE A / CODING A
953486-3



ECHELLE 1:1 / SCALE 1:1

ASSY. PN	QTY	MATERIAL	DESIGNATION / NAME	COULEUR / COLOR	ITEM
953486-3	-	CuSn6	MQS LONG CONTACT	ETAME / TIN	3
	-	CuSn6	MQS SHORT CONTACT	ETAME / TIN	2
	-	PBT GF20	BOITIER / HOUSING (VERSION AVEC 2 PIONS / WITH 2 PINS KEYING VERSION)	GRIS / GREY	1

THIS DRAWING IS A CONTROLLED DOCUMENT.

DIMENSIONS: mm

TOLERANCES UNLESS OTHERWISE SPECIFIED:

0-PLC	±
1-PLC	±0.3
2-PLC	±
3-PLC	±
4-PLC	±
ANGLES	±5°
FINISH	-

MATERIAL: -

01JUL98
DWN J.LAQUERBE
18JUN99
CHK J.LAQUERBE
18JUN99
APVD J.JEVI
PRODUCT SPEC 108-15211
APPLICATION SPEC -

WEIGHT 10.7 g

CUSTOMER DRAWING

SCALE 2:1 SHEET 5 OF 7 REV K

RESTRICTED TO

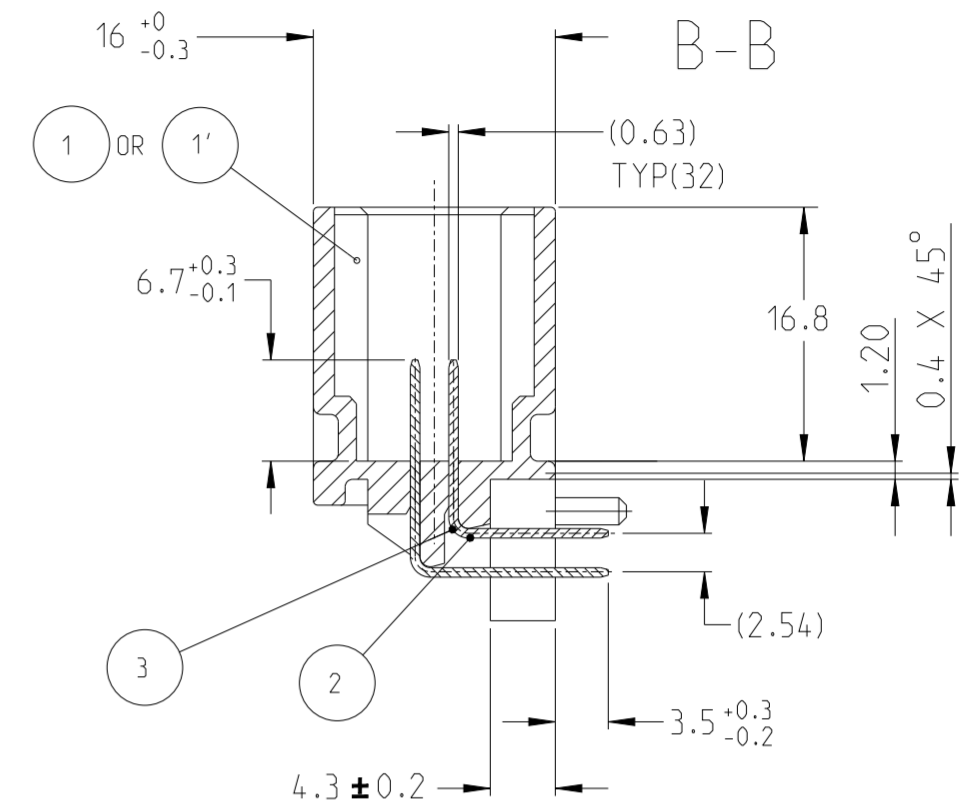
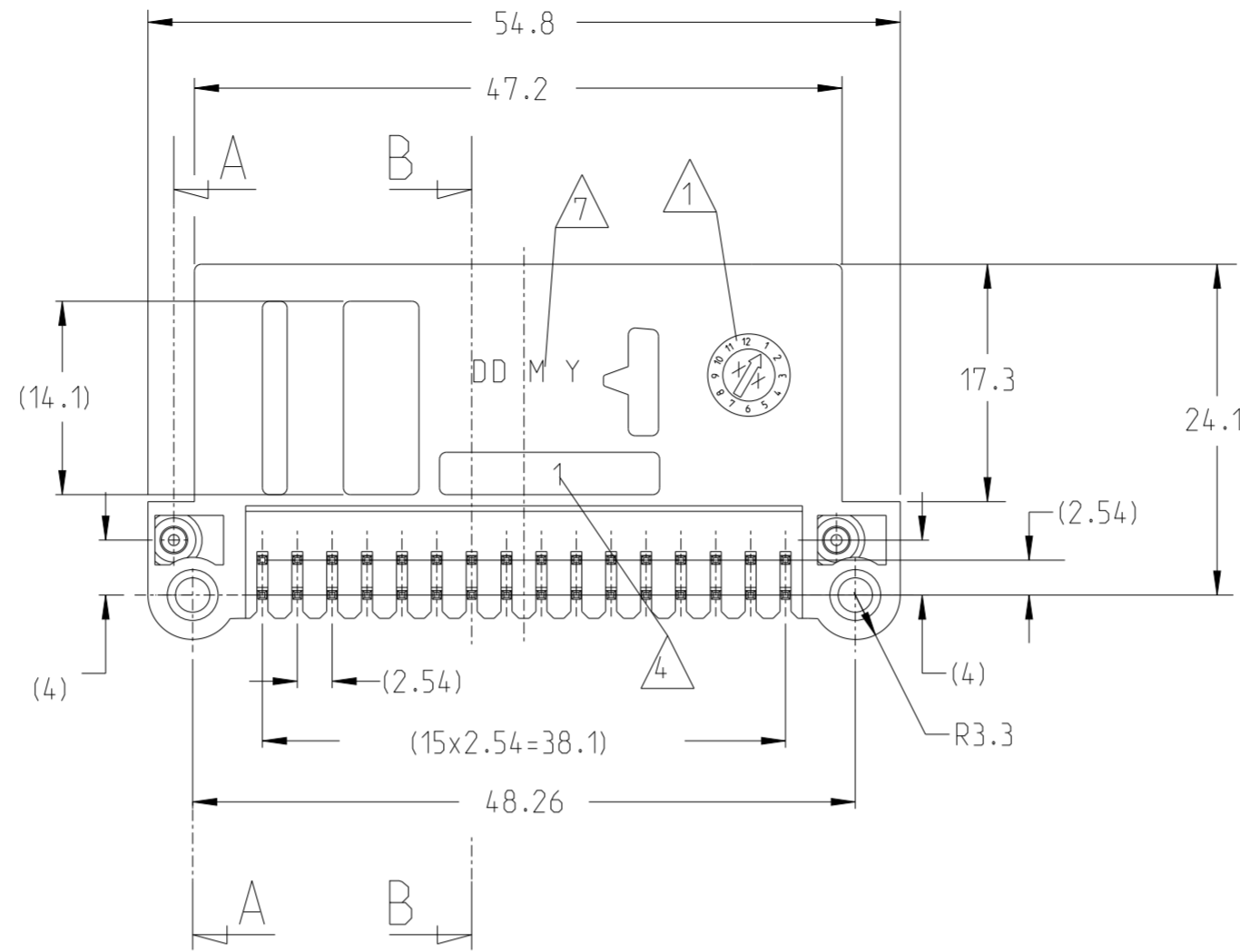
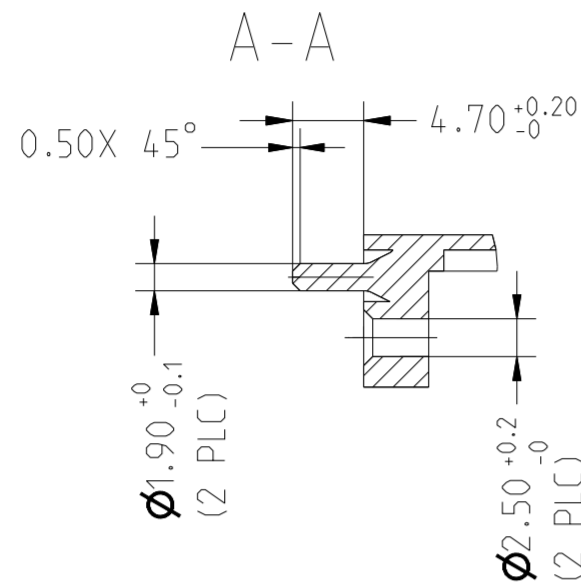
NAME EMBASE 32V MQS COUDEE AVEC OREILLES
32W MQS RIGHT ANGLE HEADER WITH
EARS

SIZE A2 CAGE CODE 00779 DRAWING NO C-953486

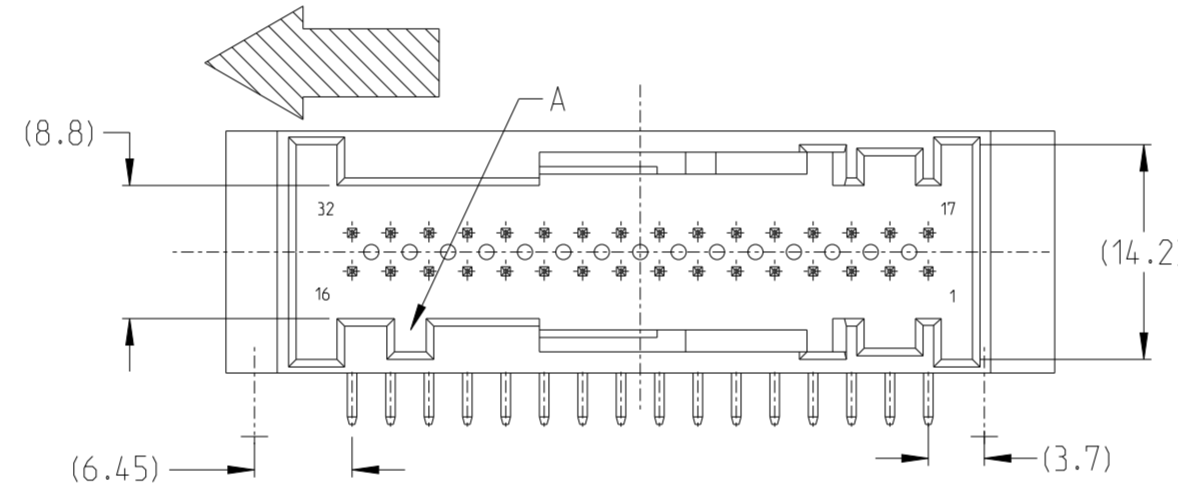
REVISIONS					
P	LTR	DESCRIPTION	DATE	DWN	APVD
-	-	SEE SHEET 1	-	-	-

- NOTES:
- 1 DATE DE MOULAGE
 - 2 LOGO DE TE
 - 3 REFERENCE DU PRODUIT ASSEMBLE
 - 4 N° D'EMPREINTE DU MOULE
 - 5 MATIERE
 - 6 CONTRE-PARTIE:
CONNECTEUR REF.929053
 - 7 DATE D'ASSEMBLAGE
(DD = Jour ; M = Mois ; Y = année)
 - 8 ZONE DE MARQUAGE ALTERNATIVE
DE LA DATE D'ASSEMBLAGE.

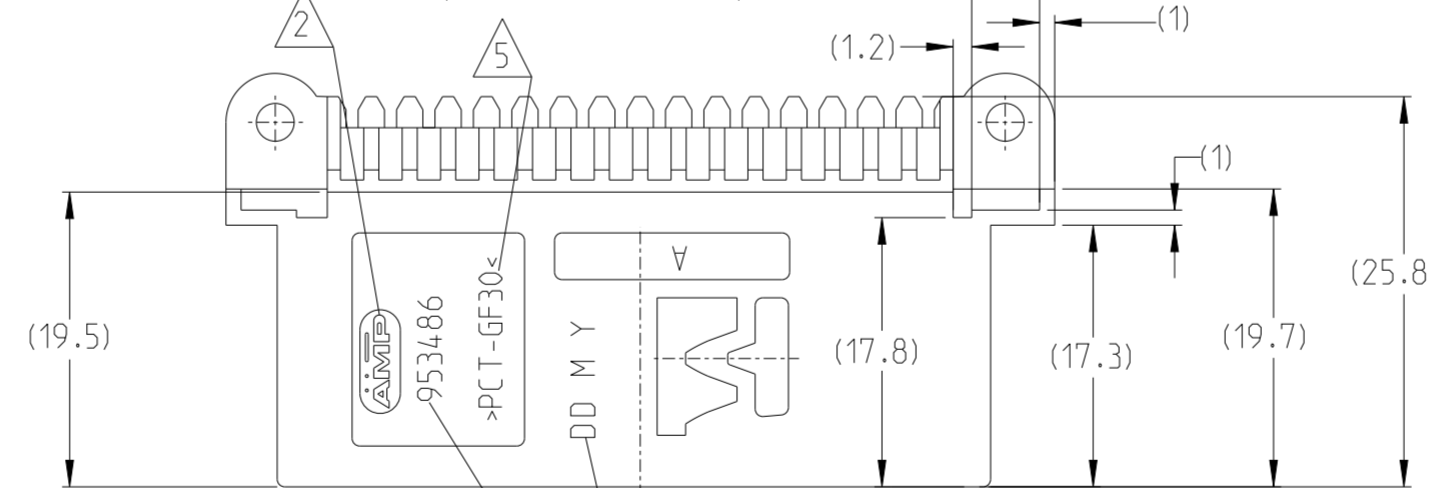
- NOTES:
- 1 HOUSING DATE CODE
 - 2 TE LOGO
 - 3 ASSY PART NUMBER
 - 4 CAVITY MARKING
 - 5 MATERIAL REFERENCE
 - 6 MATING PART:
CONNECTOR PN 929053
 - 7 ASSY DATE CODE
(DD = Day ; M = Month ; Y = Year)
 - 8 ALTERNATIVE AREA FOR ASSY DATE MARKING.



SORTIE FAISCEAU / WIRE EXIT

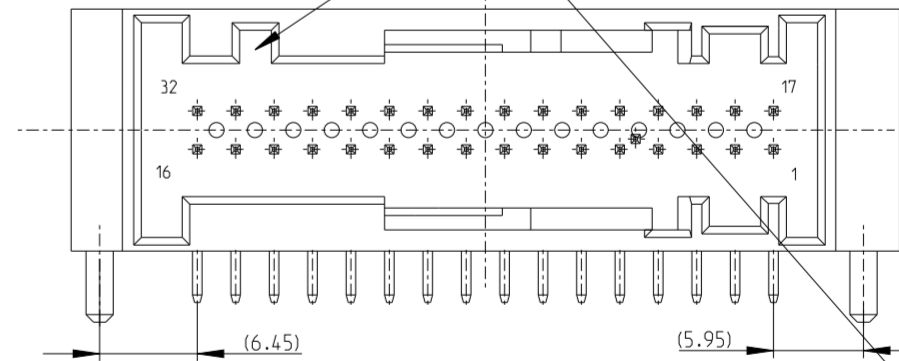


953486-5
DETROMPAGE A / CODING A
(GRIS / GREY)



OBSOLETE

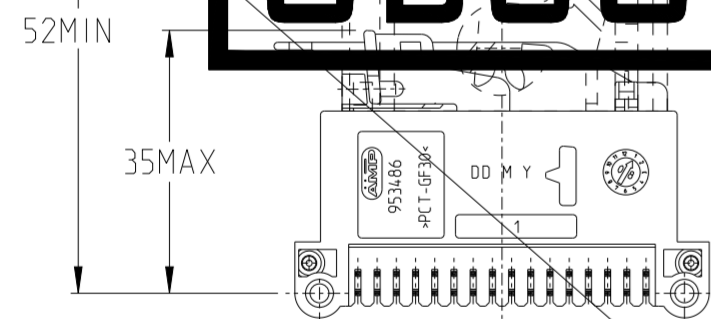
SORTIE FAISCEAU / WIRE EXIT



953486-6
DETROMPAGE B / CODING B
(BLEU / BLUE)

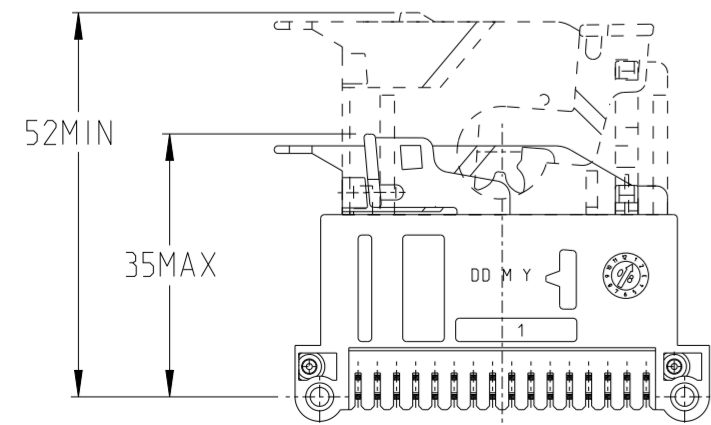
DETROMPAGE B / CODING B
PN 953486-6

OBSOLETE



ECHELLE 1:1 / SCALE 1:1

DETROMPAGE A / CODING A
PN 953486-5



ECHELLE 1:1 / SCALE 1:1

ASSY. PN	QTY	MATERIAL	DESIGNATION / NAME	COULEUR / COLOR	ITEM
953486-6	16	CuSn6	MQS LONG CONTACT	ETAME / TIN	3
953486-5	16		MQS SHORT CONTACT	BLEU / BLUE	2
	1	PCT GF30	BOITIER / HOUSING (VERSION AVEC 2 PIONS / WITH 2 PINS KEYING VERSION)	GRIS / GREY	1
	1		BOITIER / HOUSING (VERSION AVEC 2 PIONS / WITH 2 PINS KEYING VERSION)	BLEU / BLUE	1

THIS DRAWING IS A CONTROLLED DOCUMENT.

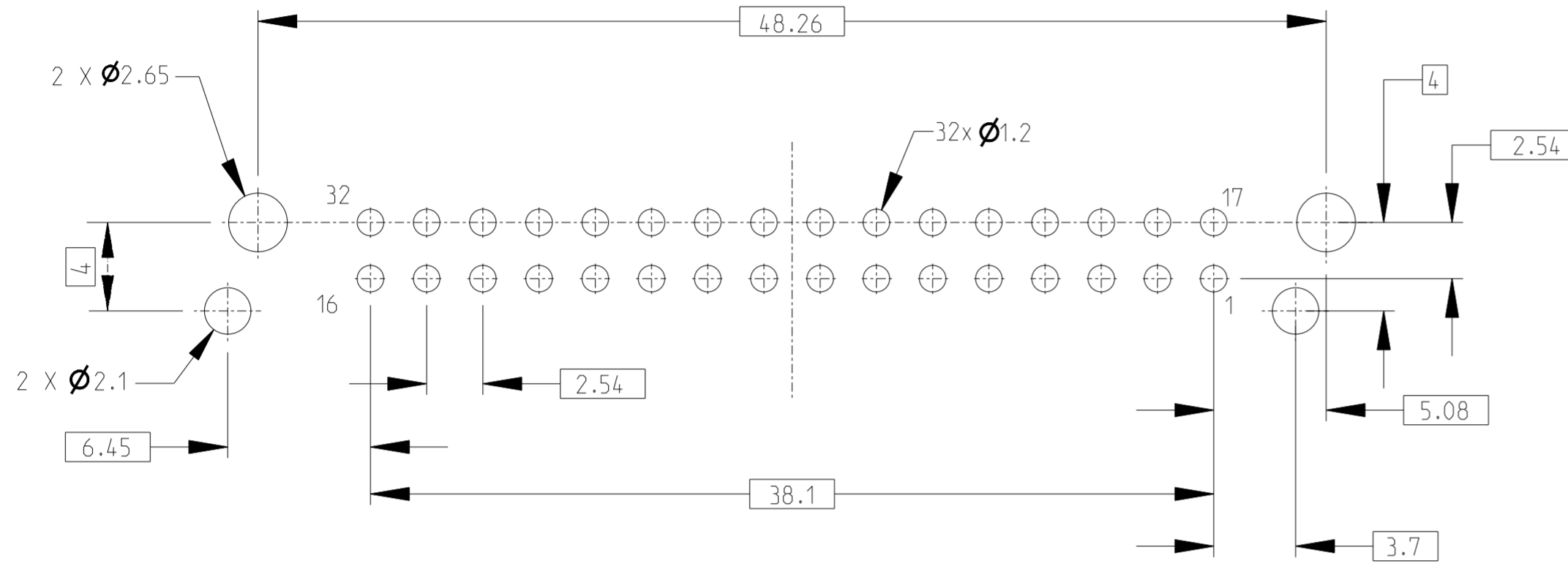
DIMENSIONS:	TOLERANCES UNLESS OTHERWISE SPECIFIED:
mm	0-PLC ±0.3
	1-PLC ±0.3
	2-PLC ±0.3
	3-PLC ±0.3
	4-PLC ±0.3
	ANGLES ±5°
MATERIAL	FINISH

DWN	J.LAQUERBE	01JUL98	 TE Connectivity	NAME EMBASE 32V MQS COUDEE AVEC OREILLES 32W MQS RIGHT ANGLE HEADER WITH EARS			
CHK	J.LAQUERBE	18JUN99					
APVD	J.JREVI	18JUN99					
PRODUCT SPEC	108-15211						
APPLICATION SPEC			SIZE	CAGE CODE	DRAWING NO	RESTRICTED TO	
WEIGHT	10.7 g	A2	00779	C-953486			
CUSTOMER DRAWING		SCALE	2:1	SHEET	6 OF 7	REV	K

P	LTR	DESCRIPTION	DATE	DWN	APVD
-		SEE SHEET 1	-	-	-

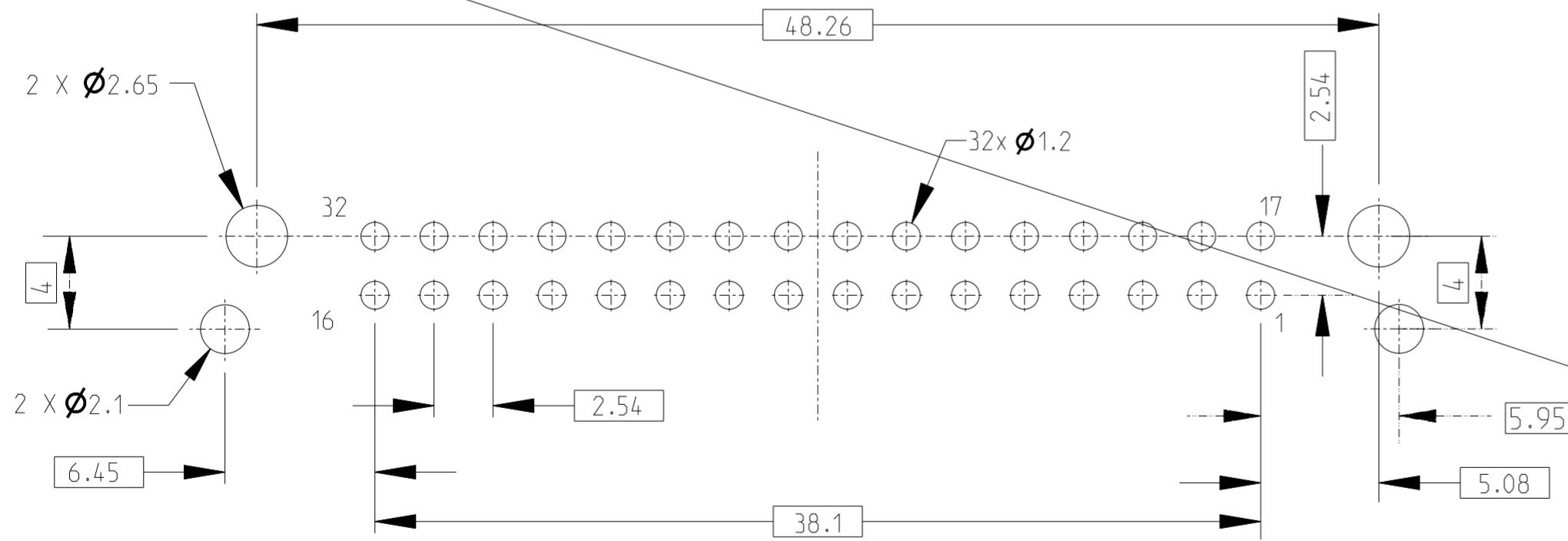
RECOMMANDATION IMPLANTATION CI
 RECOMMENDED PCB LAYOUT
 VUE DE DESSUS / VIEW FROM HEADER MOUNTING SIDE
 EPAISSEUR CI / PCB THICKNESS : 1.6 ±0.15

P/N ASS'Y
 REF. ASSEMBLEE


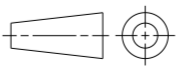


953486-5
 (GRIS / GREY)

OBSOLETE



953486-6
 (BLEU / BLUE)

THIS DRAWING IS A CONTROLLED DOCUMENT.		DWN J.LAQUERBE 01JUL98	 TE Connectivity	
DIMENSIONS: mm		CHK J.LAQUERBE 18JUN99		
TOLERANCES UNLESS OTHERWISE SPECIFIED:		APVD J.J.REVI 18JUN99	NAME EMBASE 32V MQS COUDEE AVEC OREILLES 32W MQS RIGHT ANGLE HEADER WITH EARS	
		PRODUCT SPEC 108-15211	SIZE A2	CAGE CODE 00779
MATERIAL -		APPLICATION SPEC -	DRAWING NO C-953486	RESTRICTED TO -
0-PLC ± 1-PLC ±0.3 2-PLC ± 3-PLC ± 4-PLC ± ANGLES ±5° FINISH -		WEIGHT 10.7 g	SCALE 2:1	SHEET 7 OF 7
		CUSTOMER DRAWING	REV K	

X-ON Electronics

Largest Supplier of Electrical and Electronic Components

Click to view similar products for [Automotive Connectors](#) category:

Click to view products by [TE Connectivity](#) manufacturer:

Other Similar products are found below :

[003-018-000](#) [60403001](#) [60993906-B](#) [M902-2131](#) [M902-2161](#) [72.330.1035.1](#) [73.353.4028.0](#) [F119300-B](#) [F166900](#) [F258300-B](#) [F358300-B](#)
[F407400](#) [F444110](#) [F487000](#) [F509500B-B](#) [827153-1](#) [8N1515-32-24P](#) [9-1326729-8](#) [925474-1](#) [928905-1](#) [964562-4](#) [968782-1](#) [GT17SA-8DS-](#)
[HU](#) [98891-1012](#) [98947-1016](#) [12004147](#) [12004475-L](#) [12010290](#) [12010309-B](#) [12015454](#) [12020219-B](#) [12020308](#) [12041318-B](#) [12052225-L](#)
[12052466](#) [12059125](#) [12064869](#) [12004327-B](#) [12010503-B](#) [12015308](#) [12015384](#) [12015909](#) [1-21030-1](#) [12041254](#) [12041318](#) [12047946-B](#)
[12047957](#) [12047957-L](#) [12059473](#) [12066261](#)