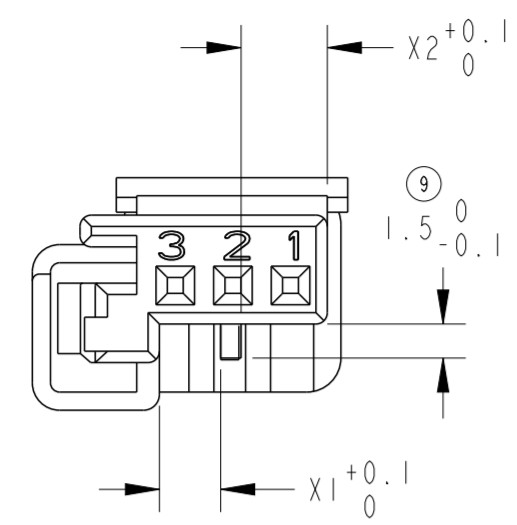


THIS DRAWING IS UNPUBLISHED.  
 DIFFUSION RESTREINTE  
 © COPYRIGHT 2006 BY -  
 RELEASED FOR PUBLICATION  
 LIBRE A LA DIFFUSION  
 2006  
 ALL RIGHTS RESERVED.  
 TOUS DROITS RESERVES

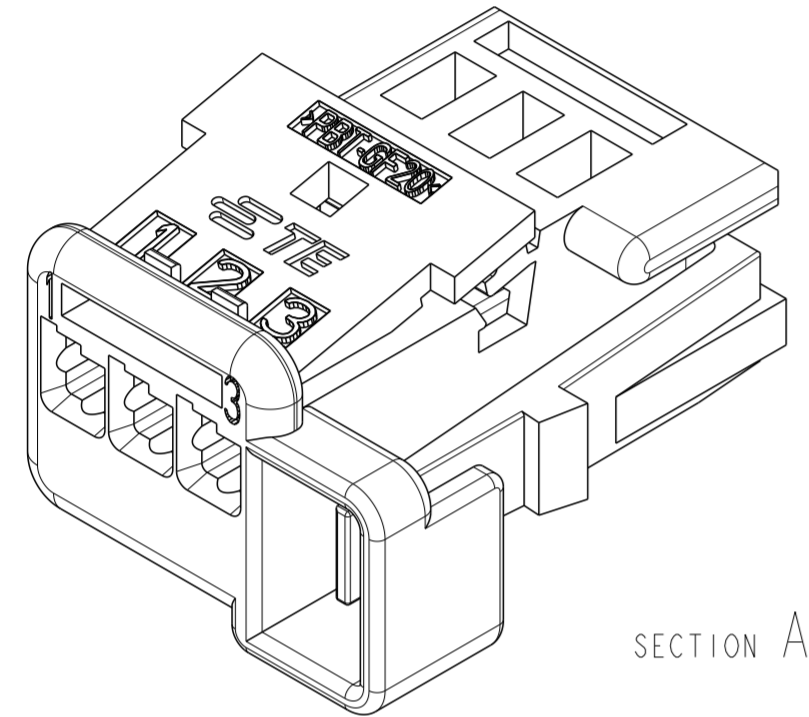
LOC		DIST		REVISIONS					
F		00		P	LTR	DESCRIPTION MODIFICATIONS	DATE	DWN DESS.	APVD APP.
				BI		REVISED PER ECO-11-005150	28MAR2011	RK	HMR
				C		NEW PART NUMBER I-953697-1 ADDED	08APR2013	EC	XR

KEYING TABLE (table de detrompage)

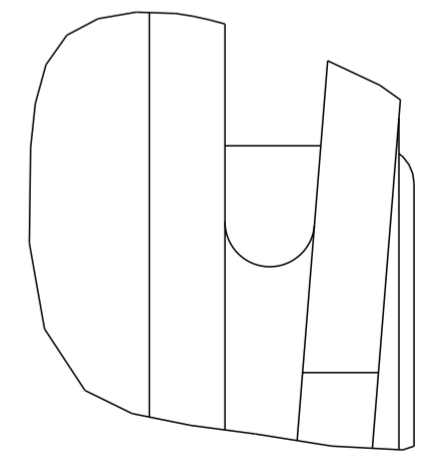
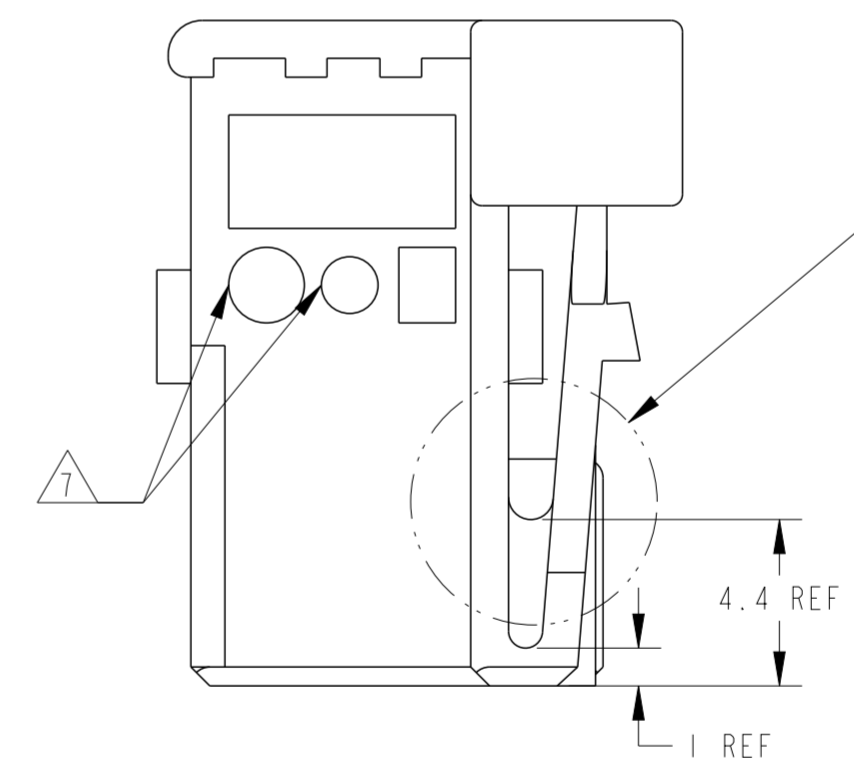
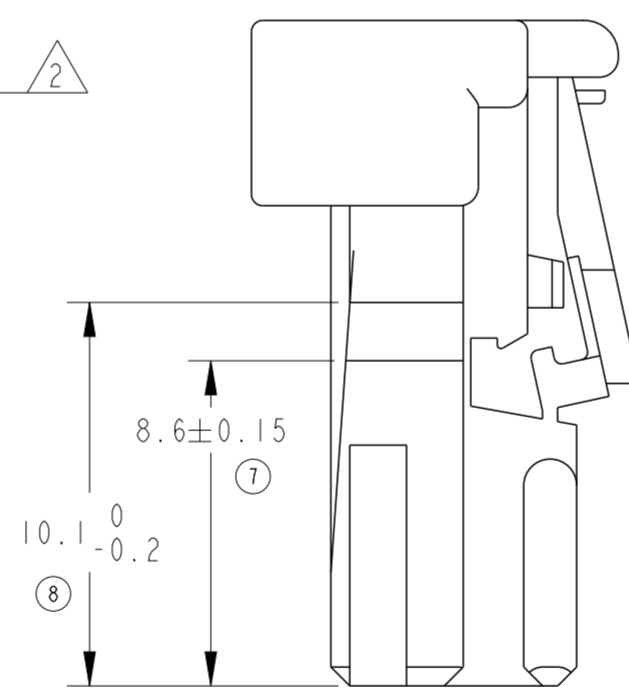
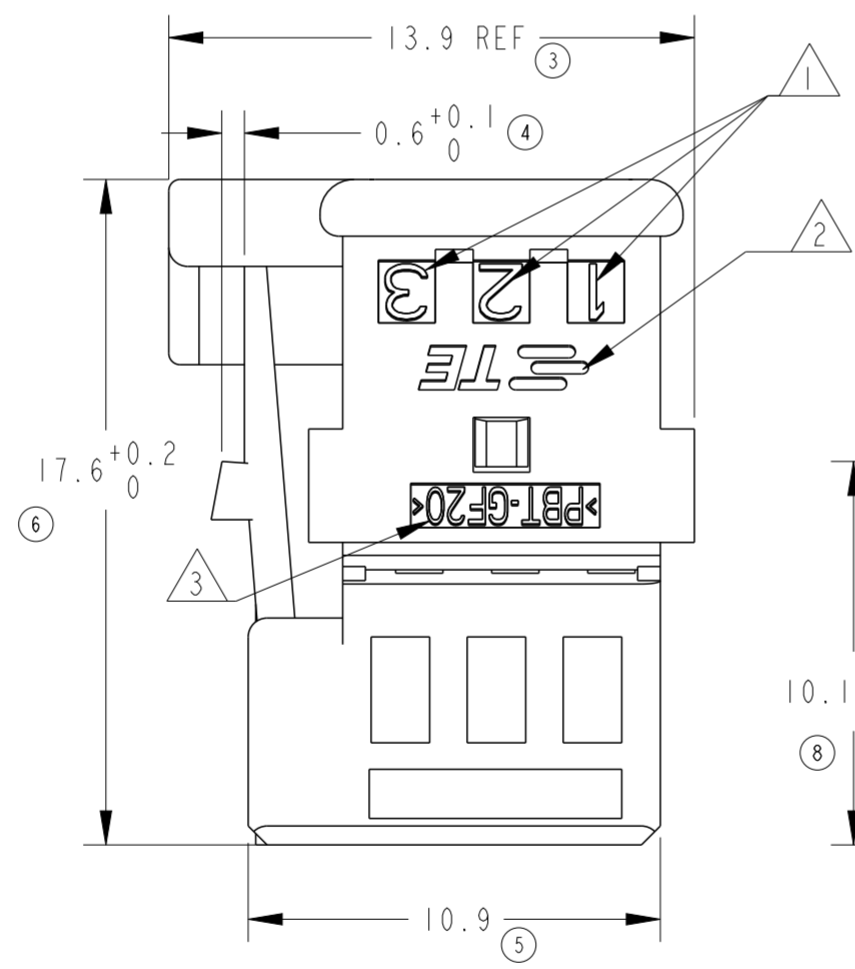
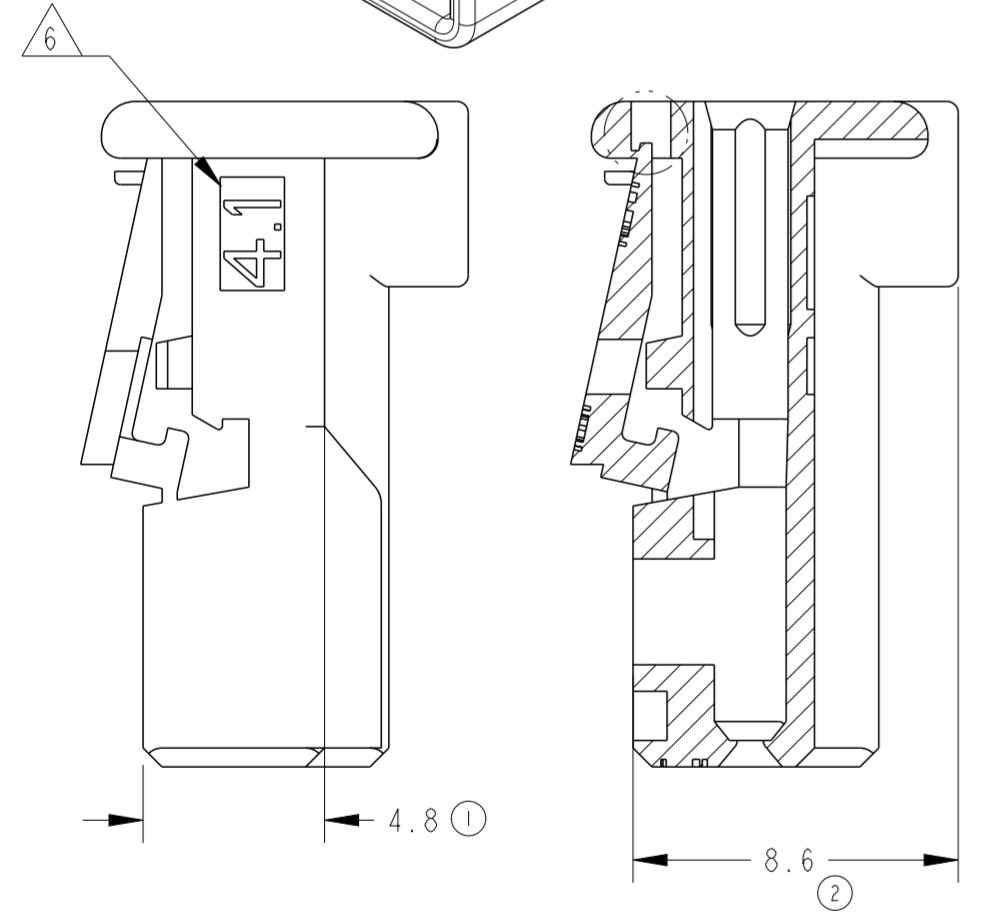
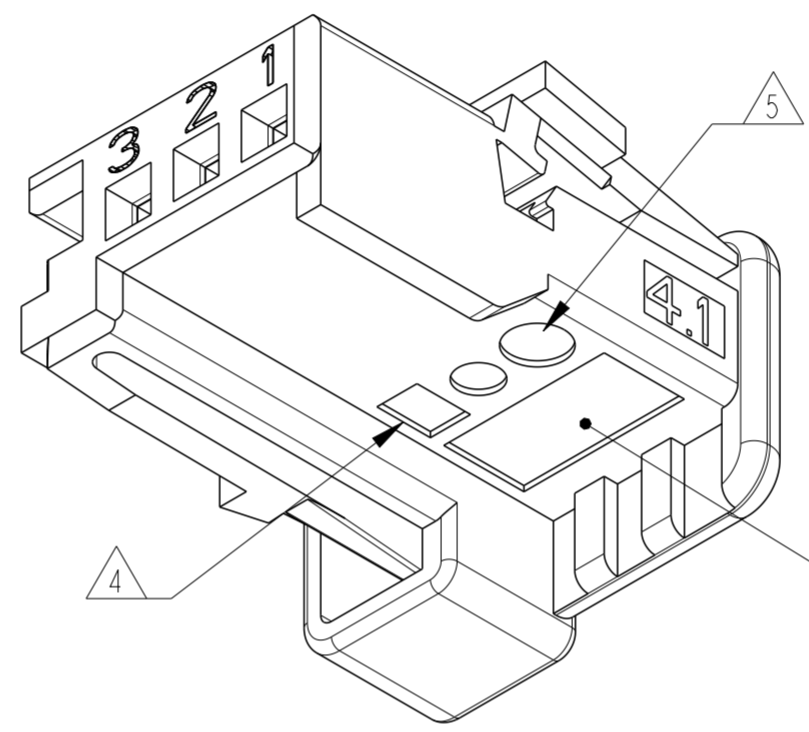
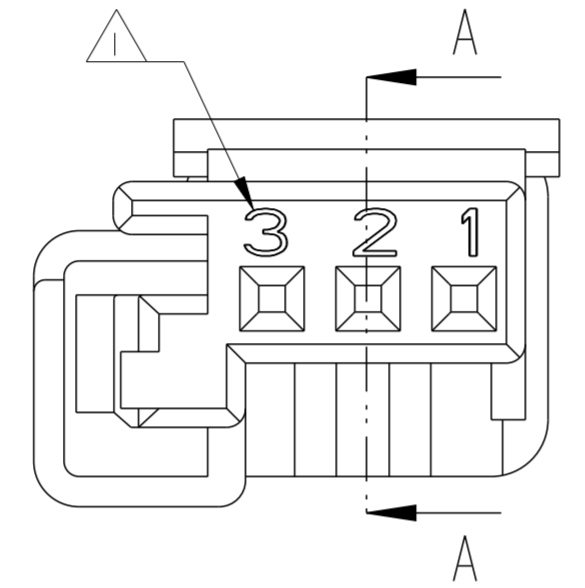
COLOR couleur	X1	X2	PART NO
BLACK noir	6.5 (10)	0 (11)	953697-1 AND I-953697-1 (SEE NOTE 9)
WHITE blanc	5.2 (12)	1.3 (13)	953697-2
BLUE bleu	4 (14)	2.5 (15)	953697-3
YELLOW jaune	2.7 (16)	3.8 (17)	953697-4
GREY gris	1.5 (18)	5 (19)	953697-5
BROWN marron	0 (20)	6.3 (21)	953697-6



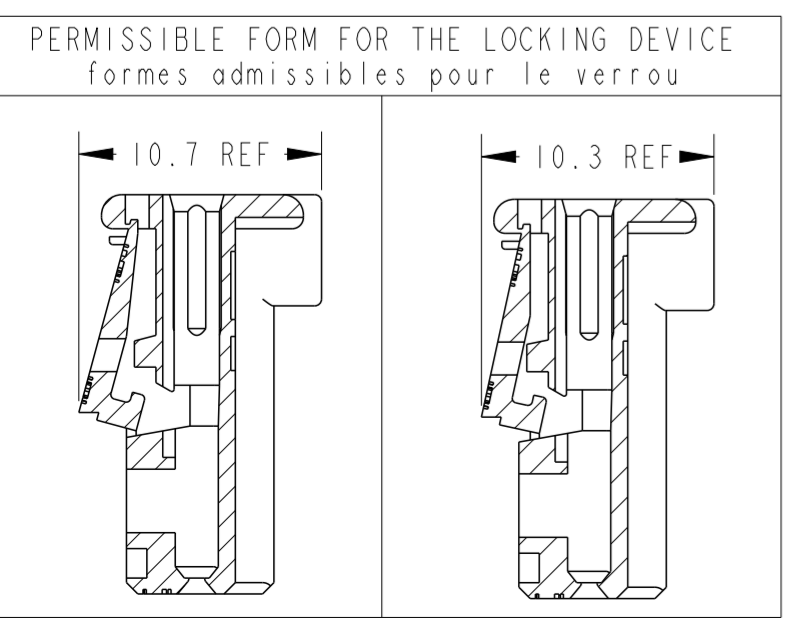
- 1 CAVITY MARKING  
reperes alveoles
- 2 AMP STAMP OR TE CONNECTIVITY STAMP (following mold)-  
logo AMP ou logo TE CONNECTIVITY (suivant moule)
- 3 MATERIAL IDENTIFICATION  
marquage matiere
- 4 MOLD REVISION NUMBER (optional)  
indice de revision moule (optionnel)
- 5 MOLD IDENTIFICATION  
identification moule
- 6 MOLD CAVITY IDENTIFICATION NUMBER  
numero d'empreinte moule
- 7 EXCHANGEABLE MANUFACTURING DATE  
date de fabrication exchangeable
- 8 "PSA" CUSTOMER STAMP POSSIBLE  
NO MARKING IN THIS AREA FOR PN I-953697-1  
Marquage logo "PSA" possible  
Aucun marquage dans cette zone pour PN I-953697-1



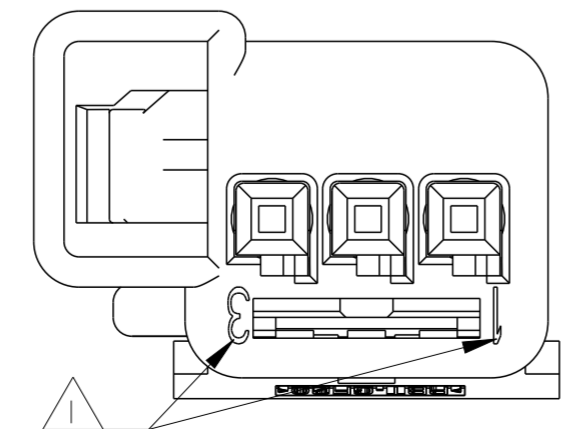
SECTION A-A



DETAIL X  
SCALE 10:1



SECTION A-A  
SCALE 3:1



THIS DRAWING IS A CONTROLLED DOCUMENT.		DWN/DESSINE 22MAR2006 M. POLIFONTE		TE Connectivity	
DIMENSIONS: mm		CHK/VERIFIE 22MAR2006 X ROULLIARD			
TOLERANCES UNLESS OTHERWISE SPECIFIED: TOLERANCES NON SPECIFIEES		APVD/APPROUVE 22MAR2006 J. DAHER		NAME / TITRE 3 POS. MQS RECEPTACLE HOUSING POSITIVE MATE porte-clips 3 voies MQS avaloir	
0 PLC/DEC: ± 1 PLC/DEC: ± 2 PLC/DEC: ± 3 PLC/DEC: ± 4 PLC/DEC: ± ANGLES ±5°		PRODUCT SPEC. PRODUIT 108-15226 APPLICATION SPEC. SPEC. APPLICATION 411-15626		SIZE / FORMAT A2 CAGE CODE 00779 DRAWING NO / No PLAN C-953697	
MATERIAL/MATIERE PBT-GF20		FINISH/FINITION		WEIGHT / MASSE APPROX. 1g Customer Drawing / PLAN CLIENT UNIFORMITY / POUR REFERENCE SCALE / ECHELLE 5:1 SHEET / FEUILLE 1 OF / DE 1 REV C	

## X-ON Electronics

Largest Supplier of Electrical and Electronic Components

*Click to view similar products for [Automotive Connectors](#) category:*

*Click to view products by [TE Connectivity](#) manufacturer:*

Other Similar products are found below :

[003-018-000](#) [60993906-B](#) [M902-2131](#) [M902-2161](#) [M902-2344](#) [72.330.1035.1](#) [73.353.4028.0](#) [F166900](#) [F358300-B](#) [F407400](#) [776880-1](#)  
[827153-1](#) [8N1515-32-24P](#) [9-1326729-8](#) [925474-1](#) [928905-1](#) [964562-4](#) [968782-1](#) [98891-1012](#) [12004475-L](#) [12020308](#) [12041318-B](#)  
[12052466](#) [12064869](#) [12015909](#) [1-21030-1](#) [12041254](#) [12041318](#) [12047946-B](#) [12047957](#) [12110546-B](#) [12131792](#) [12092346](#) [HD34-18-14PT](#)  
[HD46-24-23SN-059](#) [HDB36-24-16PN-059](#) [HDP26-24-9SE-L015](#) [12185550](#) [12336-12](#) [12147304](#) [12191172-B](#) [12S](#) [13545280](#) [13577943](#)  
[13681974](#) [13737722-B](#) [13755420](#) [13783086](#) [13830674](#) [13832576](#)