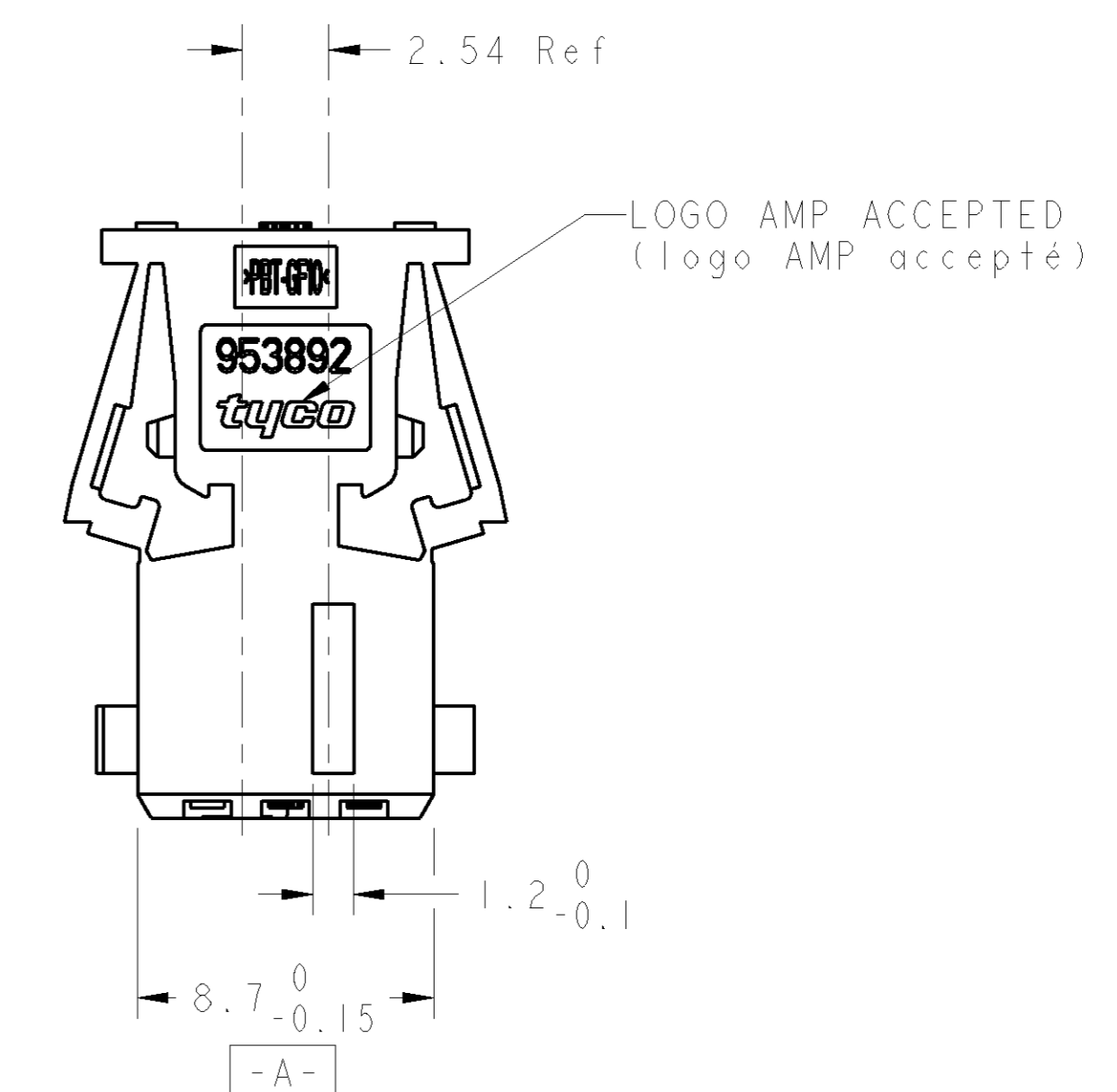
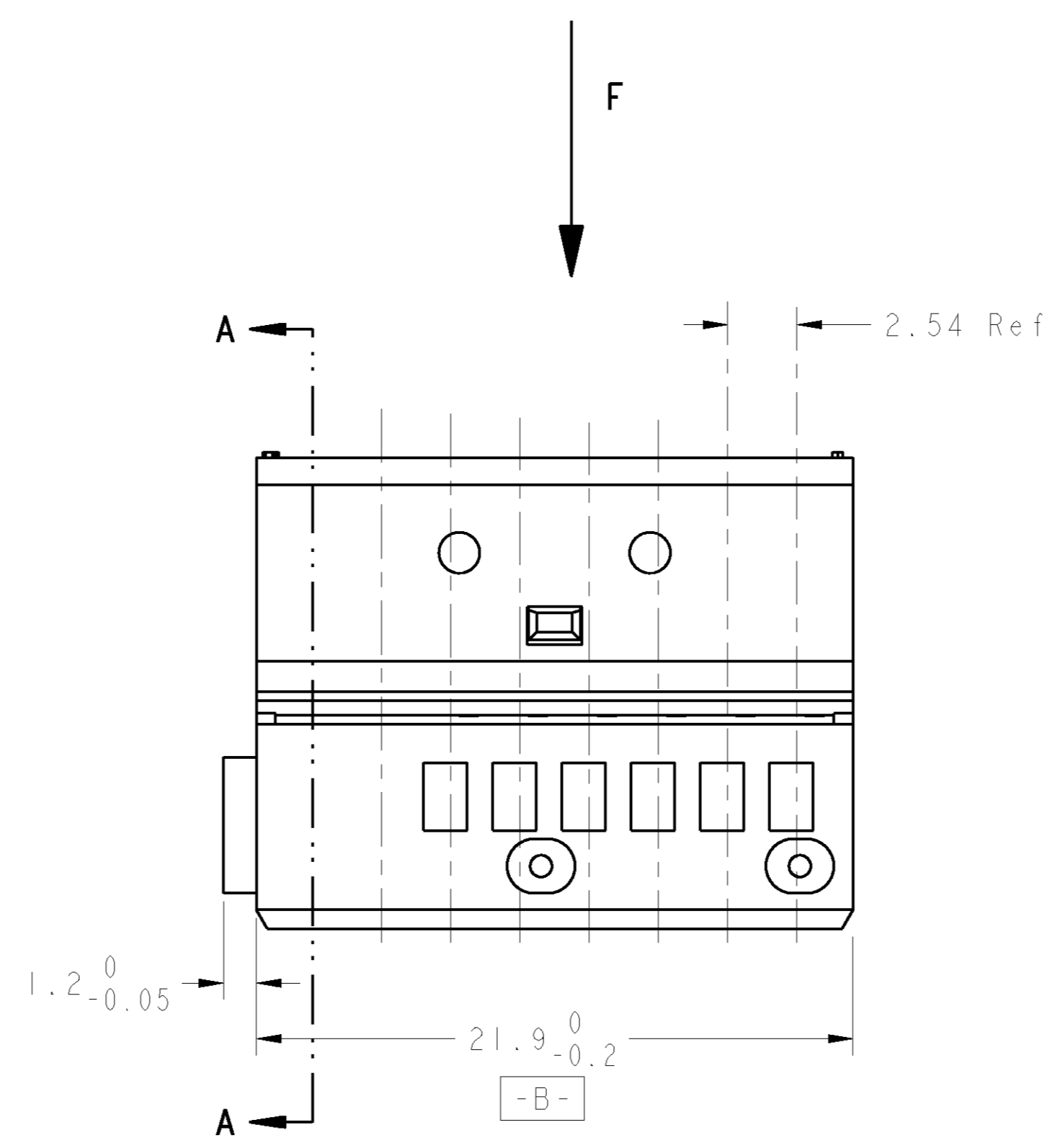
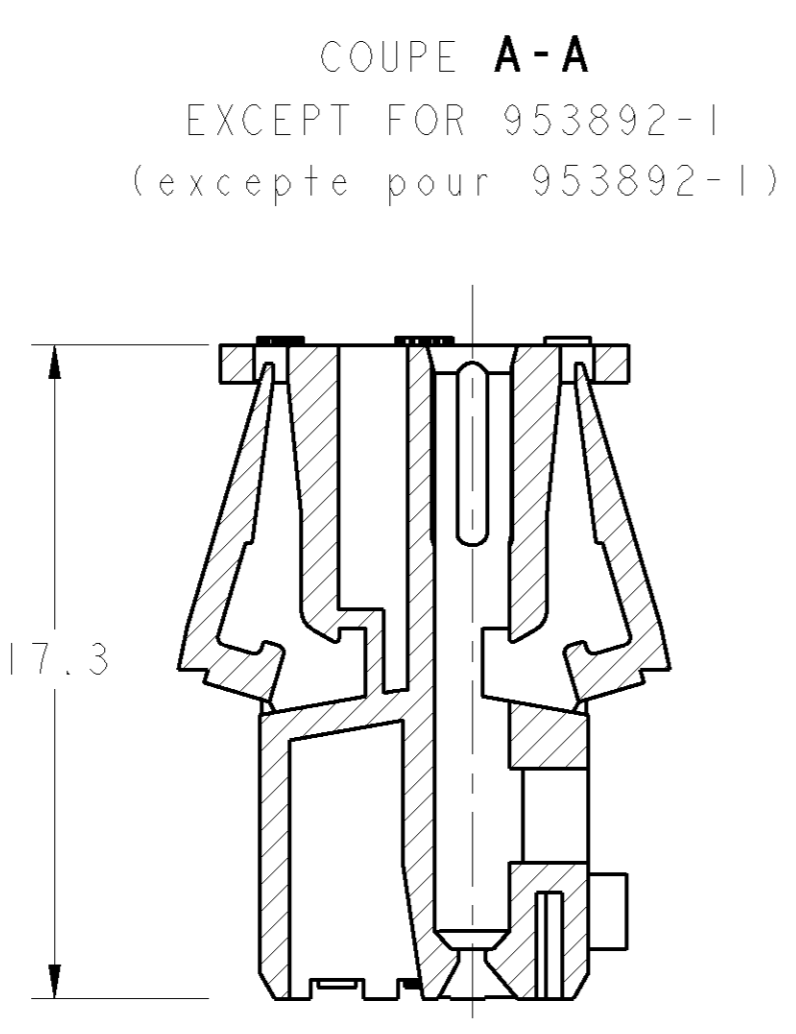
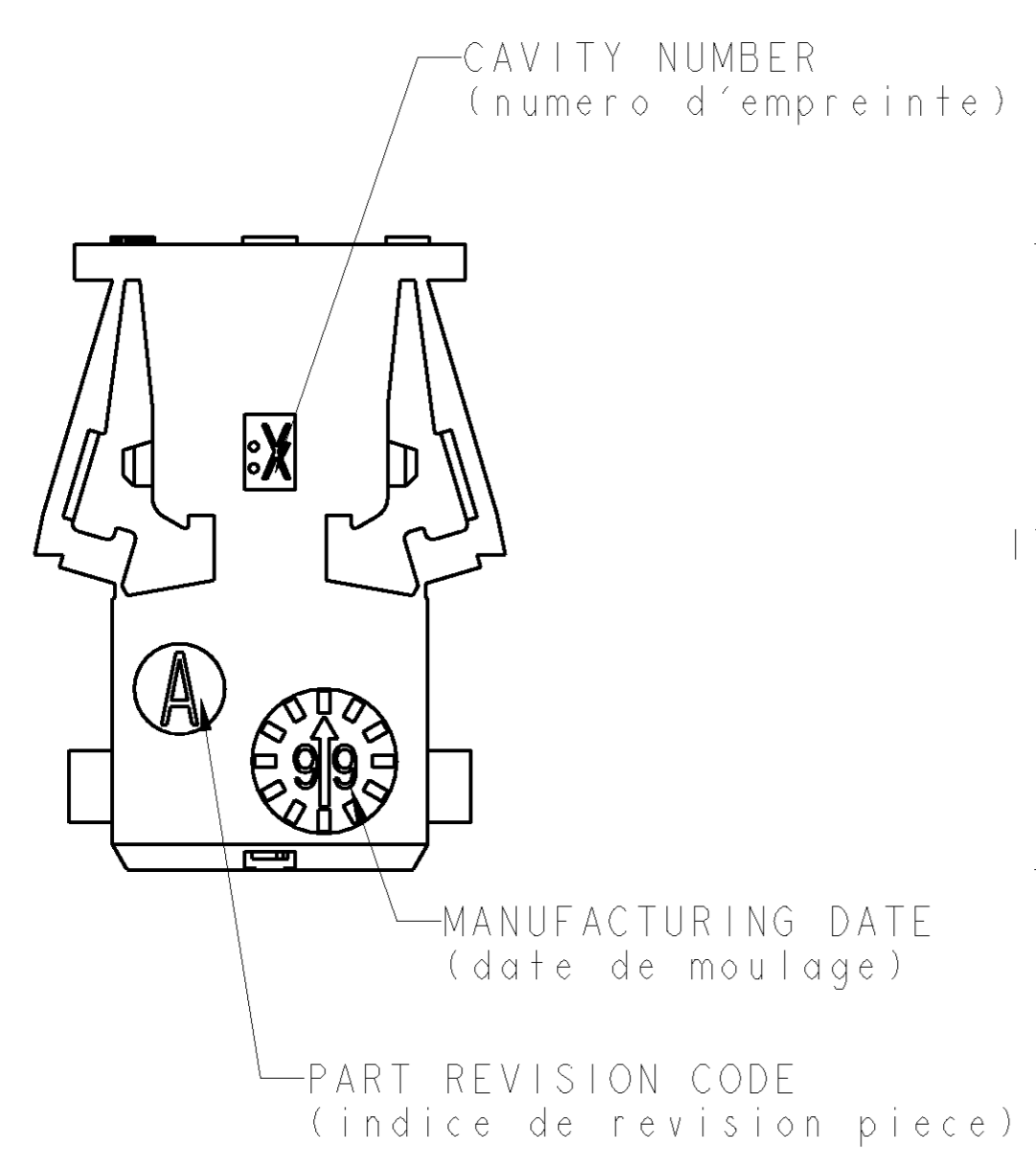


LOC	DIST	REVISIONS				
F	7	LTB/REV	DESCRIPTION/MODIFICATIONS	DATE	DWN/DES	APPV/APP
		A	Amelioration produit (clipsage volet)	31AUG2001	F.J	J.P.P
		B	Ajout 4 trous optionnels sur volets	09NOV2001	F.J	J.P.P
		C	NOTE LOGO AMP/TOLERANCE COTE 21.9	11MAY2006	P.B	J.P.P



VIEW FOLLOWING F (vue suivant F) ECHELLE 3:1	COUNTERPART (contrepartie)	COLOR (couleur)	MATERIAL (matiere)	DESCRIPTION (description)	PRC (rev)	PART NUMBER (reference)
<p>2.8±0.08</p>	4-953893-1	BLUE (BLEU)	PBT GF 10 (PBT 10% FV)	RECEPTACLE HSG 8 POS. PORTE CLIPS "MOS" 8 VOIES	A	4-953892-1
<p>1.4±0.08</p>	3-953893-1	BROWN (MARRON)	PBT GF 10 (PBT 10% FV)	RECEPTACLE HSG 10 POS. PORTE CLIPS "MOS" 10 VOIES	A	3-953892-1
	2-953893-1	BLACK (NOIR)	PBT GF 10 (PBT 10% FV)	RECEPTACLE HSG 12 POS. PORTE CLIPS "MOS" 12 VOIES	A	2-953892-1
<p>1.4±0.08</p>	1-953893-1	GREY (GRIS)	PBT GF 10 (PBT 10% FV)	RECEPTACLE HSG 14 POS. PORTE CLIPS "MOS" 14 VOIES	A	1-953892-1
<p>2.8±0.08</p>	953893-1	GREEN (VERT)	PBT GF 10 (PBT 10% FV)	RECEPTACLE HSG 16 POS. PORTE CLIPS "MOS" 16 VOIES	A	953892-1

<small>THIS DRAWING IS UNPUBLISHED. RELEASED FOR PUBLICATION BY TI/OO ELECTRONICS CORPORATION. ALL RIGHTS RESERVED. TYPHOON ELECTRONICS</small>		DWN/DESSINE: ZIMAR2001 F. JODON CDR/VERIFIE: ZIMAR2001 J. LALANGE	tyco Electronics	TYCO ELECTRONICS France SAS BP 39, 95301 CERGY-PONTOISE Cedex
DIMENSIONS: mm 	TOLERANCES UNLESS OTHERWISE SPECIFIED: (TOLERANCES NON SPECIFIEES): 1. PLS DEC ±.05 2. PLS DEC ±0.2 3. PLS DEC ±.1 4. PLS DEC ±.05 FINISHES: *4*	APVD/APPROUVE: ZIMAR2001 IP PRODUCT SPEC: 108-15308 SPEC. PRODUIT: 108-15308 APPLICATION SPEC: 411-15629 WEIGHT: 2.3g MASSE APPROX: 2.3g	NAME/TITRE: MOS SOCKET HOUSING 16 POS. OR 8 POS. + 4 SHORT CIRCUIT PORTE-CLIPS MOS 16 A 8 VOIES SIZE/FORMAT: A1 CASE CODE/DRAWING NO: 00779 INCL. PLAN: 953892	RESTRICTED TO RESERVE A CUSTOMER DRAWING /PLAN CLIENT
MATERIAL/MATIERE: SEE TABLE (voir tableau) FINISH/FINITION: SEE TABLE (voir tableau)		WEIGHT: 2.3g MASSE APPROX: 2.3g	SCALE: 5:1 SACHELLE: 5:1	SHEET: 1 OF 1 FEUILLE: 1 DE 1

X-ON Electronics

Largest Supplier of Electrical and Electronic Components

Click to view similar products for [Automotive Connectors](#) category:

Click to view products by [TE Connectivity](#) manufacturer:

Other Similar products are found below :

[003-018-000](#) [60403001](#) [60993906-B](#) [M902-2131](#) [M902-2161](#) [72.330.1035.1](#) [73.353.4028.0](#) [F119300-B](#) [F166900](#) [F258300-B](#) [F358300-B](#)
[F407400](#) [F444110](#) [F487000](#) [F509500B-B](#) [827153-1](#) [8N1515-32-24P](#) [9-1326729-8](#) [925474-1](#) [928905-1](#) [964562-4](#) [968782-1](#) [GT17SA-8DS-](#)
[HU](#) [98891-1012](#) [98947-1016](#) [12004147](#) [12004475-L](#) [12010290](#) [12010309-B](#) [12015454](#) [12020219-B](#) [12020308](#) [12041318-B](#) [12052225-L](#)
[12052466](#) [12059125](#) [12064869](#) [12004327-B](#) [12010503-B](#) [12015308](#) [12015384](#) [12015909](#) [1-21030-1](#) [12041254](#) [12041318](#) [12047946-B](#)
[12047957](#) [12047957-L](#) [12059473](#) [12066261](#)