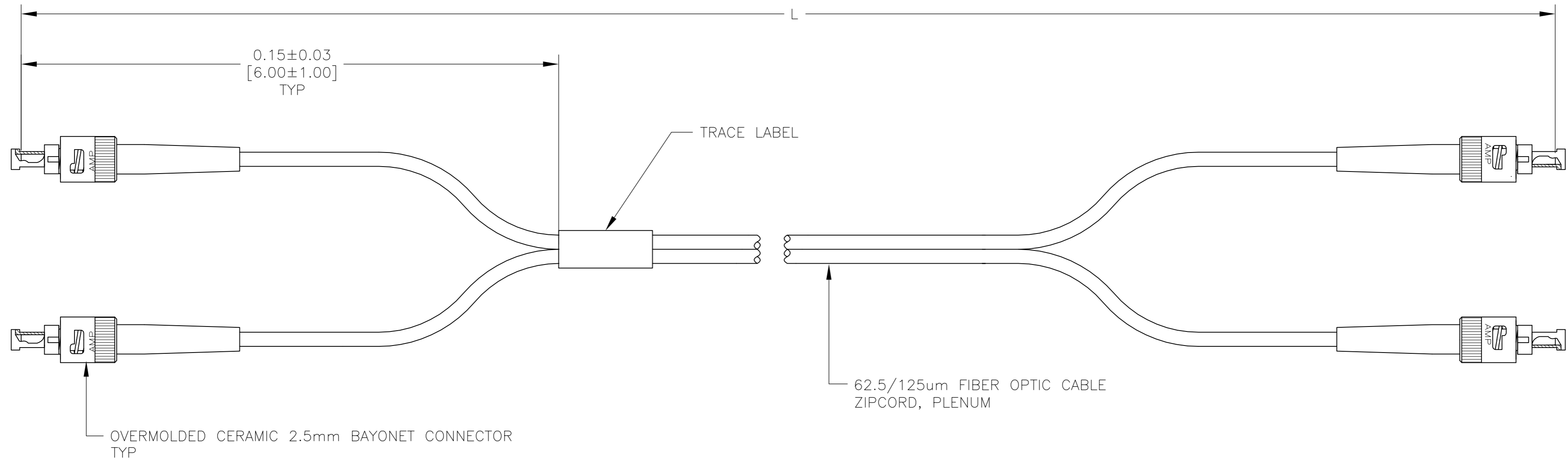


THIS DRAWING IS UNPUBLISHED. RELEASED FOR PUBLICATION
 © COPYRIGHT BY TYCO ELECTRONICS CORPORATION. ALL RIGHTS RESERVED.

LOC	DIST	REVISIONS			
P	LTR	DESCRIPTION	DATE	DWN	APVD
CE	16	A1	ADD -5,1-5,3-0,6-0	29DEC09	BB JD



1. MAXIMUM CONNECTOR INSERTION LOSS IS 0.5dB PLUS CABLE ATTENUATION OF 1.5dB/km AT 1300nm (SEE TABLE)
2. PRODUCT AND PROCESSING MUST MEET REQUIREMENTS OF THE TYCO ELECTRONICS STANDARD 230-702

MAX IL (dB)	L METERS [INCHES]	PART NUMBER
0.65	100.0±1.00 [3937.0±39.0]	9-5503959-9
1.19	457.20±4.57 [18000.0±180.0]	9-5503959-8
1.05	365.76±3.65 [14400.0±144.0]	9-5503959-7
0.91	274.32±2.74 [10800.0±108.0]	9-5503959-6
0.77	182.88±1.82 [7200.0±72.0]	9-5503959-5
0.64	91.44±0.91 [3600.0±36.0]	9-5503959-4
0.59	60.00±0.60 [2362.0±24.0]	6-5503959-0
0.55	30.00±0.30 [1181.0±12.0]	3-5503959-0
0.52	15.00±0.15 [590.6±6.0]	1-5503959-5
0.52	10.00±0.15 [394.0±6.0]	5503959-7
0.51	8.00±0.15 [315.0±6.0]	5503959-6
0.51	5.00±0.08 [196.9±3.0]	5503959-5

THIS DRAWING IS A CONTROLLED DOCUMENT.		DWN C.S.VASU 01 FEB 06	Tyco Electronics Corporation Harrisburg, PA 17105-3608	
DIMENSIONS: METERS [INCHES]		CHK J.DUNCAN 01 FEB 06	NAME CABLE ASSEMBLY, FIBER OPTIC, 62.5/125um LDD PLENUM, OVERMOLDED CERAMIC BAYONET, OPTIMATE	
TOLERANCES UNLESS OTHERWISE SPECIFIED:		APVD J.DUNCAN 01 FEB 06	SIZE A2	
0 PLC ± - 1 PLC ± - 2 PLC ± - 3 PLC ± - 4 PLC ± - ANGLES ± -		PRODUCT SPEC APPLICATION SPEC	CAGE CODE 00779	DRAWING NO C=5503959
MATERIAL	FINISH	WEIGHT	SCALE NTS	SHEET 1 OF 1
-	-	-	REV A1	RESTRICTED TO
CUSTOMER DRAWING				

5503959

X-ON Electronics

Largest Supplier of Electrical and Electronic Components

Click to view similar products for [Fibre Optic Cable Assemblies](#) category:

Click to view products by [TE Connectivity](#) manufacturer:

Other Similar products are found below :

[7-21002-9](#) [760-1518](#) [FA04390-50-M-72-LC-N](#) [MLB 501 V RED](#) [MLB 501 V YELLOW](#) [1-3636-600-5208](#) [2061529-7](#) [1-6693182-0](#)
[1754898-1](#) [21055-6](#) [FXBSCSCE2LM002](#) [3000005](#) [3-21053-2](#) [MLB 200/1 V BLACK](#) [MLB 2001 V RED](#) [MLB 2001 V YELLOW](#) [MLB 501](#)
[V BLACK](#) [5492011-6](#) [106284-7000](#) [5492011-5](#) [5492011-8](#) [5492011-9](#) [8-21007-5](#) [2123524-2](#) [2123524-1](#) [106386-4447](#) [DFSM-SCSC-2M](#)
[2123909-4](#) [2123909-8](#) [106273-0629](#) [2125046-1](#) [2821236-3](#) [2821310-2](#) [2821310-3](#) [2821313-4](#) [FX2ERLNLNSNM0.5](#) [CF-980062-074](#) [CF-](#)
[901200-394](#) [CF-980062-073](#) [CF-980062-071](#) [CF-980062-075](#) [CF-980062-072](#) [17-300310-100](#) [2821236-2](#) [2821313-1](#) [G-FC-FC-S-002.0-DX-](#)
[A-18-Y](#) [G-E2A-E2A-S-003.0-SX-A-18-Y](#) [956-322-502214](#) [FA04474](#) [1083665](#)